

SPECIFICATIONS

- 1.Voltage rating: 250V AC, DC
- 2.Current rating: 3A, AC, DC
- 3.Withstanding Voltage: 1000V AC/minute
- 4.Insulation resistance:800M min
- 5.Temperature range: -25 ° C-+85 ° C
- 6.Contact resistance: 20m max

WAFER

Housing Material: Nylon UL 94V0

Pin Material: Phosphor Bronze or Brass

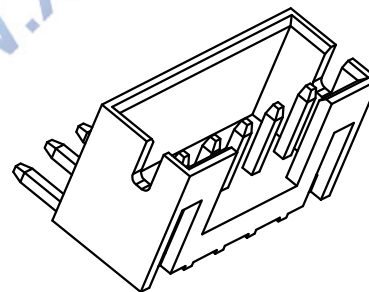
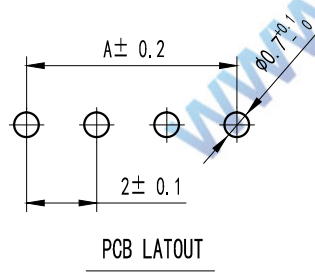
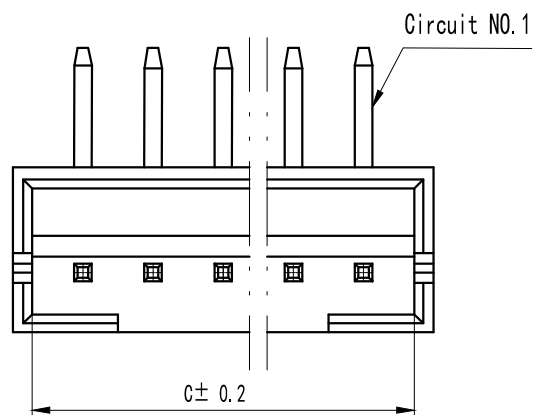
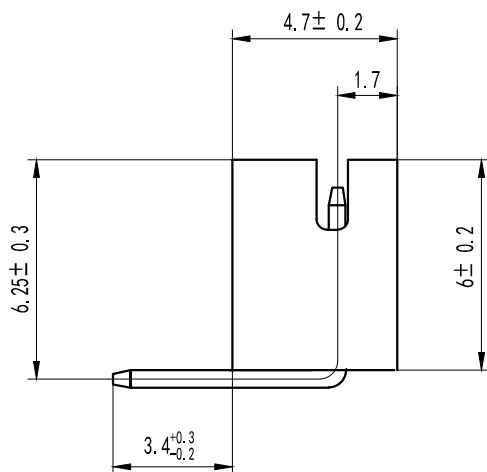
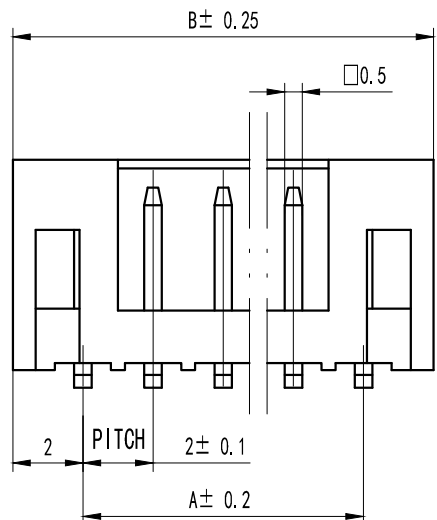
Contact Area Plating: Plated Tin or Plated Gold

Mates with :P2010 series Housing

Poles:02-18P

Part No.: M2010R-xx-N0

Pin位数



Circuits	Dimension mm			Circuits	Dimension mm		
	A	B	C		A	B	C
2	2.00	6.00	4.90	11	20.00	24.00	22.90
3	4.00	8.00	6.90	12	22.00	26.00	24.90
4	6.00	10.00	8.90	13	24.00	28.00	26.90
5	8.00	12.00	10.90	14	26.00	30.00	28.90
6	10.00	14.00	12.90	15	28.00	32.00	30.90
7	12.00	16.00	14.90	16	30.00	34.00	32.90
8	14.00	18.00	16.90	17	32.00	36.00	34.90
9	16.00	20.00	18.90	18	34.00	38.00	36.90
10	18.00	22.00	20.90	-	-	-	-

				TOLERANCE UNLESS OTHERWISE		DRAWN	CK tan	XFCN兴飞连接器有限公司 CONNECTORS XFCN CONNECTORS CO., LTD.		SHEET	1/1
				X.	±0.30	X°	±5°			CHKD	DATE
				.X	±0.20	.X°	±2°	APPD	PRODUCT NAME	2.00mm Crimp Style Connectors	
				.XX	±0.08	.XX°	±1°	VIEW	PART. NO.	M2010R-xx-N0	
				.XXX	±0.03	.XXX°	±0.5°			UNITS	mm
				MODIFICATION		DATE			SCALE	1:1	
										DWG NO.	009