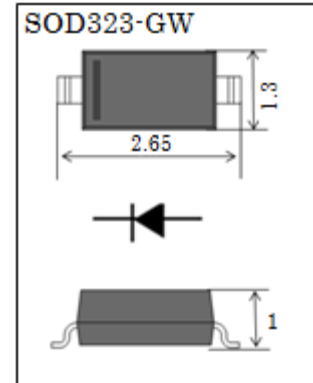


- ◇ General purpose diodes
- ◇ Fast switching devices
- ◇ **SOD-323** Micro SMD package
- ◇ RoHS compliant / Green EMC
- ◇ Matte Tin (Sn) Lead finish
- ◇ Cathode Band / Device marking

Device Marking Code	
BAV19WS	A8
BAV20WS	T2
BAV21WS	T3



※Mark: refer to Device Marking

Maximum Ratings (Ta = 25 °C)

Symbol	Parameter	BAV19WS	BAV20WS	BAV21WS	Units
V_{RM}	Non-Repetitive Peak Reverse Voltage	120	200	250	V
V_{RRM}	Repetitive Peak Reverse Voltage	100	150	200	V
$V_{R(RMS)}$	RMS Reverse Voltage	71	106	141	V
I_O	Average Rectified Output Current	200			mA
I_{FSM}	Non-Repetitive Peak Forward Surge Current(@t=1uS)	4.0			A
P_D	Power Dissipation	250			mW
T_J	Junction Temperature	150			°C
T_{STG}	Storage Temperature	-65 to +150			°C

Electrical Characteristics (Ta = 25 °C)

Symbol	Parameter	Test Conditions		Min	Max	Units
V_F	Forward Voltage	$I_F=100mA$ $I_F=200mA$			1 1.25	V
I_R	Reverse current	$V_R=100V$ $V_R=150V$ $V_R=200V$	BAV19WS BAV20WS BAV21WS		0.1 0.1 0.1	uA
Ctot	Total capacitance	$V_R=0V, f=1MHz$			5	pF
trr	Reverse recovery time	$I_F=I_R=30mA, I_{rr}=0.1*I_R, R_L=100\Omega$			50	ns

Characteristics Curves

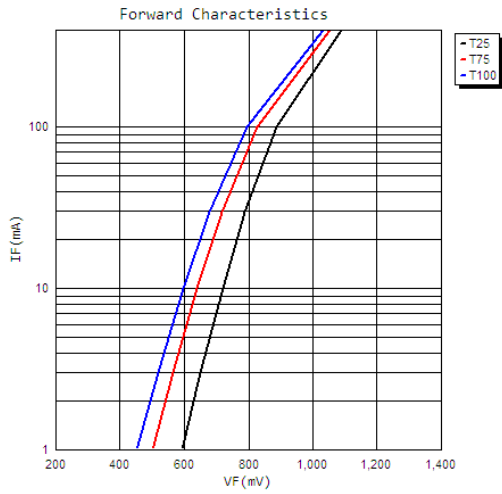


Fig.1 Forward current(IF) vs Forward voltage(VF)

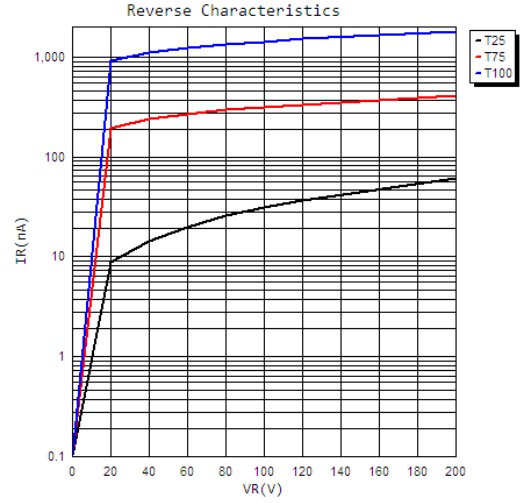


Fig.2 Reverse current(IR) vs Reverse voltage(VR)

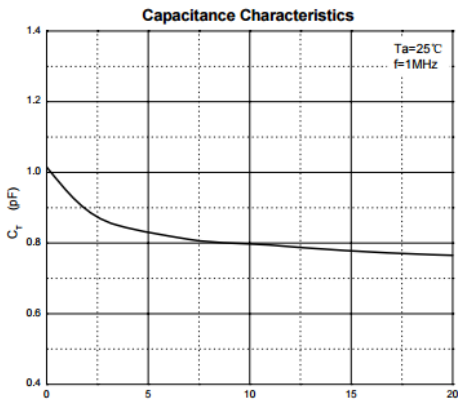


Fig.3 Capacitance vs Reverse voltage(VR)

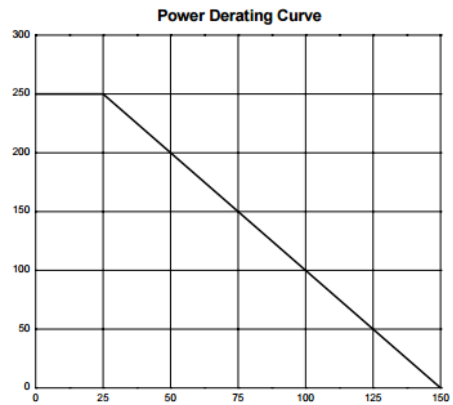


Fig.4 Power Derating Curve

Device	Package	Shipping	Tape wide	Emboss pitch	Tape specification	Notes
BAV19WS- BAV21WS	SOD-323	Tape & Reel 3000pcs /7" Reel	8 mm	4 mm	Conductive	

Package Dimensions
