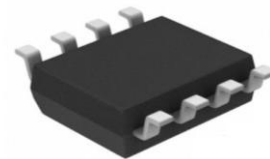


Low Capacitance TVS Diode Array**APPLICATIONS**

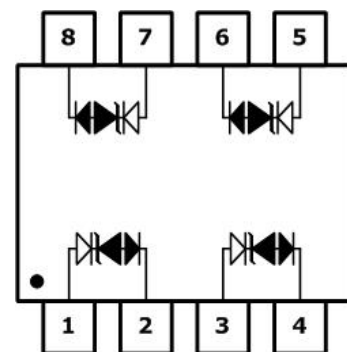
- ◆ 10/100/1000 Ethernet
- ◆ WAN/LAN Equipment
- ◆ Test & Measurement Equipment
- ◆ Switching Systems
- ◆ Instrumentation
- ◆ Audio/Video Inputs

SOP8**IEC COMPATIBILITY**

- ◆ IEC61000-4-2 (ESD) $\pm 15\text{kV}$ (air), $\pm 8\text{kV}$ (contact)
- ◆ IEC61000-4-4 (EFT) 40A (5/50 η s)
- ◆ IEC61000-4-5 (Lightning) 24A (8/20 μ s)

FEATURES

- ◆ 400 Watts Peak Pulse Power per Line ($t_p=8/20\mu\text{s}$)
- ◆ Protects two line pairs (four lines)
- ◆ Low capacitance
- ◆ RoHS Compliant

**PIN CONFIGURATION****MECHANICAL CHARACTERISTICS**

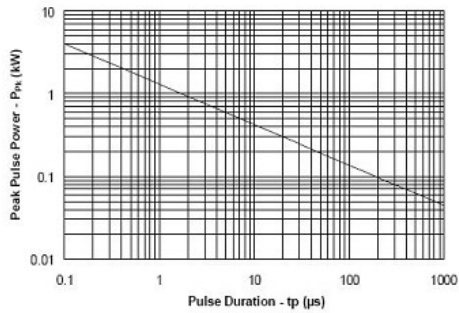
- ◆ JEDEC SO-08 Package
- ◆ Molding Compound Flammability Rating : UL 94V-0
- ◆ Weight 70 Milligrams (Approximate)
- ◆ Reel Size : 7 inch
- ◆ Lead Finish : Lead Free

Low Capacitance TVS Diode Array

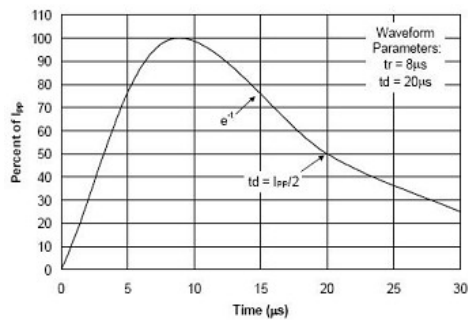
MAXIMUM RATINGS (@ 25°C Unless Otherwise Specified)			
PARAMETER	SYMBOL	VALUE	UNITS
Peak Pulse Power (tp=8/20μs waveform)	P _{PP}	400	Watts
Lead Soldering Temperature	T _L	260 (10 sec.)	°C
Operating Temperature Range	T _J	-55 ~ 150	°C
Storage Temperature Range	T _{STG}	-55 ~ 150	°C

ELECTRICAL CHARACTERISTICS PER LINE (@ 25°C Unless Otherwise Specified)									
PART NUMBER	DEVICE MARKING	V _{RWM}	V _B	I _T	V _C	V _C		I _R	C _T
		(V) (max.)	(V) (min.)	(mA)	@5A (max.)	(max.)	(@A)	(μA) (max.)	(pF) (typ.)
SLVU2.8-4	SLVU 2.8-4	2.8	3.0	1	8.5	15	24	1	3

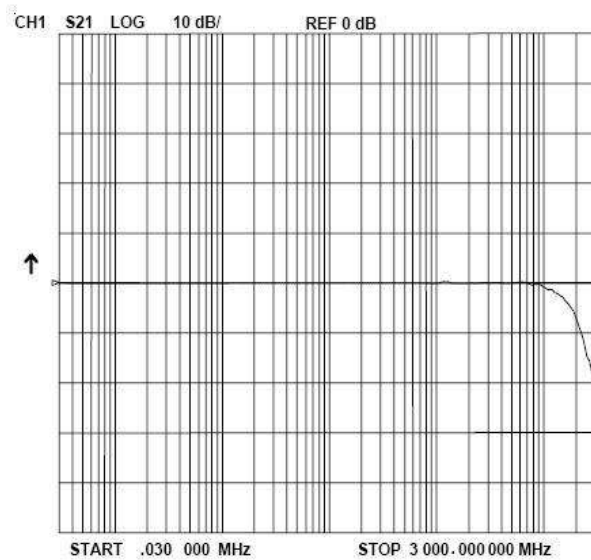
Non-Repetitive Peak Pulse Power vs. Pulse Time

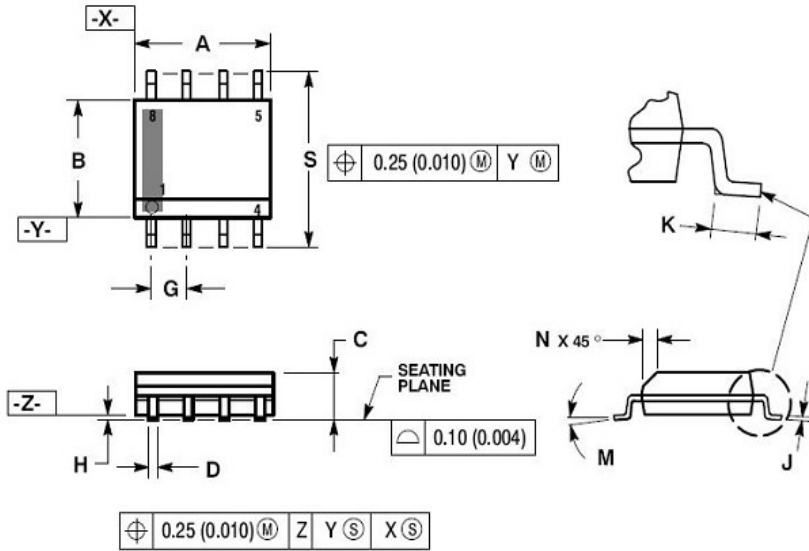


Pulse Waveform



Insertion Loss S21



SO-8 PACKAGE OUTLINE & DIMENSIONS


DIM	MILLIMETERS		INCHES	
	MIN	MAX	MIN	MAX
A	4.80	5.00	0.189	0.197
B	3.80	4.00	0.150	0.157
C	1.35	1.75	0.053	0.069
D	0.33	0.51	0.013	0.020
G	1.27 BSC		0.050 BSC	
H	0.10	0.25	0.004	0.010
J	0.19	0.25	0.007	0.010
K	0.40	1.27	0.016	0.050
M	0°	8°	0°	8°
N	0.25	0.50	0.010	0.020
S	5.80	6.20	0.228	0.244

*** SOLDERING FOOTPRINT**
