

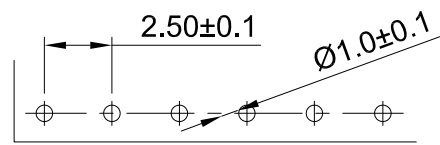
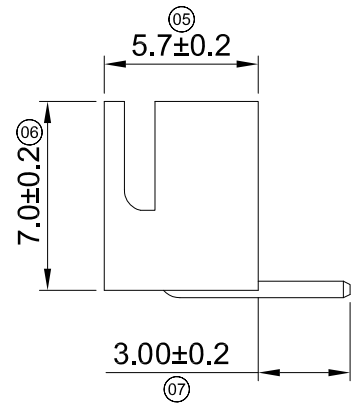
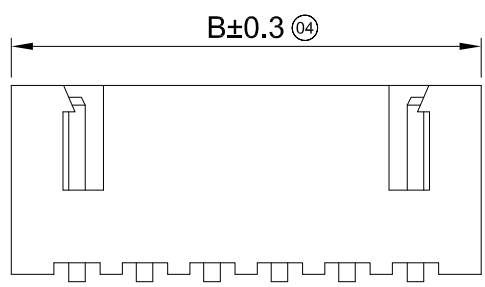
Specifications :

- Voltage rating: 250V AC / DC
- Current rating: 3A AC / DC
- Withstanding voltage: 1000V AC/minute
- Temperature range: -25°C~+85°C
- Insulation resistance: ≥1000MΩ
- Contact resistance: ≤10mΩ
- After environmental testing: ≤20mΩ

X8821 W R -XX S - X SN
 ① ② ③ ④ ⑤ ⑥ ⑦

- ① Series No.
- ② Category: W-WAFER
- ③ Welding Board Angle: V-180° ; R-90°
- ④ Row No.-Pin No.: XX-Single Row
- ⑤ Plug the Pin & Special No.: S-No Positioning
- ⑥ Material: N0 -PA66 94V-0 46-PA46 94-V0
- ⑦ Plating Category: SN-Bright Tin Plating (70u")

Poles	Dimensions (mm)	
	A	B
02	2.50	7.50
03	5.00	10.00
04	7.50	12.50
05	10.00	15.00
06	12.50	17.50
07	15.00	20.00
08	17.50	22.50
09	20.00	25.00
10	22.50	27.50
11	25.00	30.00
12	27.50	32.50
13	30.00	35.00
14	32.50	37.50
15	35.00	40.00
16	37.50	42.50
17	40.00	45.00
18	42.50	47.50
19	45.00	50.00
20	47.50	52.50



Recommand PCB Layout

X8821WR-XXS-46SN	Nylon 46 UL 94V-0	Brass	Tin-Plated	X8821H
X8821WR-XXS-N0SN	Nylon 66 UL 94V-0			
PART NO	Material	Material(Pin)	Finish(Pin)	Suitable XKB Terminal

For and on behalf of
XKB INDUSTRIAL PRECISION CO., LIMITED
 香港星坤工業精密有限公司

MARK	DESCRIPTION	DATE	REVISED	APPROVED	UNSPECIFIED TOLERANCES
△ X					ANGULAR ±5°
△ X					L ≤ 4 ±0.2
△ X					4 < L ≤ 16 ±0.3
					16 < L ≤ 63 ±0.4
					L > 63 ±0.5

DSND	DATE	SCALE: N/A	MODEL TYPE: X8821WR-XXS-46SN
DWN	DATE	VIEW:	PART NO.:
CHKD	DATE	UNIT: mm	2.50 mm Crimp style Connector
APPD	DATE	SIZE: A4	DWG NO.:

REVISIONS			UNSPECIFIED TOLERANCES			XKB INDUSTRIAL PRECISION CO., LIMITED			WEIGHT	SHEET	REVISION
									1.0g	1/1	A0

Authorized Signature(s)