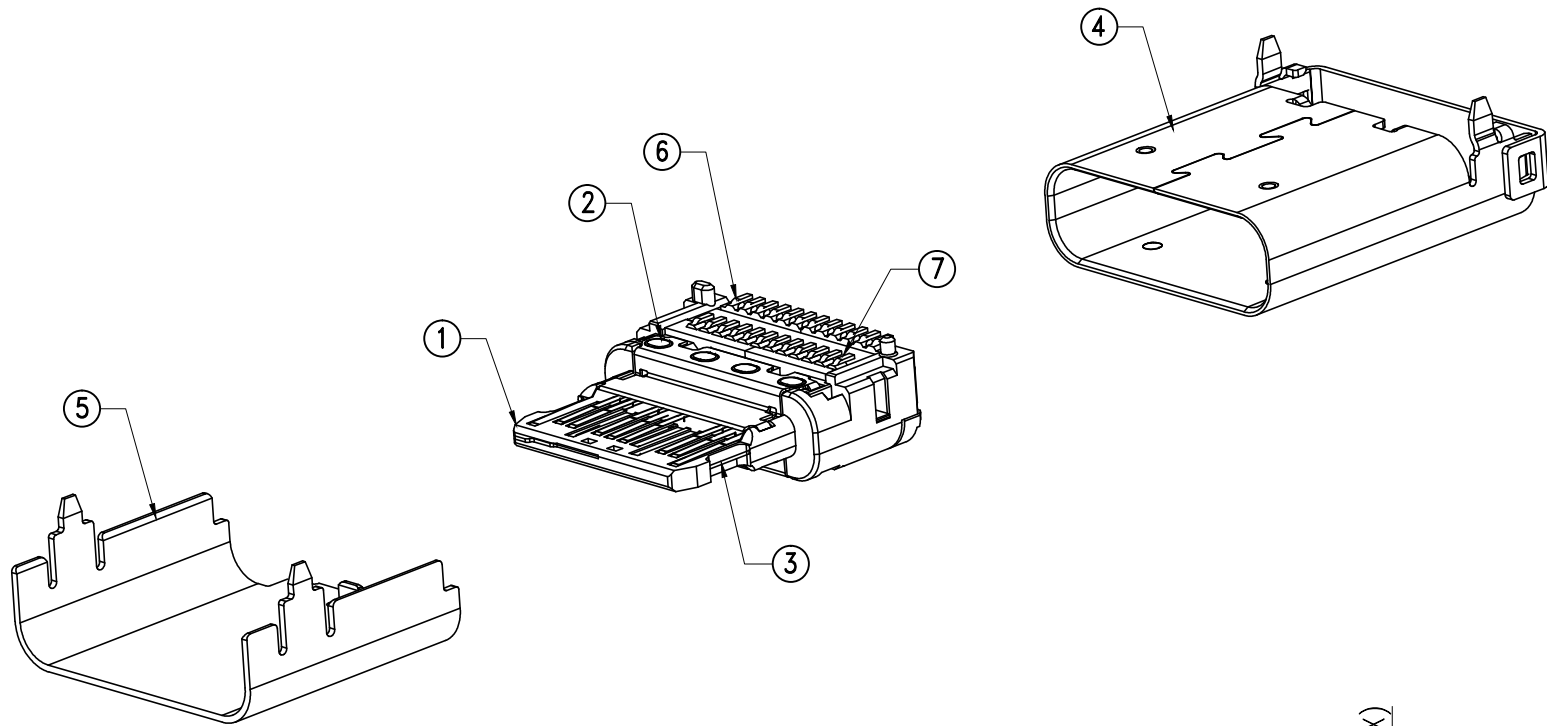
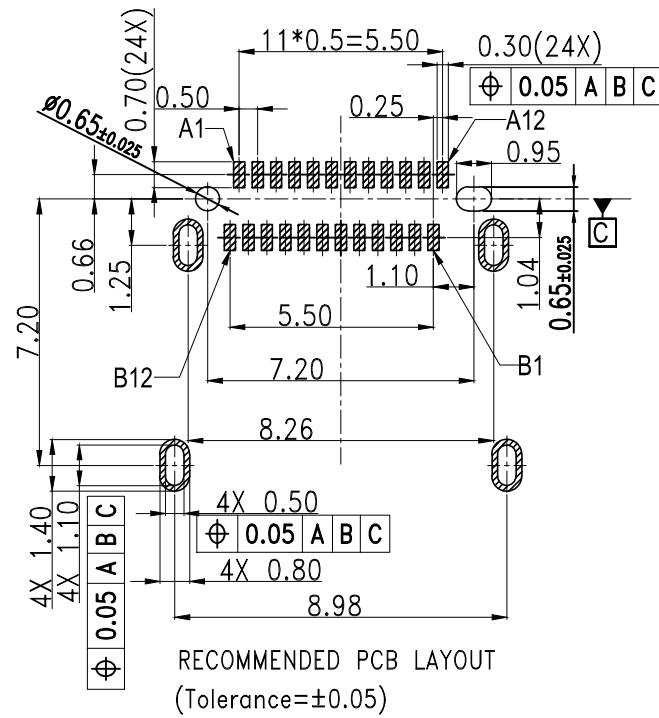


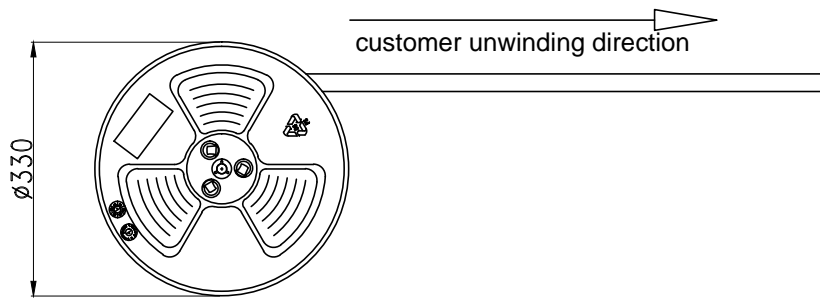
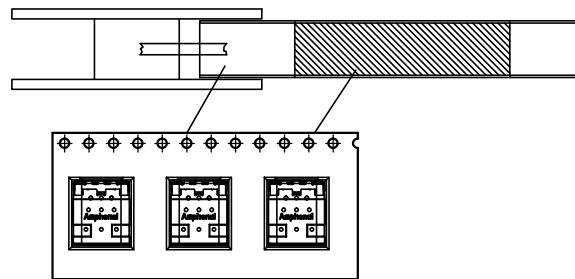
REV.	ECN.NO.	MODIFY.CONTENT	DATE
A		NEW RELEASE	04/28/17



EXPLODE VIEW (SCALE N/A)



RECOMMENDED PCB LAYOUT
(Tolerance=±0.05)



PACK DIRECTION

ITEM	DESCRIPTION	Q'TY	MATERIAL	FINISH
7	BOTTOM TERMINAL	1	C7025 TM03	CONTACT:30u" AU MIN; SOLDER TAIL:100u" MATTE TIN MIN;
6	TOP TERMINAL	1	C7025 TM03	CONTACT:30u" AU MIN; SOLDER TAIL:100u" MATTE TIN MIN;
5	OUTER SHELL	1	SUS304-1/2H	SOLDER NICKEL: 50U" MIN
4	MAIN SHELL	1	SUS304-1/2H	SOLDER NICKEL: 50U" MIN
3	GND SHEET	1	SUS301-EH	SOLDER NICKEL: 50U" MIN
2	EMC	2	SUS304-1/2H	SOLDER NICKEL: 50U" MIN
1	MAIN HOUSING	1	PA46	BLACK

BILL OF MATERIAL

GENERAL TOLERANCE	FILE.NO.	12401610E4#2A	PART.NO.	12401610E4#2A	DRAWN	Allan.Lai
x.±0.50	REV.	A	TITLE	USB TYPE C CONNECTOR	CHECKED	Weison.lu
.x±0.38	SIZE	A4	SHEET	2 OF 2	APPROVED	
.xx±0.25						

MATERIAL	SCALE	1:1	
DATE	04/28/17	UNIT	mm

Amphenol Shouhmin Industry