

HY602403

Electrical Specification @25°C

RoHS Compliant (PB Free)

Isolation: 1500Vrms (Primary to Secondary)

OCL: 350uH Minimum @100KHz 100mV with 8mADC

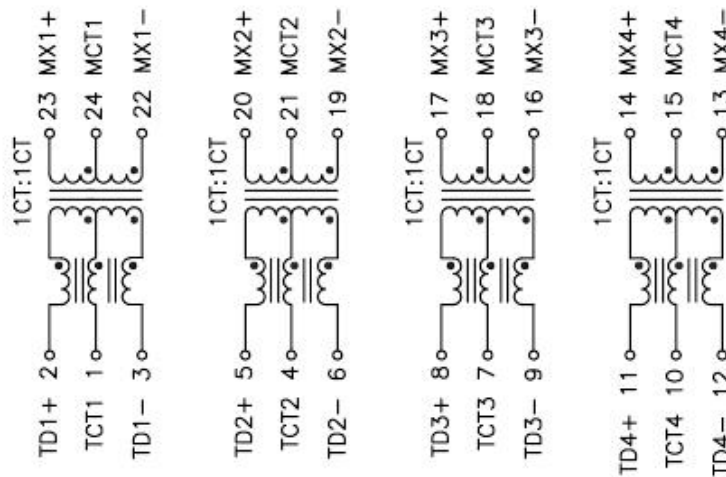
Insertion Loss: -1.1dB Maximum @0.1MHz / -1.0dB Maximum @100MHz
-2.0dB Maximum @125MHz

Return Loss: -18dB Minimum @30MHz / -12dB Minimum @60MHz
-12dB Minimum @80MHz / -10dB Minimum @100MHz

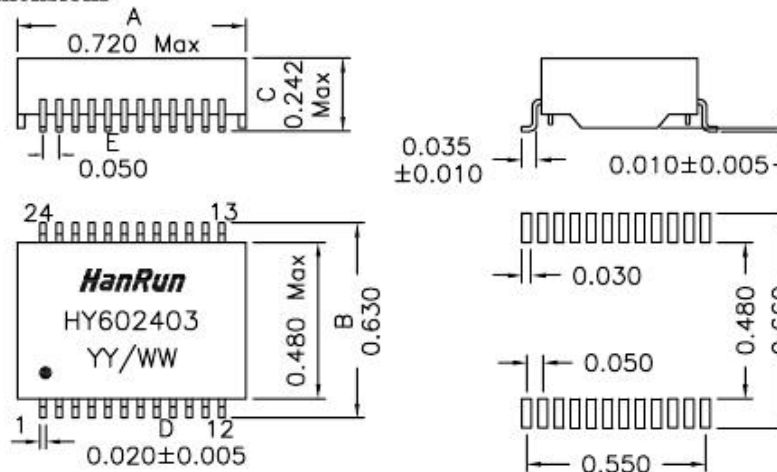
Crosstalk: -40dB Minimum @30MHz / -33.5dB Minimum @60MHz / -30dB Minimum @100MHz

Current Capability: 800mA

Schematics



Mechanical Dimensions



(SUGGESTED PCB PAD LAYOUT)

Dimensions in inches

Unless otherwise specified, Tolerance: .xxx ±0.010

REV.B