

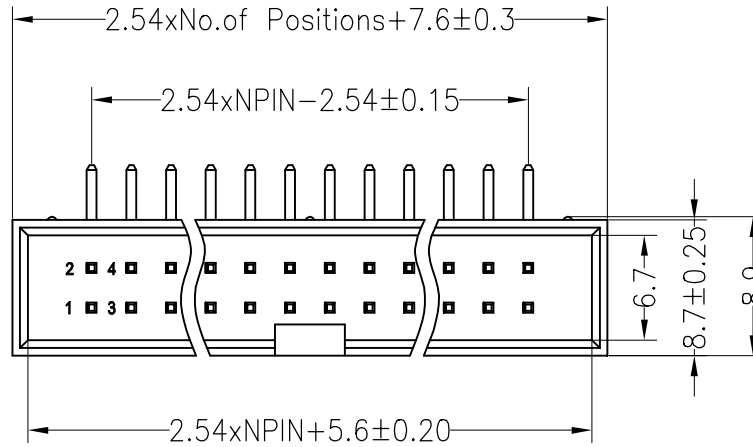
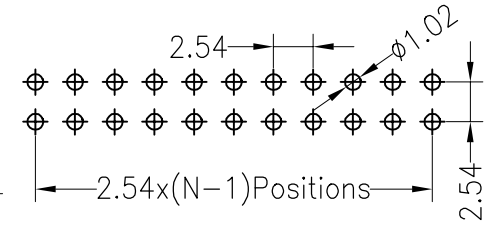


SPECIFICATIONS

Rated Current:3.0AMP
 Contact Resistance:20mΩ Max
 Withstand Voltage:1000V AC/DC
 Insulation Resistance:1000MΩ Min
 Operation Temperature:-40°c to +105°c

Contact Material:Brass
 Contact Plating:Au or Sn Over Ni
 Insulator Material:Polyester(UL94V-0)
 Standard: PA6T
 Max.Processing Temp: 230°C for 30-60 seconds
 (260°C for 10 seconds)

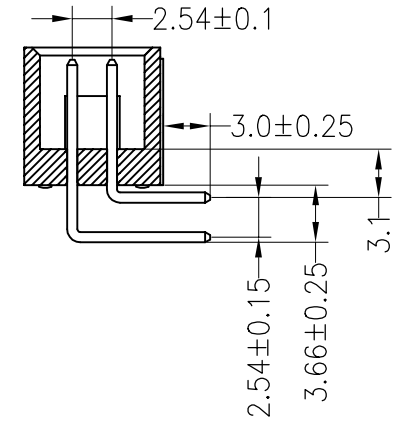
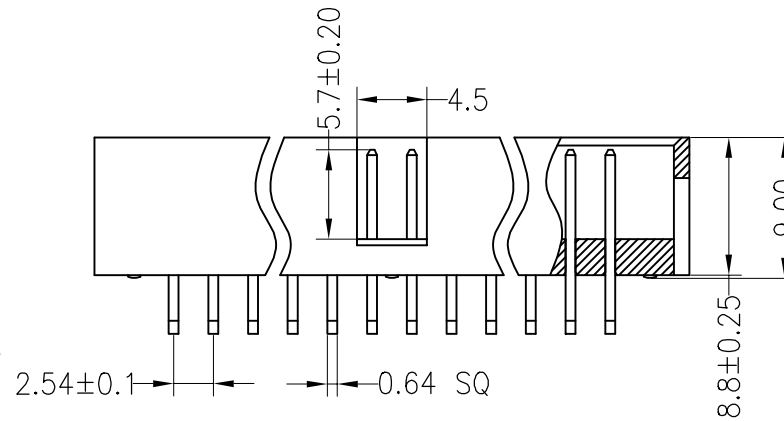
Recommended P.C.B Layout(Top Side)
 (PCB BOARD TOLERANCE±0.05)



Ordering Information

3210 XX R XX X B K00 X 02

- No.of Pins: 6--64
- Contact Plating: G0:Gold Flash, G1:3U" Gold, G2:5U" Gold, G3:10U" Gold, G4:15U" Gold, G5:30U" Gold, S0:Gold Flash/Tin, SN:Tin
- Insulator Material Option: A=BK-PBT, B=BK-PA66, C=BK-PA6T, D=BK-PA46, E=BK-PA9T, F=BK-LCP
- Packing: T=Tube, A=Tray, P=Tube+Cap



OPERATION		DRAW	YiYuSheng	17.06.01	SCALE	FIT
X.X	±0.30					
X.XX	±0.20	CHECK			UNIT	mm
X.XXX	±0.10					
Angle	±3°	APPROVE			SHEET	1/1
DIM	TOL					

深圳市连盛精密连接器有限公司

PART NO. **BH-00080**
 TITLE: 2.54mm Box Header H8.8mm 90° L=14.8/L=19.8 **10P**

A	A	2017.06.01	NEW DRAWING	
REV	DATE	MODIFICATION DESCRIPTION		CHANGE