

RoHS

SPECIFICATIONS

Rated Current:3.0AMP

Contact Resistance:20mΩ Max

Withstand Voltage:1000V AC/DC

Insulation Resistance:1000MΩ Min

Operation Temperature:-40°C to +105°C

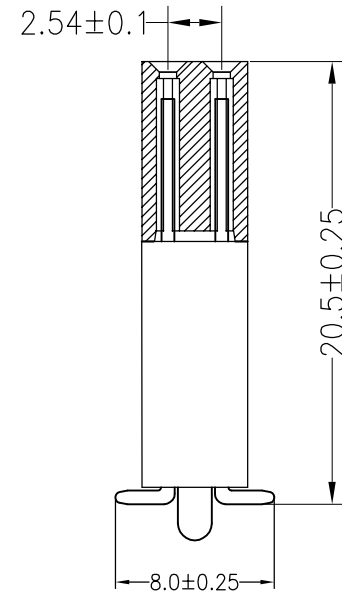
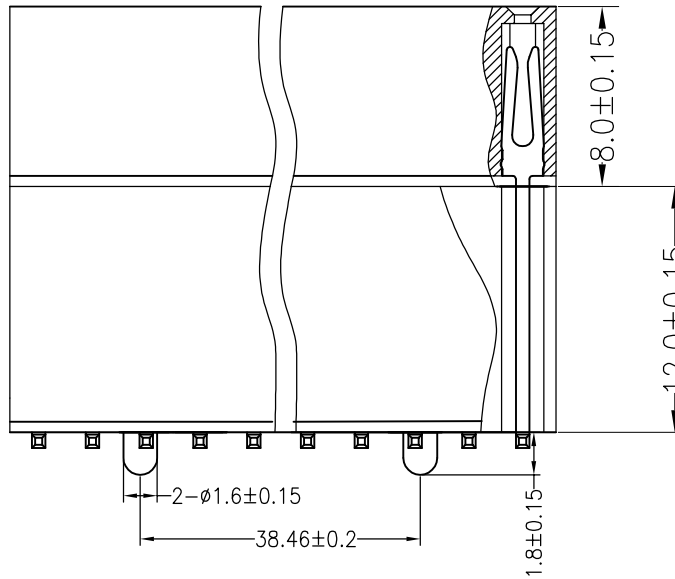
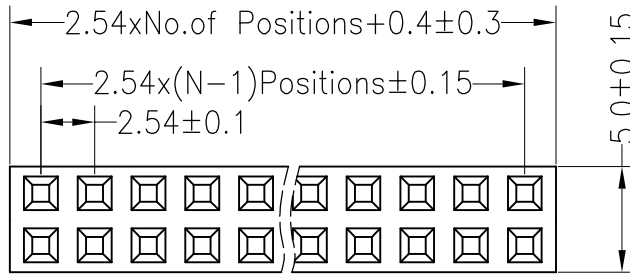
Contact Material:Brass

Contact Plating:Au Over Ni

Insulator Material:Polyester(UL94V-0)

Standard: PA6T

Max.Processing Temp: 230°C for 30-60 seconds
(260°C for 10 seconds)



				OPERATION		DRAW		SCALE	FIT	深圳市连盛精密连接器有限公司	
				X.X	±0.30			UNIT	mm		
				X.XX	±0.20	CHECK		SIZE	A4	PART NO.	
				X.XXX	±0.10			SHEET	1/1	FH-00486	
A0	2012.10.08	NEW DRAWING		Angle	±3'	APPROVE		PROJ.	◆	TITLE:	
REV	DATE	MODIFICATION DESCRIPTION		DIM	TOL					2.54FH 2H=8.0+12.0 2x20pin 180° W5.0mm SMT 带柱 直径1.6 高1.8	