

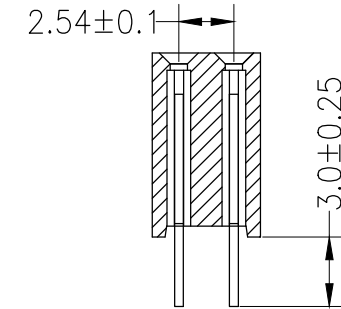
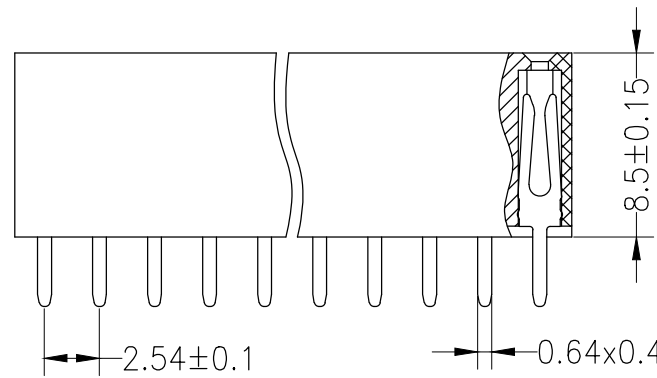
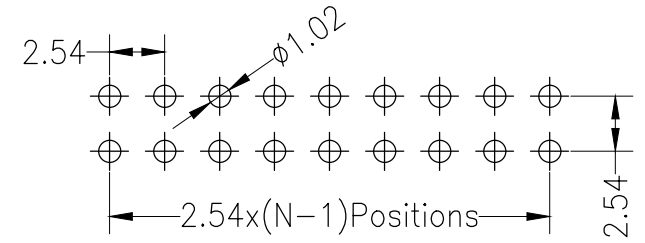
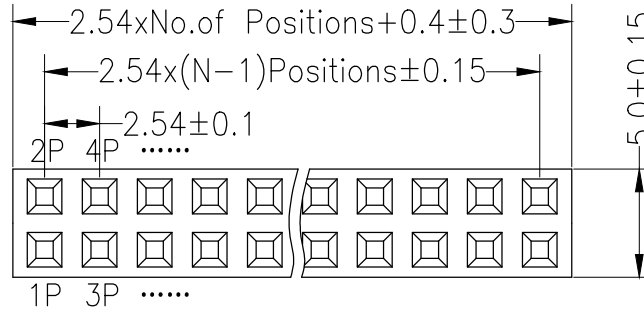
RoHS

SPECIFICATIONS

Rated Current:3.0AMP  
 Contact Resistance:20mΩ Max  
 Withstand Voltage:1000V AC/DC  
 Insulation Resistance:1000MΩ Min  
 Operation Temperature:-40°c to +105°c

Contact Material:Brass  
 Contact Plating:Au Over Ni  
 Insulator Material:Polyester(UL94V-0)  
 Standard: PA6T  
 Max.Processing Temp: 230°C for 30-60 seconds  
 (260°C for 10 seconds)

Recommended P.C.B Layout(Top Side)  
 (PCB BOARD TOLERANCE±0.05)



				OPERATION		DRAW	SCALE	FIT	深圳市连盛精密连接器有限公司 PART NO. FH-00221 TITLE: 2.54FH H8.5 2xNpin 180° W5.0 PC3.0	
				X.X	±0.30		UNIT	mm		
						CHECK	SIZE	A4		
				X.XX	±0.20		SHEET	1/1		
A0	2012.03.28	NEW DRAWING				APPROVE	PROJ.			
REV	DATE	MODIFICATION DESCRIPTION	CHANGE	DIM	TOL					