

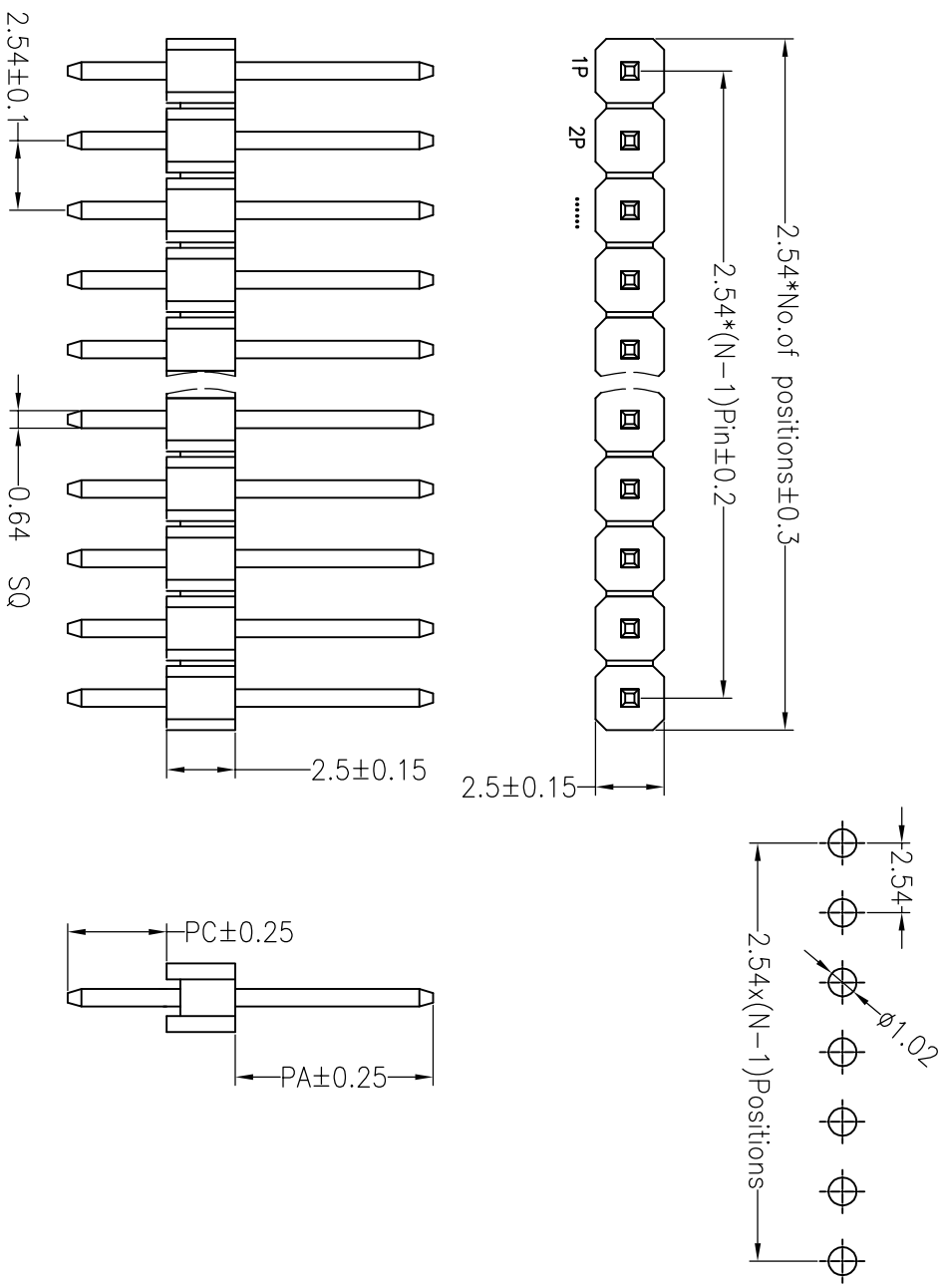
# RoHS

## SPECIFICATIONS

Rated Current:3.0AMP  
 Contact Resistance:20mΩ Max  
 Withstand Voltage:1000V AC/DC  
 Insulation Resistance:1000MΩ Min  
 Operation Temperature:-40°c to +105°c

Contact Material:Brass  
 Contact Plating:Au Over Ni  
 Insulator Material:Polyester(UL94V-0)  
 Standard: PA6T  
 Max.Processing Temp: 230°C for 30-60 seconds  
 (260°C for 10 seconds)

Recommended P.C.B Layout(Top Side)  
 (PCB BOARD TOLERANCE±0.05)



Dimension antitheses list			
ITEM	PA	PC	L
Standard	6.00	3.00	11.50
Alternate			

深圳市连盛精密连接器有限公司

OPERATION		DRAW		SCALE		FIT		PART NO.					
X.X	±0.30	X.XX	±0.20	UNIT	mm	SIZE	A4	SHEET	1/1				
Angle	±3°	APPROVE	CHECK	PROJ.	PROJ.	TITLE:	PH-00289						
DIM	TOL	APPROVE	CHECK	PROJ.	PROJ.	TITLE:	PH-00289						
REV	DATE	MODIFICATION DESCRIPTION	CHANGE	DIM	TOL	APPROVE	CHECK	PROJ.	PROJ.	TITLE:	PH-00289		
1	2012.03.28	NEW DRAWING								2.54PH H=2.5 1X40P			