

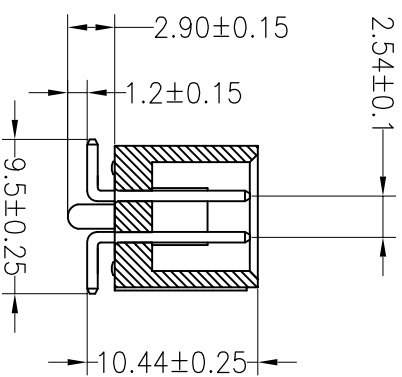
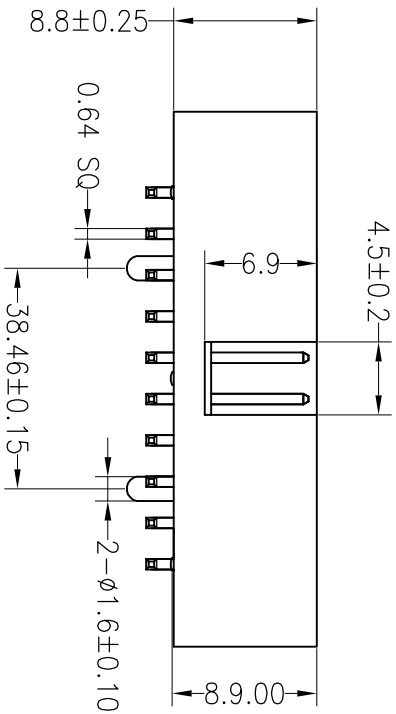
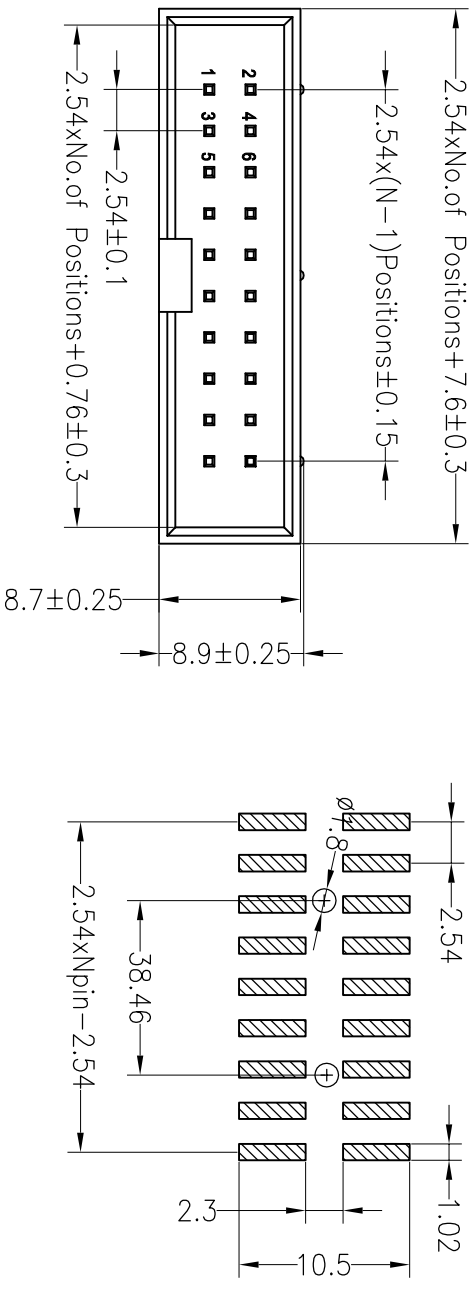
# RoHS

## SPECIFICATIONS

Rated Current: 3.0AMP  
 Contact Resistance: 20mΩ Max  
 Withstand Voltage: 1000V AC/DC  
 Insulation Resistance: 1000MΩ Min  
 Operation Temperature: -40°C to +105°C

Contact Material: Brass  
 Contact Plating: Au Over Ni  
 Insulator Material: Polyester (UL94V-0)  
 Standard: PA6T  
 Max. Processing Temp: 230°C for 30-60 seconds  
 (260°C for 10 seconds)

Recommended P.C.B Layout (Top Side)  
 (PCB BOARD TOLERANCE ±0.05)



深圳市连盛精密连接器有限公司

PART NO. BH-00105

TITLE: 2.54Box H8.8mm 40P SMT 带偏柱 直径 1.6 高2.9 两柱之间38.46

OPERATION		DRAW		SCALE		FIT	
X.X	±0.30			UNIT	mm		
A1	±0.20	CHECK		SIZE	A4		
A0	±0.10			SHEET	1/1		
REV	ANGLE	±3°	APPROVE	PROJ.			
1							

REV	DATE	MODIFICATION DESCRIPTION	CHANGE
A1	2017.12.19	NEW DRAWING	
A0	2012.03.28	NEW DRAWING	
1			