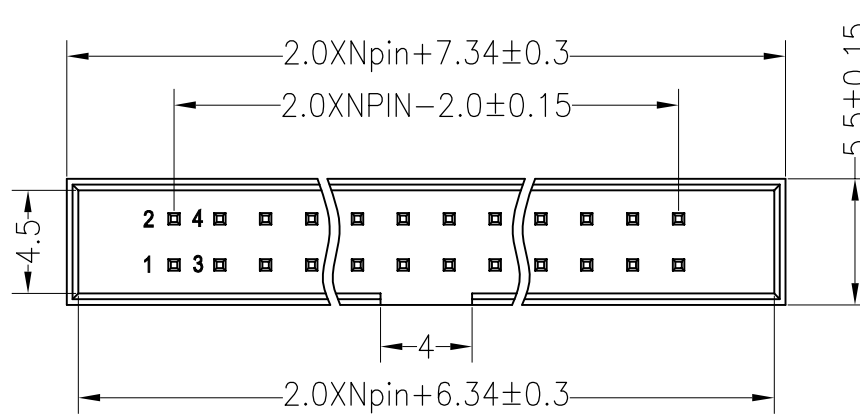


RoHS

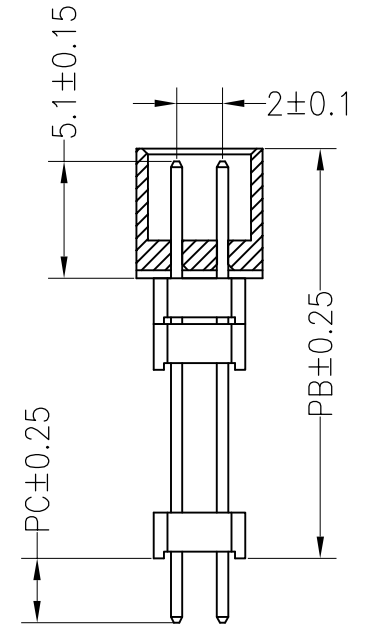
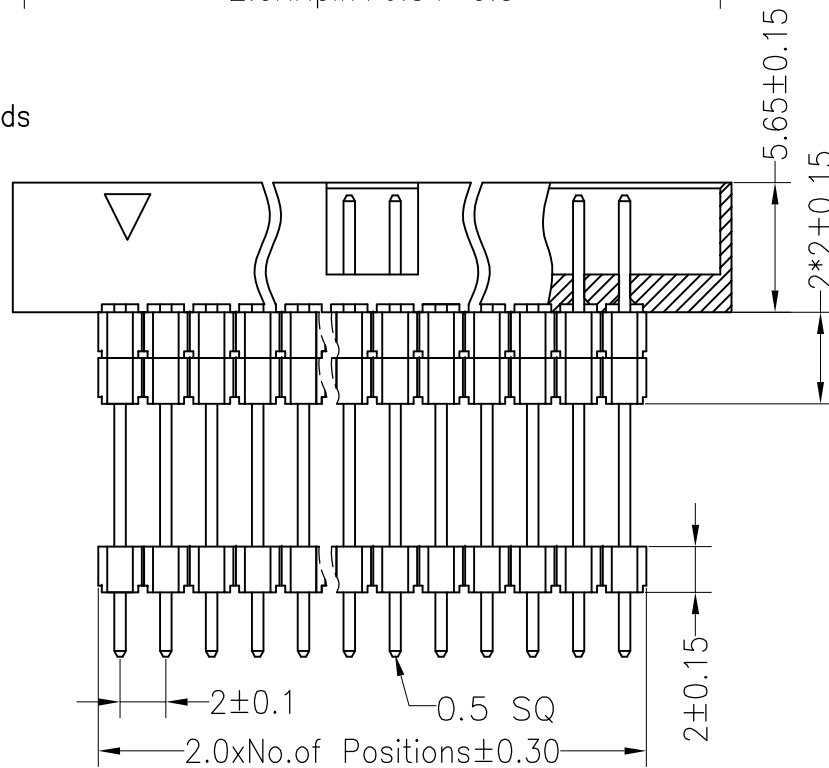
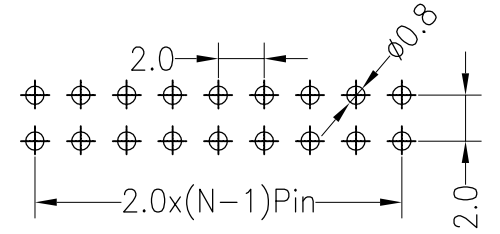
SPECIFICATIONS

Rated Current:1.5AMP  
 Contact Resistance:20mΩ Max  
 Withstand Voltage:400V AC/DC  
 Insulation Resistance:800MΩ Min  
 Operation Temperature:-40°C to +105°C

Contact Material:Brass  
 Contact Plating:Au Over Ni  
 Insulator Material:Polyester(UL94V-0)  
 Standard: PA6T  
 Max.Processing Temp: 230°C for 30-60 seconds  
 (260°C for 10 seconds)



Recommended P.C.B Layout(Top Side)  
 (PCB BOARD TOLERANCE±0.05)



| Dimension antitheses list |       |      |
|---------------------------|-------|------|
| ITEM                      | PB    | PC   |
| Alternate                 | 21.25 | 2.80 |

|     |      |                          |        |           |       |         |  |       |     |     |  |  |  |
|-----|------|--------------------------|--------|-----------|-------|---------|--|-------|-----|-----|--|--|--|
|     |      |                          |        | OPERATION |       | DRAW    |  | SCALE |     | FIT |  | 深圳市连盛精密连接器有限公司<br>PART NO. BH-00112<br>TITLE: 2.0Box 4H=5.65+3X2.0 30P DIP PB21.25 PC2.8 |  |
|     |      |                          |        | X.X       | ±0.30 |         |  | UNIT  | mm  |     |  |  |  |
|     |      |                          |        | X.XX      | ±0.20 | CHECK   |  | SIZE  | A4  |     |  |  |  |
|     |      |                          |        | X.XXX     | ±0.10 |         |  | SHEET | 1/1 |     |  |  |  |
|     |      |                          |        | Angle     | ±3'   | APPROVE |  | PROJ. | ◆ ▽ |     |  |  |  |
| REV | DATE | MODIFICATION DESCRIPTION | CHANGE | DIM       | TOL   |         |  |       |     |     |  |  |  |
| 1   | 2    | 3                        | 4      | 5         | 6     |         |  |       |     |     |  |  |  |