

RoHS

SPECIFICATIONS

Rated Current:3.0AMP

Contact Resistance:20mΩ Max

Withstand Voltage:1000V AC/DC

Insulation Resistance:1000MΩ Min

Operation Temperature:-40°C to +105°C

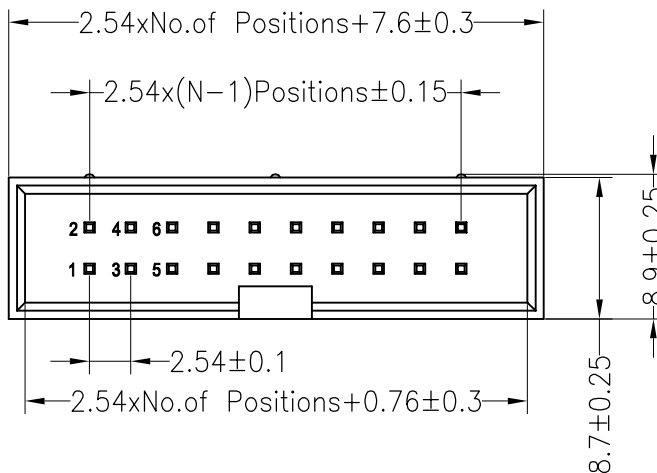
Contact Material:Brass

Contact Plating:Au Over Ni

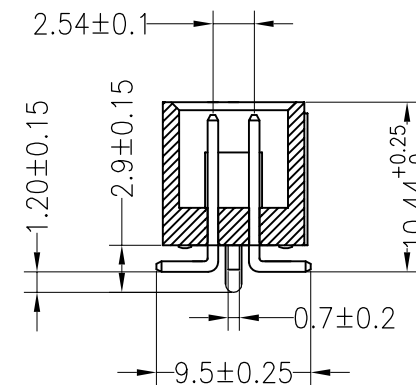
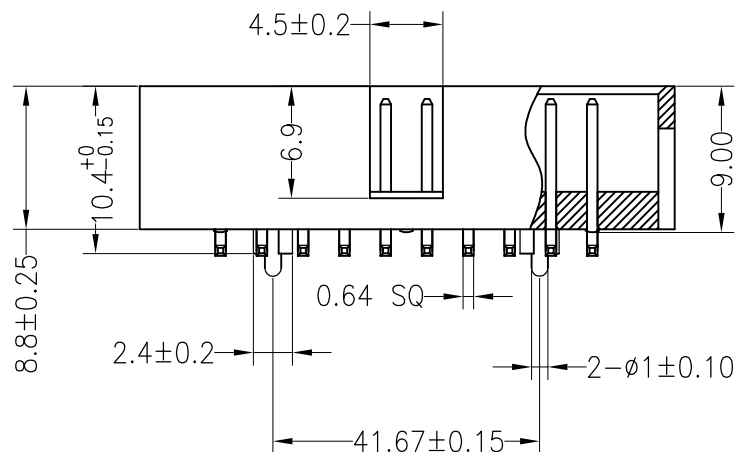
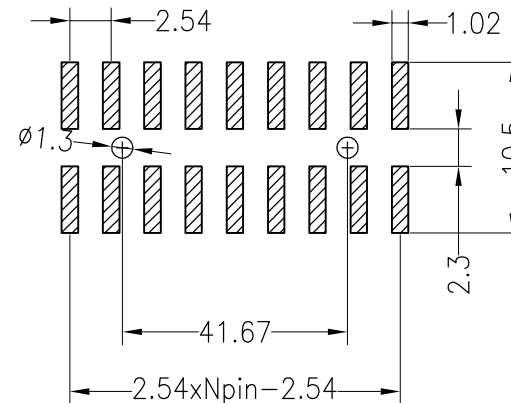
Insulator Material:Polyester(UL94V-0)

Standard: PA6T

Max.Processing Temp: 230°C for 30-60 seconds
(260°C for 10 seconds)



Recommended P.C.B Layout(Top Side)
(PCB BOARD TOLERANCE±0.05)



				OPERATION		DRAW		SCALE	FIT	深圳市连盛精密连接器有限公司	
				X.X	±0.30			UNIT	mm		
A1	2018.12.07	柱子加高0.6mm			X.XX	±0.20	CHECK	SIZE	A4	PART NO.	BH-00181
A0	2018.11.06	柱子底部加台阶			X.XXX	±0.10	APPROVE	SHEET	1/1	TITLE:	2.54BOX 40P H8.8 SMT 带偏内柱 两柱之间41.67 直径1.0 高2.9
REV	DATE	MODIFICATION DESCRIPTION	CHANGE	DIM	TOL	PROJ.					
1	2	3	4	5	6	7	8	9			