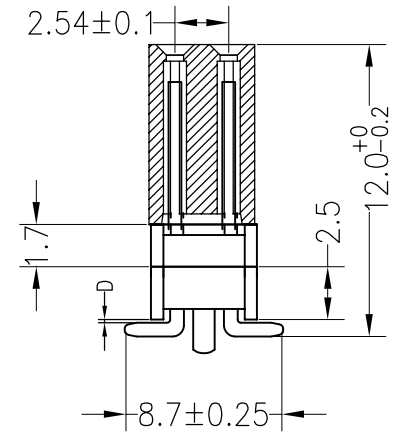
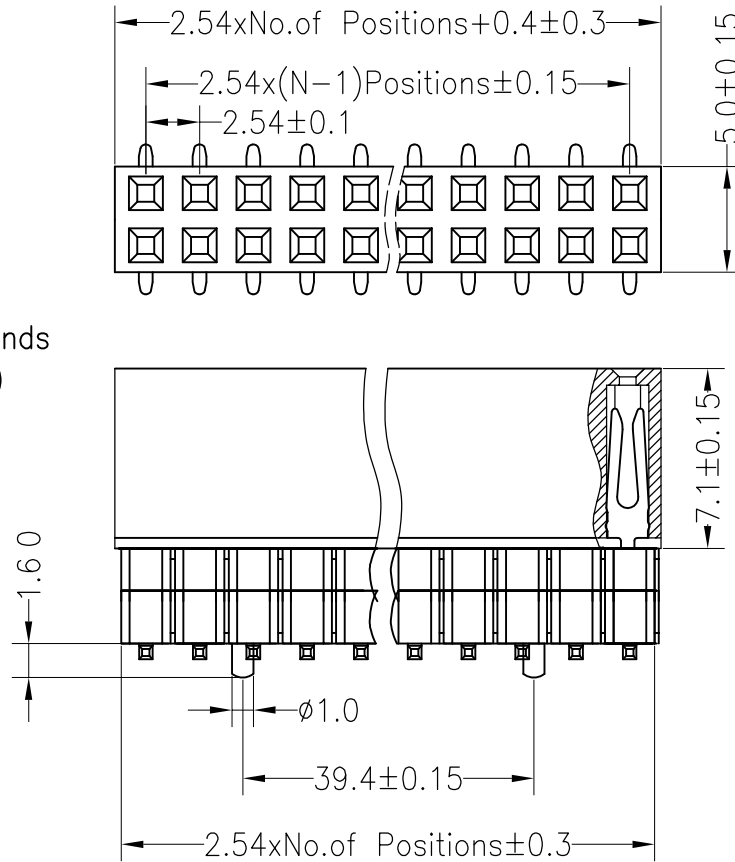


RoHS

SPECIFICATIONS

Rated Current:3.0AMP
 Contact Resistance:20mΩ Max
 Withstand Voltage:1000V AC/DC
 Insulation Resistance:1000MΩ Min
 Operation Temperature:-40°C to +105°C

Contact Material:Brass
 Contact Plating:Au Over Ni
 Insulator Material:Polyester(UL94V-0)
 Standard: PA6T
 Max.Processing Temp: 230°C for 30-60 seconds
 (260°C for 10 seconds)



Dimension antitheses list			
ITEM	H	D	W
Alternate	12.0	0.10	8.70

				OPERATION		DRAW		SCALE	FIT	深圳市连盛精密连接器有限公司		
				X.X	±0.30			UNIT	mm			
				X.XX	±0.20	CHECK		SIZE	A4	PART NO.		FH-00325
				X.XXX	±0.10			SHEET	1/1	TITLE:		2.54FH 3H=7.1+1.7+2.5 2x20P SMT
				Angle	±3'	APPROVE		PROJ.	◆	W5.0mm L=13.5 带偏柱 直径1.0 高1.6		
				DIM	TOL							
1	2	3	4	5	6	7	8	9				
REV	DATE	MODIFICATION DESCRIPTION		CHANGE								
A0	2012.10.08	NEW DRAWING										