

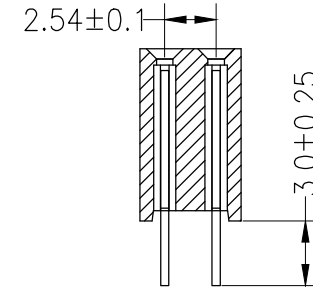
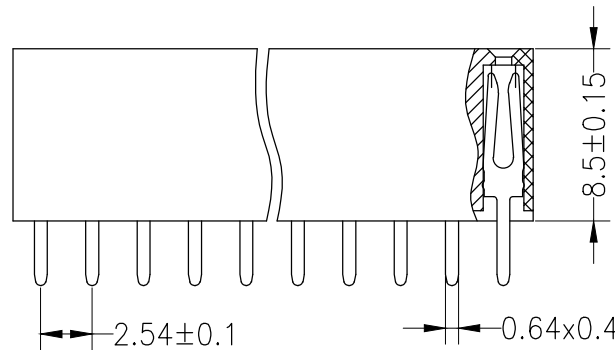
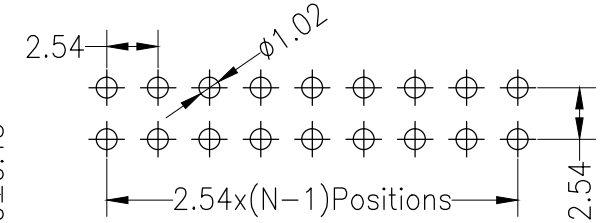
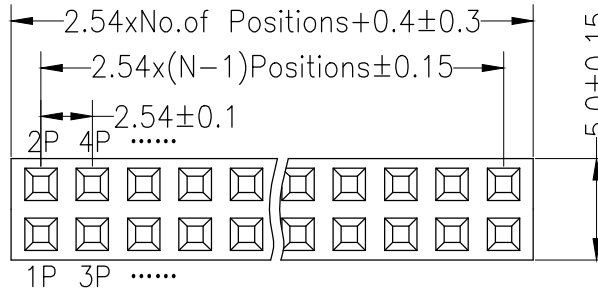
RoHS

Recommended P.C.B Layout(Top Side)
(PCB BOARD TOLERANCE±0.05)

SPECIFICATIONS

Rated Current:3.0AMP
Contact Resistance:20mΩ Max
Withstand Voltage:1000V AC/DC
Insulation Resistance:1000MΩ Min
Operation Temperature:-40°C to +105°C

Contact Material:Brass
Contact Plating:Au Over Ni
Insulator Material:Polyester(UL94V-0)
Standard: PA6T
Max.Processing Temp: 230°C for 30-60 seconds
(260°C for 10 seconds)



				OPERATION		DRAW			SCALE	FIT	深圳市连盛精密连接器有限公司	
				X.X	±0.30				UNIT	mm		
				CHECK		APPROVE			SIZE	A4	PART NO.	
				X.XX	±0.20				SHEET	1/1	FH-00870	
A0	2012.03.28	NEW DRAWING		Angle		DIM			PROJ.	ϕ	TITLE:	2.54FH H8.5 2x10pin 180° W5.0mm
REV	DATE	MODIFICATION DESCRIPTION		TOL								