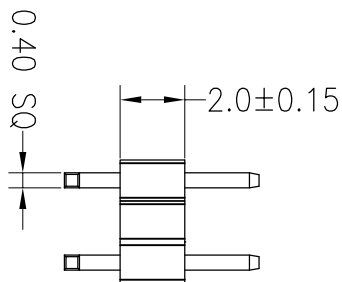
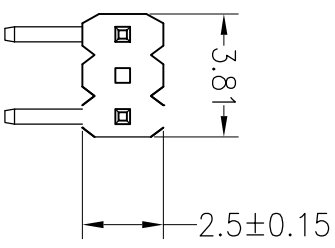


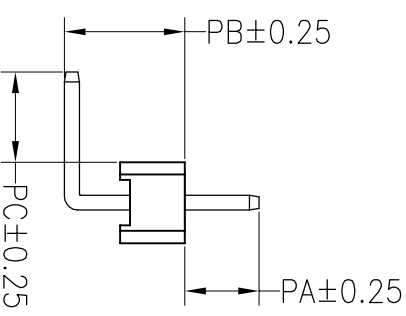
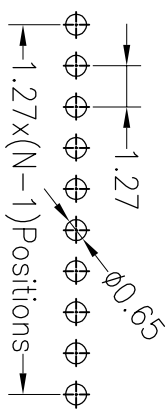
# ROHS

## SPECIFICATIONS

Rated Current:1.0AMP  
 Contact Resistance:20mΩ Max  
 Withstand Voltage:500V AC/DC  
 Insulation Resistance:1000MΩ Min  
 Operation Temperature:-40°c to +105°c  
 Contact Material:Brass  
 Contact Plating:Au Over Ni  
 Insulator Material:Polyester(UL94V-0)  
 Standard: PA6T  
 Max.Processing Temp: 230°C for 30-60 seconds  
 (260°C for 10 seconds)



Recommended P.C.B Layout(Top Side)  
 (PCB BOARD TOLERANCE±0.05)



Dimension antitheses list					
ITEM	PA	PB	PC	L	
Alternate	3.70	3.00	2.00	9.40	

深圳市连盛精密连接器有限公司

OPERATION		DRAW		SCALE		FIT		PART NO.													
X.X	±0.30	小片	18.01.08	UNIT	mm	mm	A4	PH-00747													
X.XX	±0.20	CHECK		SIZE	A4	SHEET	1/1	TITLE:	1.27PH H2.0mm 1x3pin 空架2P 90°												
X.XXX	±0.10	APPROVE		PROJ.																	
Angle	±3°																				
DIM	TOL																				
<table border="1"> <thead> <tr> <th>REV</th> <th>DATE</th> <th>MODIFICATION DESCRIPTION</th> <th>CHANGE</th> </tr> </thead> <tbody> <tr> <td>A0</td> <td>2018.01.08</td> <td>NEW DRAWING</td> <td></td> </tr> <tr> <td>1</td> <td></td> <td></td> <td></td> </tr> </tbody> </table>										REV	DATE	MODIFICATION DESCRIPTION	CHANGE	A0	2018.01.08	NEW DRAWING		1			
REV	DATE	MODIFICATION DESCRIPTION	CHANGE																		
A0	2018.01.08	NEW DRAWING																			
1																					