

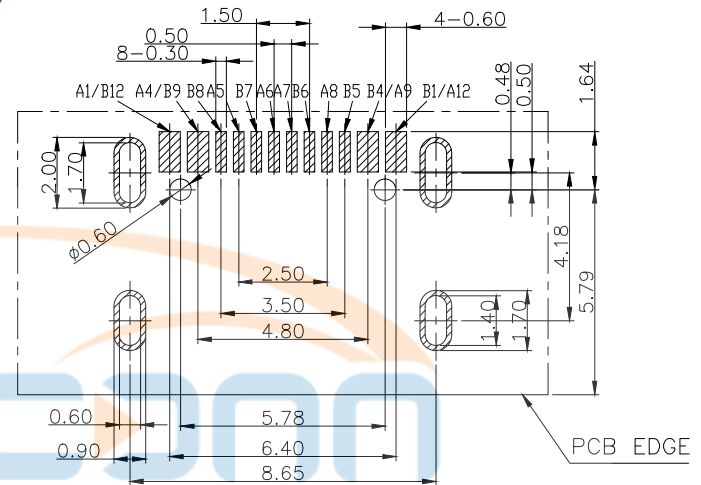
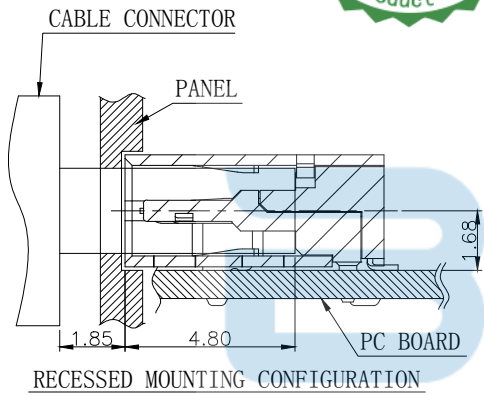
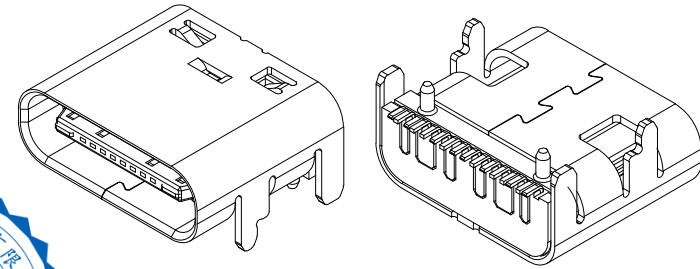
NOTE:

- 1.MATERIAL SPECIFICATION:
  - 1.HOUSING:HIGH TEMPERATURE RESISTANT PLASTIC,UL94 V-0.
  - 2.CONTACTS:COPPER ALLOY
- 2.PLATING SPECIFICATION:
  - 2-1.CONTACTS:
    - Ni 50u" MIN. UNDER PLATED OVER ALL.
    - Au PLATED ON THE FUNCTIONAL AREA OF CONTACT.
    - (GOLD PLATING THICKNESS FOLLOW THE P/N)
    - GOLD FLASH PLATING ON SOLDER AREA
  - 2-2.FRONT SHELL:
    - Ni 30u" MIN. UNDER PLATED OVER ALL.
- 3.MECHANICAL PERFORMANCE,
  - 3-1.INSERTION FORCE: 0.5~2.0kgf.
  - 3-2.REMOVAL FORCE: 0.8kgf~2.0kgf.
  - 3-3.DURABILITY: 3000 CYCLES.
- 4.ELECTRICAL PERFORMANCE,
  - 4-1. CURRENT RATING: 2A  
VOLTAGE RATING:5.0V
  - 4-2.INSULATION RESISTANCE: 100MΩ MIN
  - 4-3.DIELECTRIC WITHSTAND VOLTAGE,AC 100V FOR 1 MINUTE.
  - 4-4.LOW CONTACT RESISTANCE: INITIAL 40MΩ / AFTER 50MΩ
5. ENVIRONMENTAL PERFORMANCE:
  - OPERATING TEMPERATURE: -30°C~+80°C.
- 6.IR REFLOW:
  - THE PEAK TEMPERATURE ON THE BOARD SHALL BE MAINTAINED FOR 10 SECONDS AT 260°C.



SECTION A-A  
SCALE 1:1

TOLERANCE UNSPECIFIED		深圳市步步精科技有限公司 TITLE: TYPE-C 16P 母座 L=7.35板上型组合式 CH1.68			
.0	±0.35				
.00	±0.25	DRAWN/ DATE		HMY	
.000	±0.15	CHECKED/ DATE		LYX	
X. "	±2.00"	APPROVED/ DATE		LJP	
CUSTOMER DRAWING		SIZE:A4	UNIT:MM.	PART. NO: UC. 01. 51-11-0003	
		SCALE: 1:1		PROJECTION	REV.: 版本
		DWG. PATH		0100-2	SHEET: 页码



USB TYPE-C PIN ASSIGNMENTS

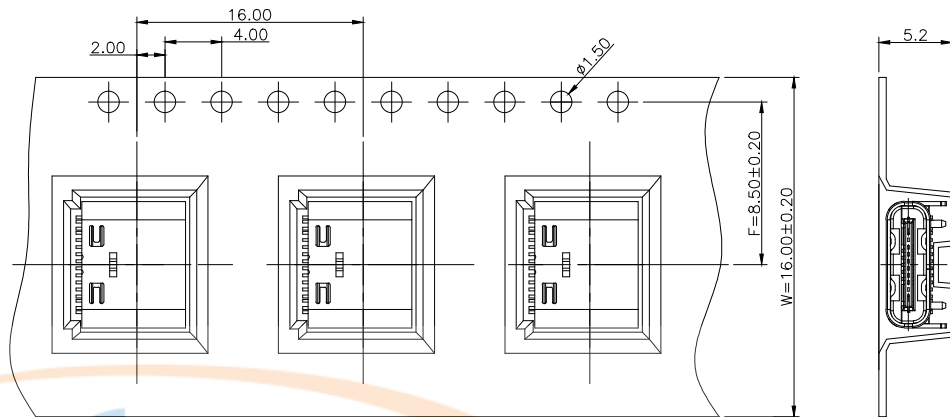
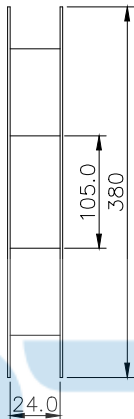
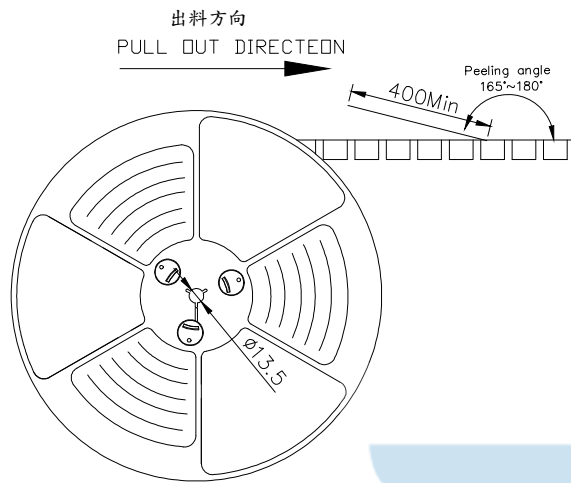
PIN NUMBER	SIGNAL NAME	PIN NUMBER	SIGNAL NAME
A1	GND	B12	GND
A4	VBUS	B9	VBUS
A5	CC1	B8	SBU2
A6	Dp1	B7	Dn2
A7	Dn1	B6	Dp2
A8	SBU1	B5	CC2
A9	VBUS	B4	VBUS
A12	GND	B1	GND

RECOMMENDED P.C.B. LAYOUT (T:1.00mm)

TOLERANCE UNSPECIFIED ±0.05mm

DEFAULT TOLERANCE:±0.05

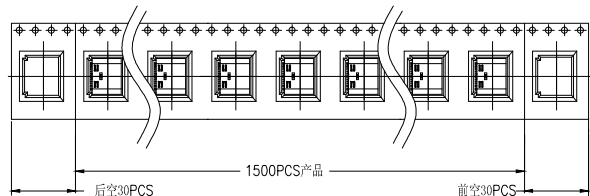
TOLERANCE UNSPECIFIED		深圳市步步精科技有限公司 TITLE: TYPE-C 16P 母座 L=7.35板上型组合式 CH1.68			
.0	±0.35				
.00	±0.25	DRAWN/ DATE		HMY	
.000	±0.15	CHECKED/ DATE		LYX	
X.°	±2.00°	APPROVED/ DATE		LJP	
CUSTOMER DRAWING		SIZE: A4	UNIT: MM.	PART. NO:	UC. 01. 51-11-0003
		SCALE: 1:1		PROJECTION	REV.: 版本
		DWG. PATH		0100-2	SHEET: 页码



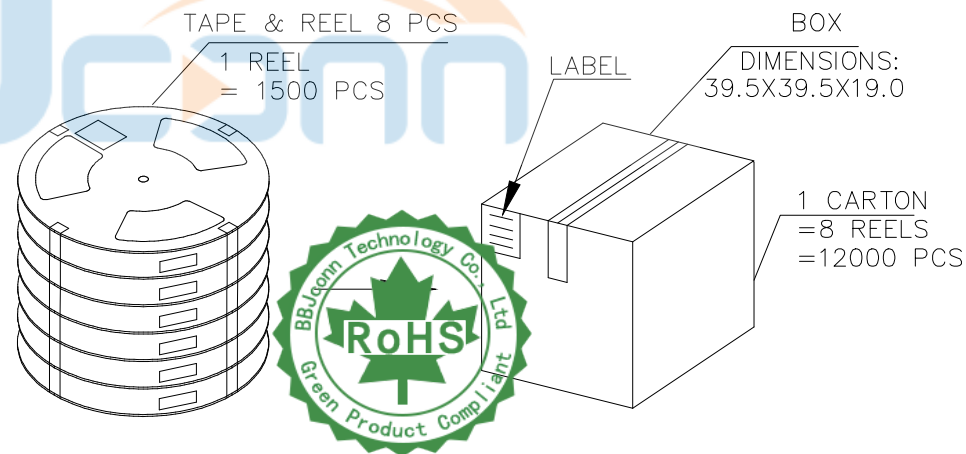
NOTES

1.帶子引導長度  
LEAD TAPE LENGTH  
出料方向  
PULL OUT DIRECTEON

出料方向  
PULL OUT DIRECTEON



2.上帶 剝力力為 : 0.1~1.3N(10.2gf~130gf)  
PEELING OFF FORCE OF TOP TAPE:0.1~1.3N(10.2gf~130gf)  
出貨運輸過程中一定注意:  
THIS REQUIREMENT SHOULD BE APPLIED AT SHIPMENT:  
卷帶在運輸過程中不能散開  
PEELING OFF SHOULD NOT BE ALLOWED DURING TRANSPORTATION



TOLERANCE UNSPECIFIED		深圳市步步精科技有限公司			
.0	±0.35	TITLE: TYPE-C 16P 母座 L=7.35板上型组合式 CH1.68			
.00	±0.25	SIZE:A4	UNIT:MM.	PART. NO: UC.01.51-11-0003	
.000	±0.15	CHECKED/ DATE	LYX	SCALE: 1:1	PROJECTION
X.°	±2.00°	APPROVED/ DATE	LJP	DWG. PATH	0100-2
CUSTOMER DRAWING		REV.: 版本			
		SHEET: 页码			

A (The detail of the packing carton)						
(Product No.)	(Packing Capacity)			Weight (Kg)		
	pcs/reel	reels/Carton	Pcs/Carton	N.W./Pcs	N.W./reel	N.W./Carton
	1500	8	12000	----	----	----