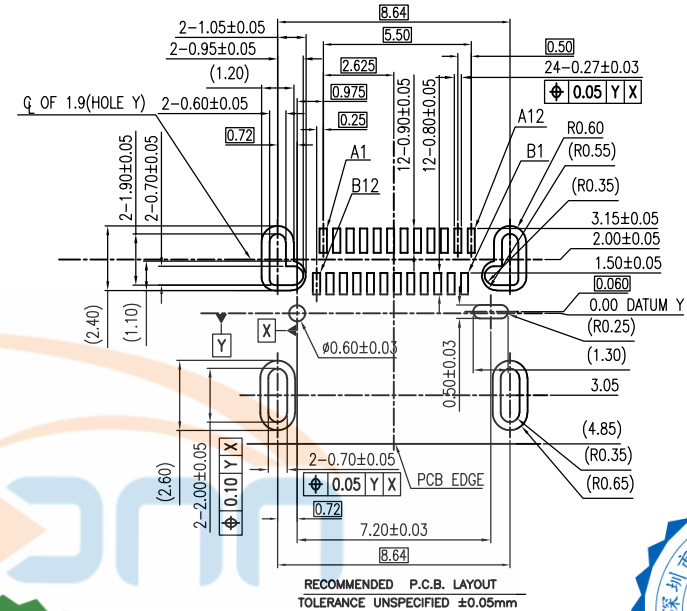
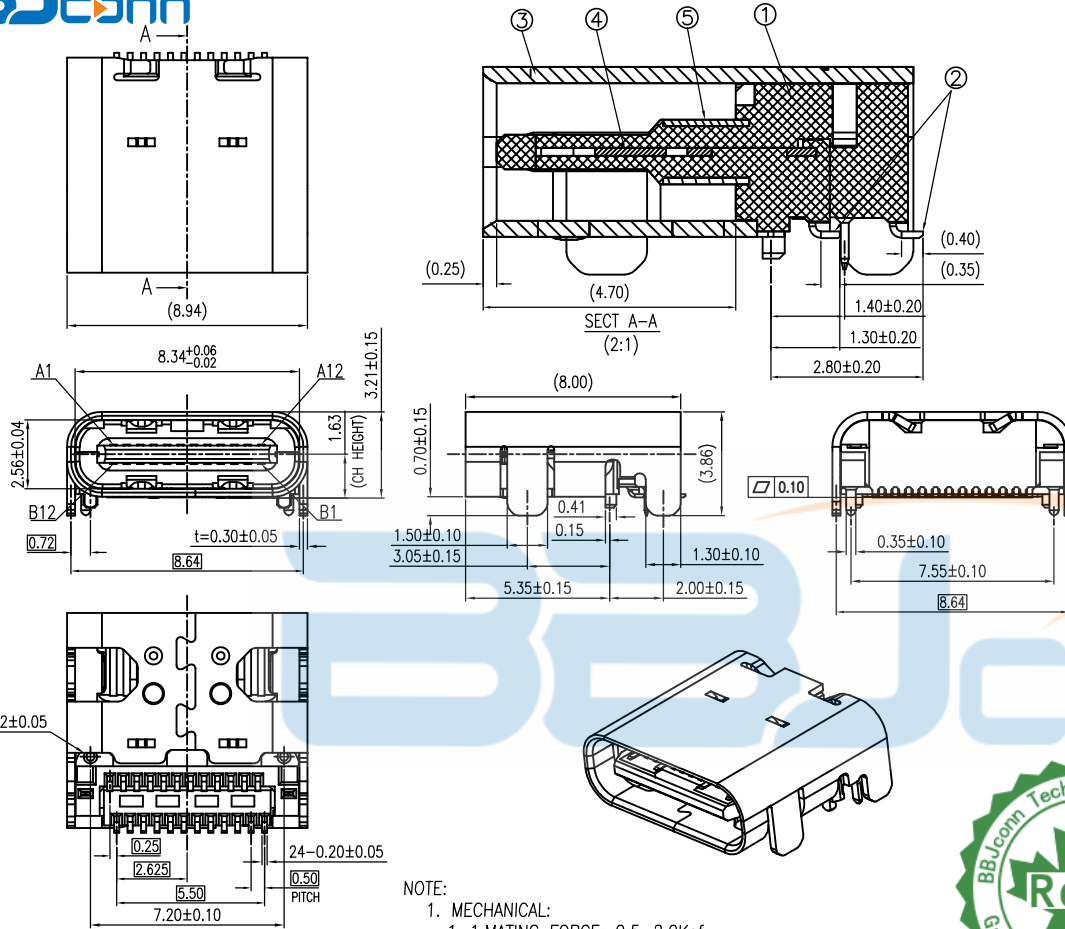




REV.	DESCRIPTION	NAME	DATE
A	NEWS ISSUE		



PIN	SIGNAL NAME	PIN	SIGNAL NAME
A1	GND	B12	GND
A2	SSTXP1	B11	SSRXP1
A3	SSTXN1	B10	SSRXN1
A4	VBUS	B9	VBUS
A5	CC1	B8	SBU2
A6	DP1	B7	DN2
A7	DN1	B6	DP2
A8	SBU1	B5	CC2
A9	VBUS	B4	VBUS
A10	SSRXN2	B3	SSTXN2
A11	SSRXP2	B2	SSTXP2
A12	GND	B1	GND

- NOTE:
- MECHANICAL:
    - 1-1.MATING FORCE: 0.5~2.0Kgf
    - 1-2.UMMATING FORCE: Initial: 0.8~2.0Kgf  
After 500 to 10,000cycles: 0.6~2.0Kgf
    - 1-3.FREQUENCE:200±50 CYCLES/HOUR,10000 CYCLES;
  - ELECTRICAL CHARACTERISTICS:
    - 2-1. CURRENT RATING: 1.25A/PIN FOR FOR VBUS AND GND  
0.25 A FOR OTHER PINS
    - 2-2. INITIAL CONTACT RESISTANCE:40mΩ Max.
    - 2-3. INSULATION RESISTANCE:100MΩ MIN
    - 2-4. WITHSTANDING VOLTAGE:100V AC,1 MINUTE;
  - ENVIRONMENTAL
    - TEMPERATURE RANGE: -25°C TO +85°C.



ITEM	PART NAME	Q'TY	MATERIAL	FINISH
1	Insulator	1	THERMOPLASTIC	Black, UL94V-0
2	CONTACT	1	HIGH CONDUCTIVITY COPPER	Contact area:Gold plated over Ni.
3	SHELL	1	STAINLESS STEEL	Ni plated over all
4	MID-PLATE	1	STAINLESS STEEL	Ni plated over all
5	GND-PLATE	1	STAINLESS STEEL	Cleaning

TOLERANCE UNSPECIFIED  
·未指定公差

.0	±0.35
.00	±0.25
.000	±0.15
X. °	±2.00°

CUSTOMER DRAWING

深圳市步步精科技有限公司

TITLE:  
名称: Type-c 24p板上型四脚插L=8.0 CH=1.63(JAE款)

DRAWN/ 设计	YDH	SIZE:A4	UNIT:MM.	PART. NO: 料号:	UC.01.52-1G-0002
CHECKED/ 审核	LYX	SCALE: 1:1	PROJECTION	REV.: 版本	
APPROVED/ 核准	LJP	DWG. PATH		0382-1	SHEET: 页码



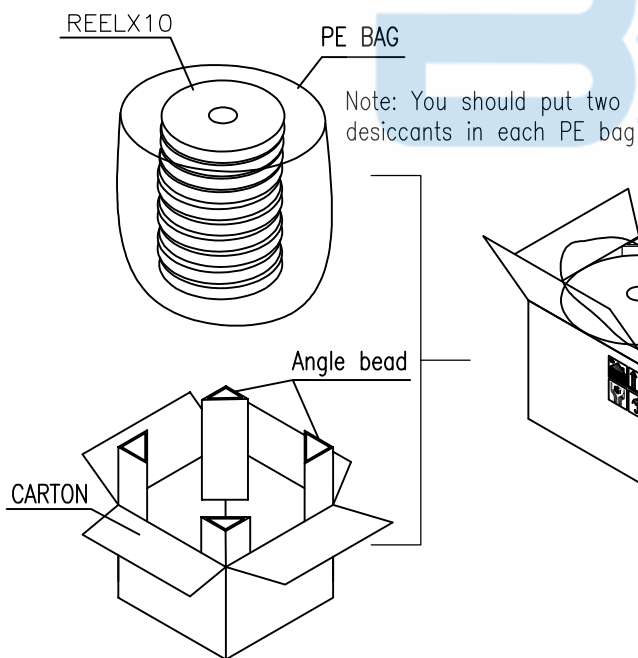
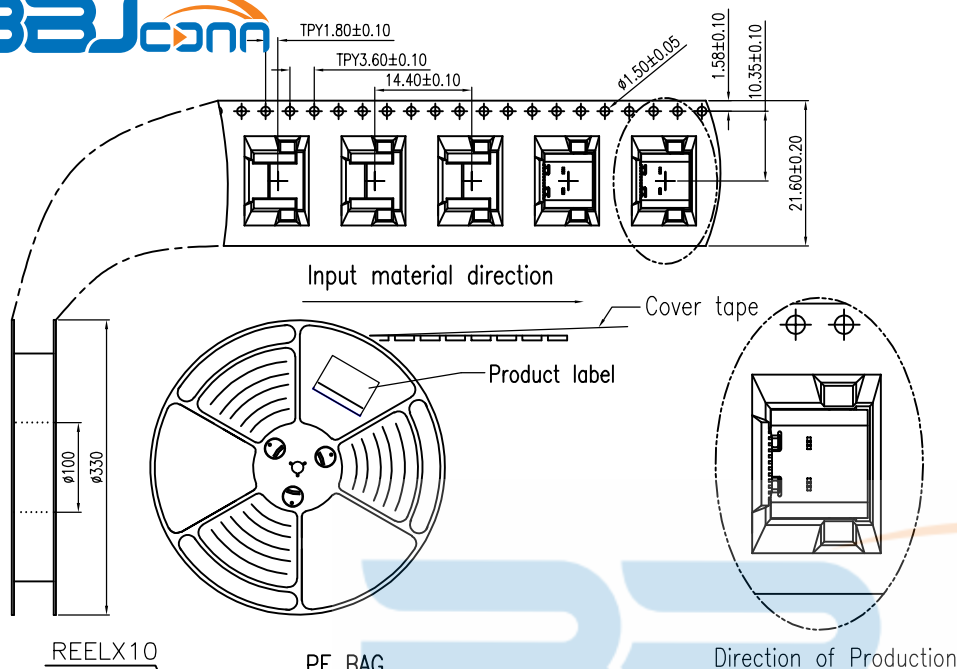
REV.	DESCRIPTION	NAME	DATE
A	NEWS ISSUE		

NOTES

1. NUMBER OF CONNECTORS: 1050PCS/REEL
2. LEAD TAPE LENGTH

EMPTY 15PCS	PART 1050PCS	EMPTY 15PCS
LEADER 240mm	COMPONENT SUPPLIER	TRAILER 240mm

3. QUANTITY: 10500/CARTON
4. WEIGHT :
  - 4.1 NET WEIGHT : 5.43 Kg
  - 4.2 GROSS WEIGHT : 9.6 Kg



深圳市步步精科技有限公司

TITLE: 名称: Type-c 24p板上型四脚插L=8.0 CH=1.63(JAE款)

TOLERANCE UNSPECIFIED 未指定公差		深圳市步步精科技有限公司					
.0	±0.35	TITLE: 名称: Type-c 24p板上型四脚插L=8.0 CH=1.63(JAE款)					
.00	±0.25						
.000	±0.15	DRAWN/ 设计	YDH	SIZE: A4	UNIT: MM.	PART NO: 料号:	UC.01.52-1G-0002
X.°	±2.00°	CHECKED/ 审核	LYX	SCALE: 1:1	PROJECTION	REV.:	版本
CUSTOMER DRAWING		APPROVED/ 核准	LJP	DWG. PATH	0382-1	SHEET: 页码	