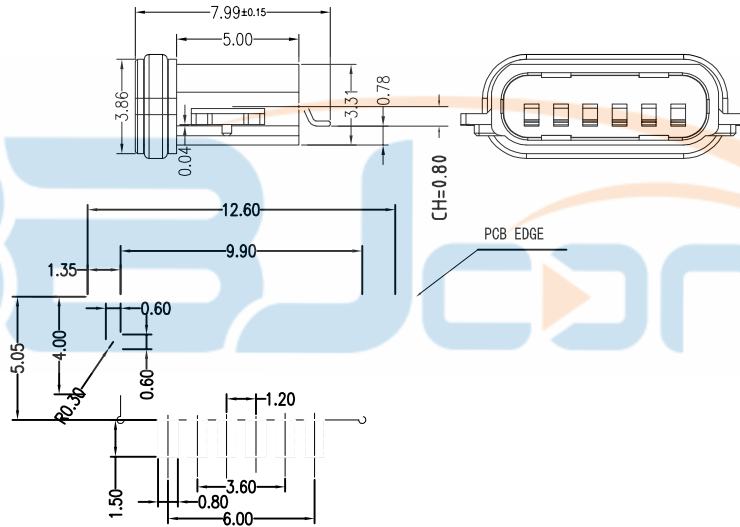
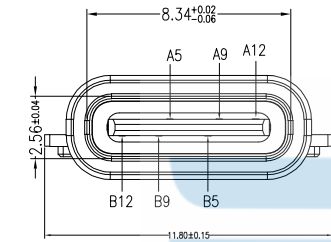
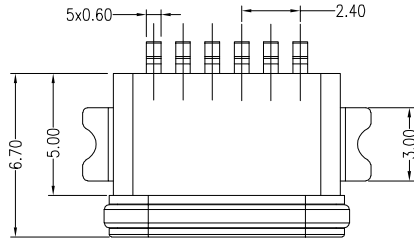




REV.	ECN NO	LOCATIONS	DESCRIPTION	DATE



- Note:
- Material:
    - Housing: LCP
    - Contact: C5191, t=0.20mm
    - Shell: Zinc Alloy.
  - ELECTRICAL:
    - CURRENT RATING:
      - VBUS AND GND CONTACTS RATED AT 1.25A PARALLELED FOR A TOTAL OF 5A;
      - INITIAL CONTACT RESISTANCE :40 MEGOHMS
      - DIELECTRIC WITHSTANDING VOLTAGE: 100V AC MIN;
    - MECHANICAL CHARACTERISTICS:
      - MATING FORCE: 5~20N
      - UNMATING FORCE: 8~20N(INITIAL), 6~20N(AFTER 10000 CYCLES)
      - FREQUENCY: 200±50 CYCLES /HOUR, 10000 CYCLES
      - OPERATING TEMPERATURE ; -40'~80'.
  - WATERPROOF: IP-X7.

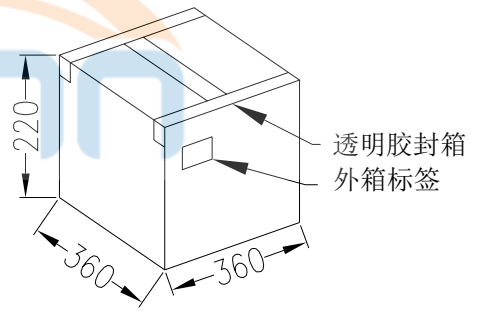
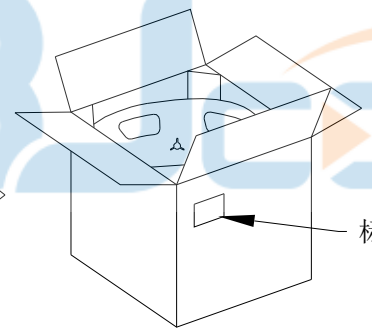
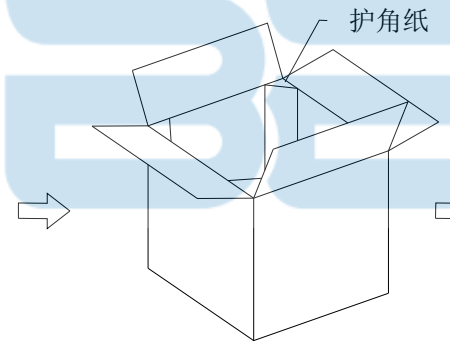
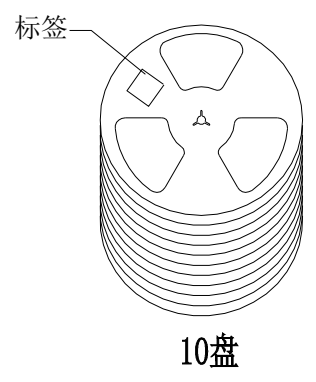
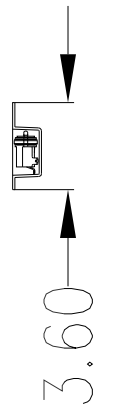
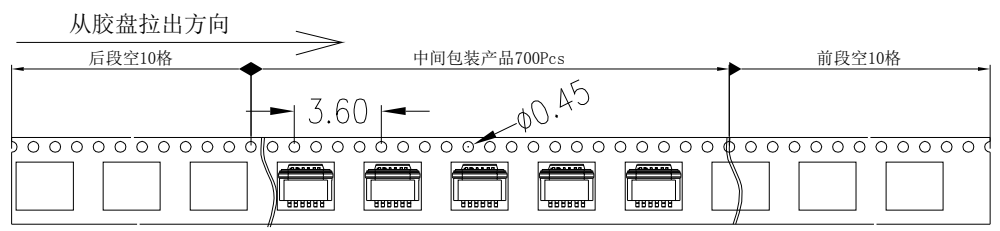
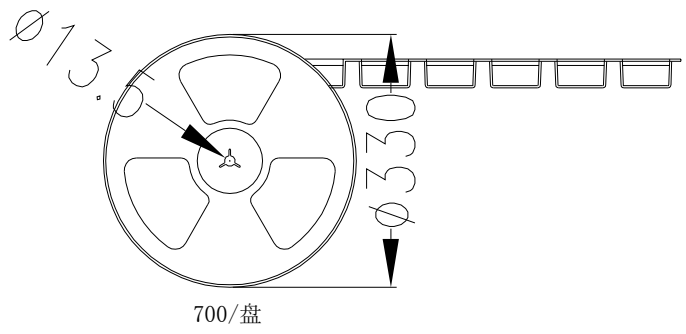
PCB LAYOUT 图仅供参考

TABLE B

PIN	SIGNAL NAME	PIN	SIGNAL NAME
A5	CC1	B12	GND
A9	VBUS	B9	VBUS
A12	GND	B5	CC2

MODEL NO: XX		MATERIAL: SEE NOTE		深圳市步步精科技有限公司	
UNIT: MM		FINISH: SEE NOTE			
SIZE: A4		COLOR: SEE NOTE		TITLE: TYPE-C 6P 防水母座沉板0.8间距全贴l=6.70-高端座锌合金外壳 1PX7 CH=0.8	
TOLERANCE UNSPECIFIED		DR: IMY		PART NO: UC. 01. 33-1J-0001	
.x ±0.15		CHK: LYX		REV: A	
.xx ±0.10		APP: LJP		SCALE: 5:1	
.xxx ±0.05				0395-1	
Ang. ±1°					

REV.	ECN NO	LOCATIONS	DESCRIPTION	DATE



7K/箱 纸箱规格:360\*360\*220mm

- 备注:
1. 每盘前面空10个空格后面空10个空格, 中间包装700PCS.
  2. 每箱包装10盘, 共包装7,000PCS.



MODEL NO: XX		MATERIAL: SEE NOTE		深圳市步步精科技有限公司	
UNIT: MM		FINISH: SEE NOTE			
SIZE: A4		COLOR: SEE NOTE		TITLE: TYPE-C 6P 防水母座沉板0.8俩脚全贴L=6.70 高端座/锌合金外壳 IPX7 CH=0.8	
TOLERANCE UNSPECIFIED		DR: HMY		PART NO: UC.01.33-1J-0001	
.x ±0.15		CHK: LYX		REV: A	
.xx ±0.10		APP: LJP		SCALE: 0395-1	
.xxx ±0.05				⊕	
Ang. ±1°					