

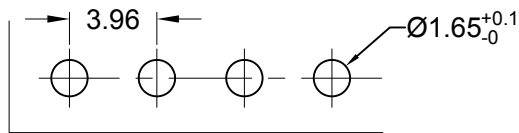
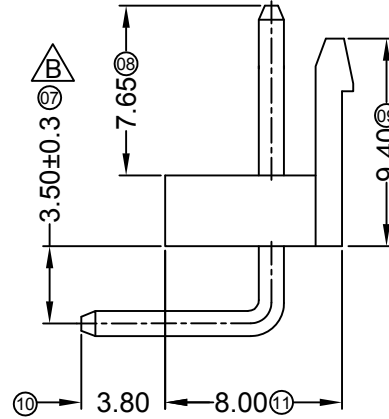
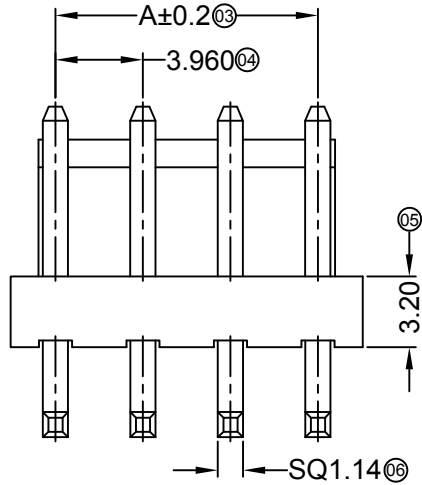
Specifications :

- Voltage rating: 250V AC / DC
- Current rating: 7A AC / DC
- Withstanding voltage: 1500V AC/minute
- Temperature range: -25°C~+85°C
- Insulation resistance: ≥1000MΩ
- Contact resistance: ≤10mΩ
- After environmental testing: ≤20mΩ

X9396 W R - XX A - N0 SN

① ② ③ ④ ⑤ ⑥ ⑦

- ① Series No.
- ② Category: W-wafer
- ③ Welding Board Angle: R-90°
- ④ Row No.-Pin No. XX-Single row
- ⑤ Special NO. A-There are gaps
- ⑥ Material: N0-PA66 94V-0
- ⑦ Planting Category: SN-Bright tin plating



Recommended P.C.B Layout
General Tolerance ±0.05

Poles	Dimensions(mm)		Poles	Dimensions(mm)	
	A	B		A	B
02	3.96	7.92	08	27.72	31.68
03	7.92	11.88	09	31.68	35.64
04	11.88	15.84	10	35.64	39.60
05	15.84	19.80	11	39.60	43.56
06	19.80	23.76	12	43.56	47.52
07	23.76	27.72			

X9396WR-XXA-N0SN	Nylon 66 UL 94V-0	Brass	Tin-Plated	9396H
PART NO	Material	Material(Pin)	Finish(Pin)	Mates With SWB Housing

For and on behalf of
XKB INDUSTRIAL PRECISION CO., LIMITED
香港星坤工業精密有限公司

DSND	DATE	SCALE: N/A	MODEL TYPE: 9396WR-XXA-N0SN
DWN	DATE	VIEW:	PART NO.:
CHKD	DATE	UNIT: mm	3.96mm Crimp Style Connectors
APPD	DATE	SIZE: A4	DWG NO.:
UNSPECIFIED TOLERANCES		XKB INDUSTRIAL PRECISION CO., LIMITED	
WEIGHT	SHEET	REVISION	
1.0g	1/1	A0	

REVISIONS
Authorized Signature(s)

MARK	DESCRIPTION	DATE	REVISED	APPROVED	ANGULAR	±5°
△ X					L ≤ 4	±0.2
△ X					4 < L ≤ 16	±0.3
△ X					16 < L ≤ 63	±0.4
					L > 63	±0.5