

■ SWITCHING CHARACTERISTICS($V_{CC}=5V, T_a=25^{\circ}C$)

Item	Symbol	Inputs	Test Conditions	min	typ	max	Unit	
Propagation delay time	t_{PLH}	A or B	$C_L = 15pF$ $R_L = 2k\Omega$	Other inputs=0V	-	12	23	ns
	t_{PHL}				-	10	17	ns
	t_{PLH}	A or B		Other inputs=4.5V	-	20	30	ns
	t_{PHL}				-	13	22	ns

Note) Refer to Test Circuit and Waveform of the Common Item

■ ELECTRICAL CHARACTERISTICS($T_a=-20\sim+75^{\circ}C$)

Item	Symbol	Test Conditions	min	typ*	max	Unit	
Input voltage	V_{IH}		2.0	-	-	V	
	V_{IL}		-	-	0.8	V	
Output voltage	V_{OH}	$V_{CC} = 4.75V, V_{IH} = 2V, V_{IL} = 0.8V, I_{OH} = -400\mu A$	2.7	-	-	V	
	V_{OL}	$V_{OL} = 4.75V, V_{IH} = 2V, V_{IL} = 0.8V$	$I_{OL} = 4mA$	-	-	0.4	V
			$I_{OL} = 8mA$	-	-	0.5	
Input current	I_I	$V_{CC} = 5.25V, V_i = 7V$	-	-	0.2	mA	
	I_{IH}	$V_{CC} = 5.25V, V_i = 2.7V$	-	-	40	μA	
	I_{IL}	$V_{CC} = 5.25V, V_i = 0.4V$	-	-	-0.8	mA	
Short-circuit output current	I_{OS}	$V_{CC} = 5.25V, V$	-20	-	-100	mA	
Supply current **	I_{CC}	$V_{CC} = 5.25V, V$	-	6.1	10	mA	
Input clamp voltage	V_{IH}	$V_{CC} = 4.75V, I_{in} = -18mA$	-	-	-1.5	V	

* $V_{CC}=5V, T_a=25^{\circ}C$

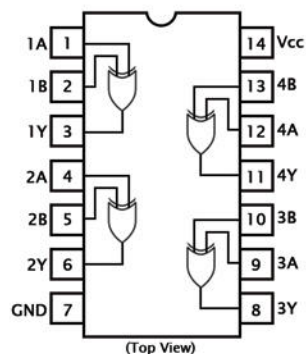
** I_{CC} is measured with all outputs open and all inputs grounded.

■ FUNCTION TABLE

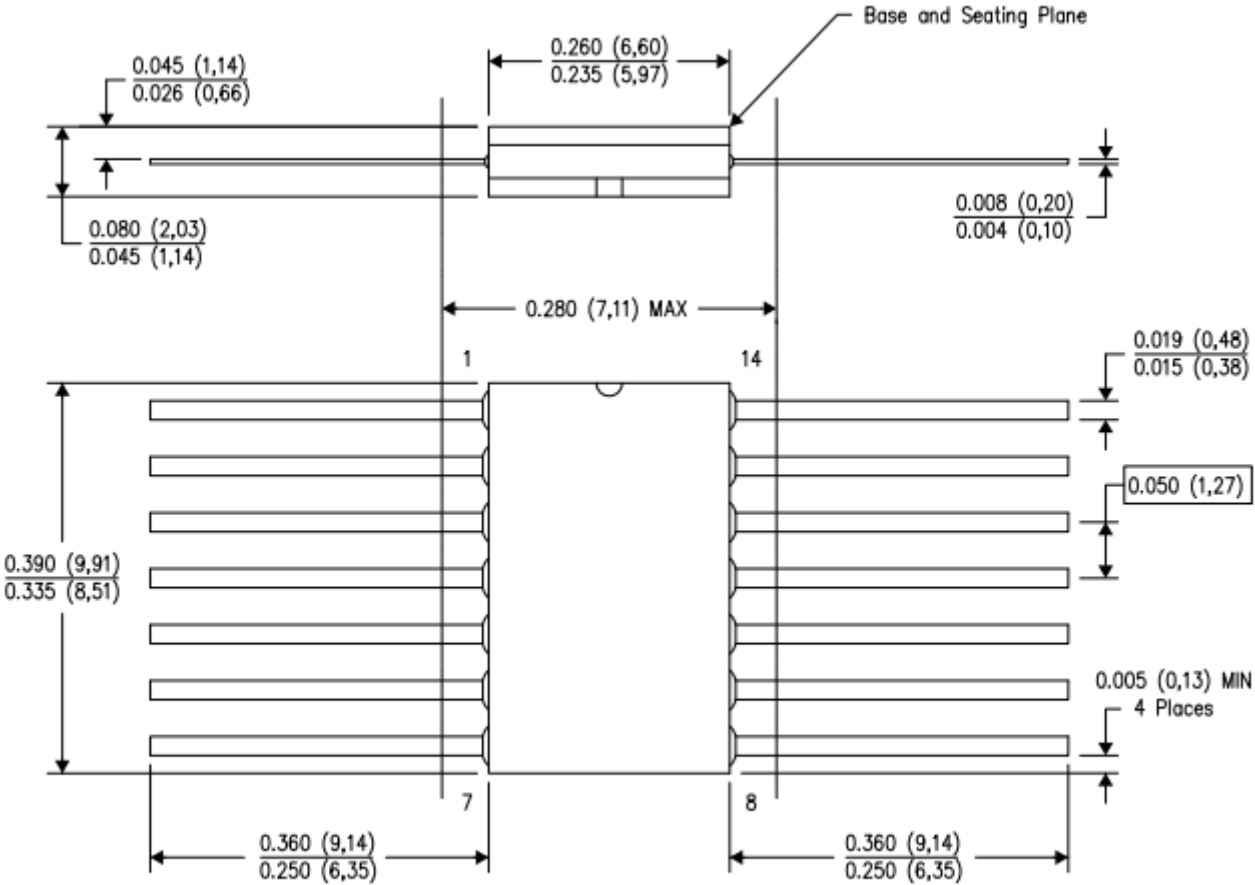
Inputs		Output
A	B	Y
L	L	L
L	H	H
H	L	H
H	H	L

H;high level,L;low level

■ PIN ARRANGEMENT



XD74LS86 DIP14



以上信息仅供参考. 如需帮助联系客服人员。谢谢 XINLUDA