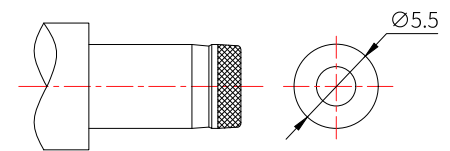
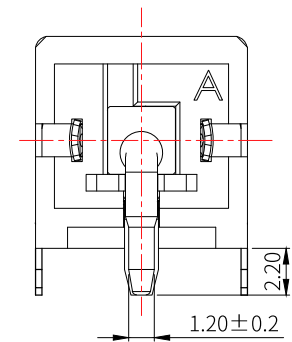
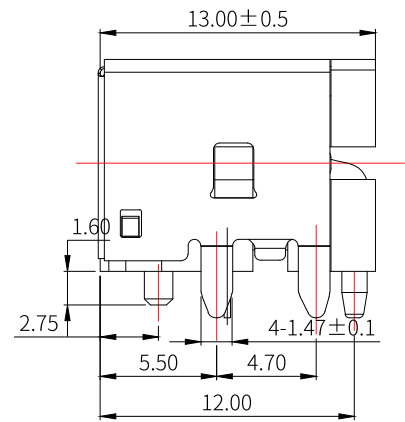
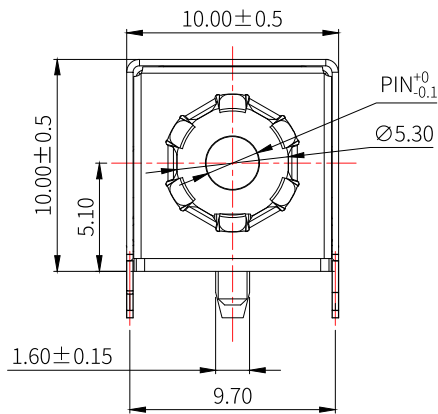


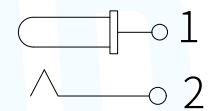
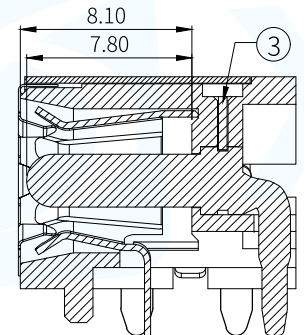
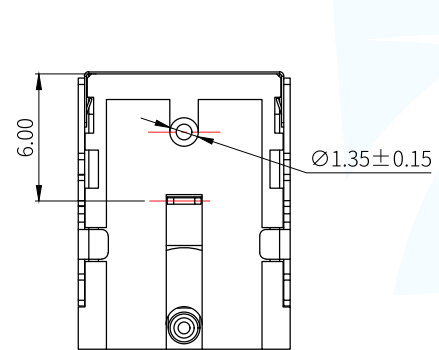
ROHS Compliant

12	13	14	15
MAPX	MODIFICATION	DATE	DRAW
			APPROVE



DC MATE PLUG

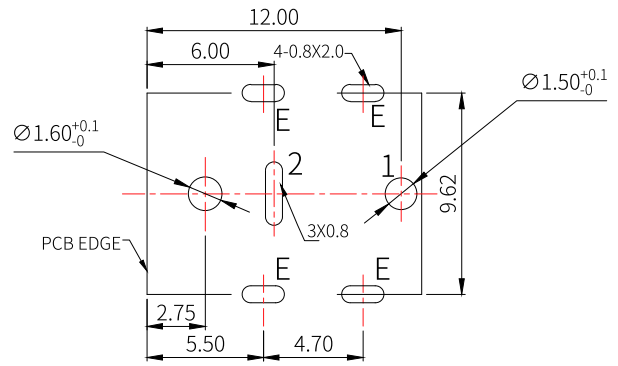
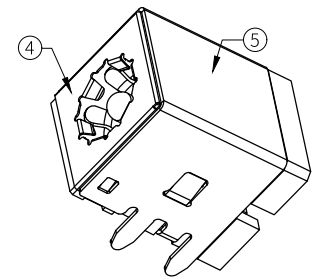
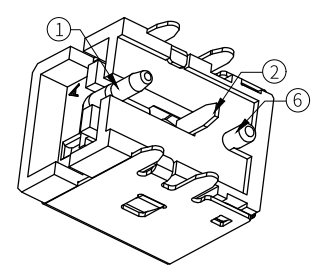
Pin	Part No	Current
φ 2.0	DC-091-A200	10A
φ 2.5	DC-091-A250	10A



Circuit Diagram

Specification

- 1.RATING : DC 24V 10A
- 2.CONTACT RESISTANCE : ≤0.03
- 3.INSULATION RESISTANCE : ≥100M(DC250V)
- 4.WITHSTAND VOLTAGE : 500VAC
- 5.INSERTION AND EXTRACTION FORCE : 3-40N
- 6.FORCE : 3-40N
- 7.LIFE TEST : 5,000 CYCLES



PCB Layout recommended

NO.	NAME	MATERIAL	REMARK
1	CENTER PIN	ZINC ALLOY	NI-PLATING
2	TIP SPRING	C5191 T=0.30	AG-PLATING
3	PEG	SUS201 T=0.40	
4	SHIELD PLATE	SUS301T=0.10	
5	ROUND SHIELD	C5191 T=0.30	NI-PLATING
6	HOUSING	PA10T	UL-94V0(BLACK)

MANUFACTURE DWG

UNLESS OTHERWISE SPECIFIED TOLERANCES

DECIMALS: X:±0.5 X.X:±0.3 X.XX:±0.2

ANGLES: X:±2° X:±0.5

CUSTOMER COPY

TITLE: DC电源插座系列

PAR: DC-091-AXXX

DWN: KING

CHKD: 2012.3.08

APVD:

SCALE 1:1 UNIT: mm

SIZE:A4 SHEET:1F1 REV:A

东莞市讯普电子科技有限公司
DongGuan XunPu Electronics Co.,Ltd