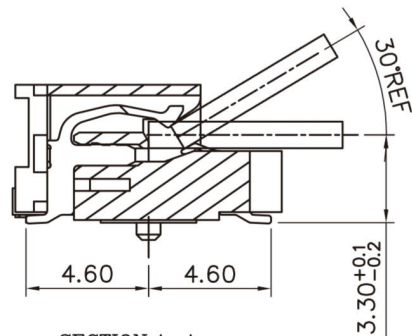
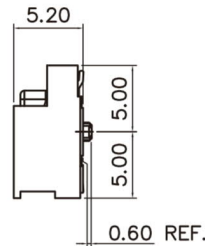
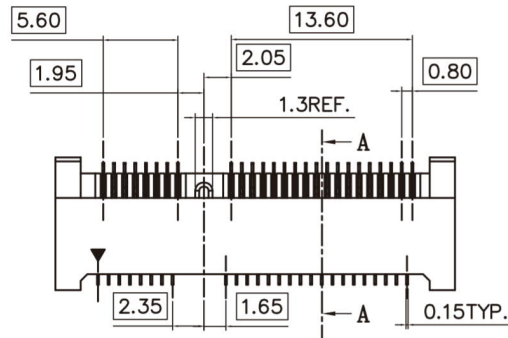
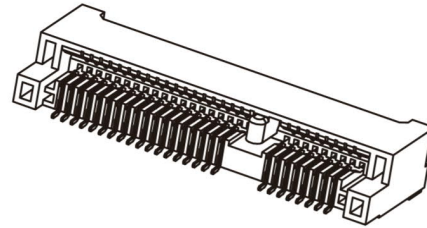
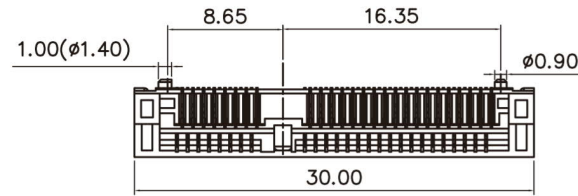


**ORDERING INFORMATION**

PCI 52 U 2 E - XX  
 (1) (2) (3) (4) (5)      (6) (7)

1. SERIES NO.  
PCI: PCI CONNECTOR
2. NUMBER OF PIN  
52: 52 POSITIONS
3. TAIL CONSTRUCTION TYPE  
U: SMT TYPE
4. PRODUCT HEIGHT  
2: PRODUCT HEIGHT:5.20mm
5. PCI TYPE  
E: MINI PCI EXPRESS CONN.
6. HOUSING COLOR CODES AND MATERIAL  
C: COLOR: BLACK & MATERIAL: LCP  
D: COLOR: WHITE & MATERIAL: LCP
7. CONTACT PLATING
  - 1: GOLD FLASH OVER NICKEL ON CONTACT AREA AND 100u" MIN. TIN PLATING OVER NICKEL ON SOLDER TAILS
  - 2: 15u"GOLD PLATING OVER NICKEL ON CONTACT AREA AND 100u" MIN. TIN PLATING OVER NICKEL ON SOLDER TAILS
  - 3: 30u"GOLD PLATING OVER NICKEL ON CONTACT AREA AND 100u" MIN. TIN PLATING OVER NICKEL ON SOLDER TAILS

NOTES:  
 MATERIAL AND FINISH:  
 CONTACT: COPPER ALLOY, NICKEL UNDERPLATING. GOLD PLATING ON CONTACT AREA AND ON SOLDER AREA.  
 NAIL: COPPER ALLOY, NICKEL UNDERPLATING, MATTE-TIN OVER NICKEL.  
 HOUSING: HIGH TEMP. THERMOPLASTIC, UL 94V-0



SECTION: A-A  
SCALE 2:1

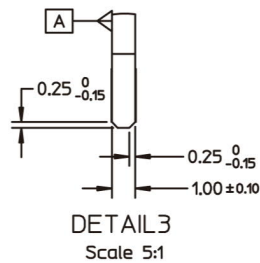
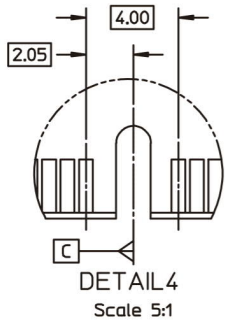
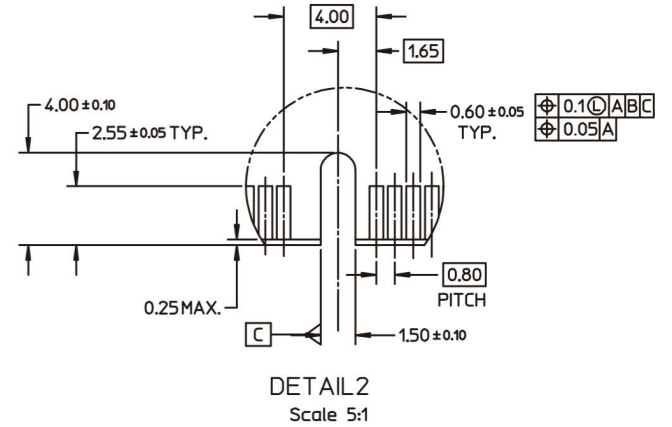
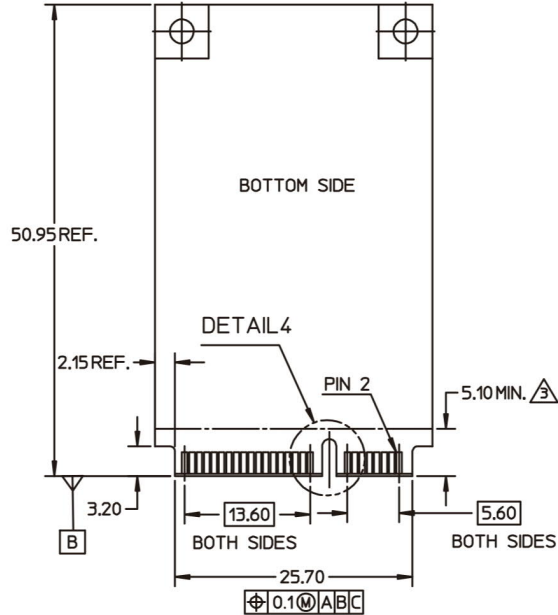
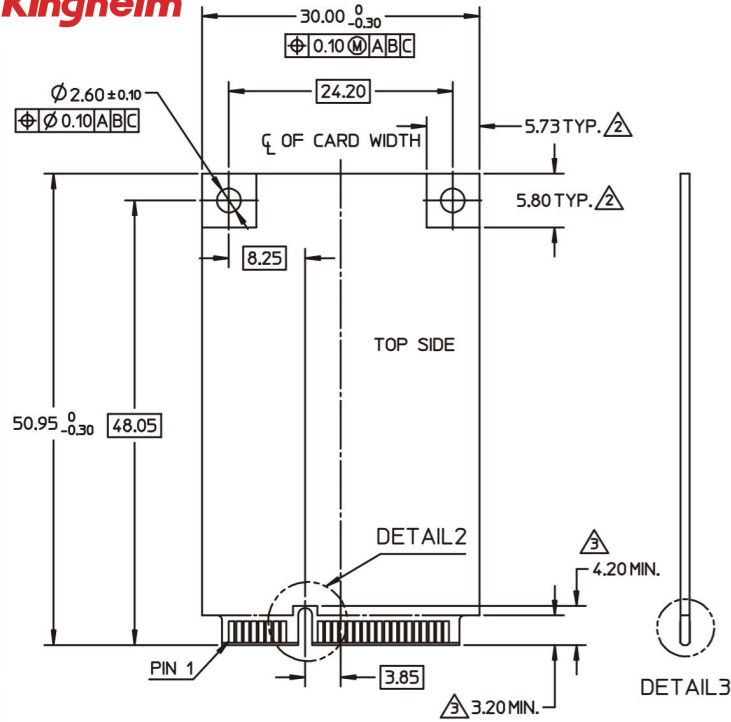
5			
4			
3			
2			
1			
NO.	DATE	DESCRIPTION	APPROVAL

DRAWING: Chen	GENERAL TOLERANCE .X: =±0.4      .X°: =±2° .XX: =±0.25    .XX°: =±1° .XXX: =          .XXX°: =±0.5°	
CHECKED:	UNIT: MM	PROJECTION:
APPROVAL:	SCALE: 1/1	
	SHEET: 1/3	

深圳市金航标电子有限公司	WWW.BDS666.COM
型号: KH-PCIE5.2H-52P	0755-83044319
DESCRIPTION: MINI PCI EXPRESS CONN. 0.8MM PITCH 52PIN 5.2MM	
PART NO: PCI52U2E-XX	REV: 1.0
DRAWING NO: P1PCI52U2E-XX-01	SIZE: A4

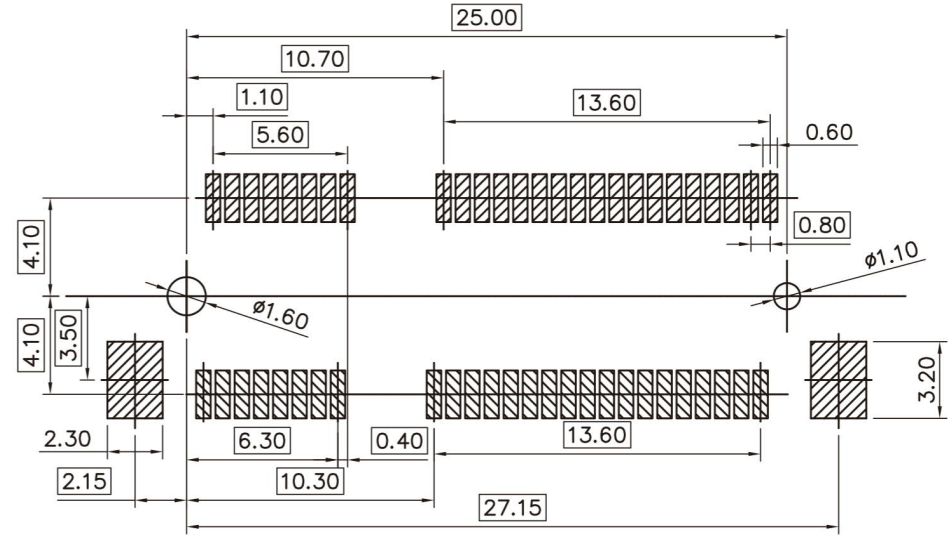
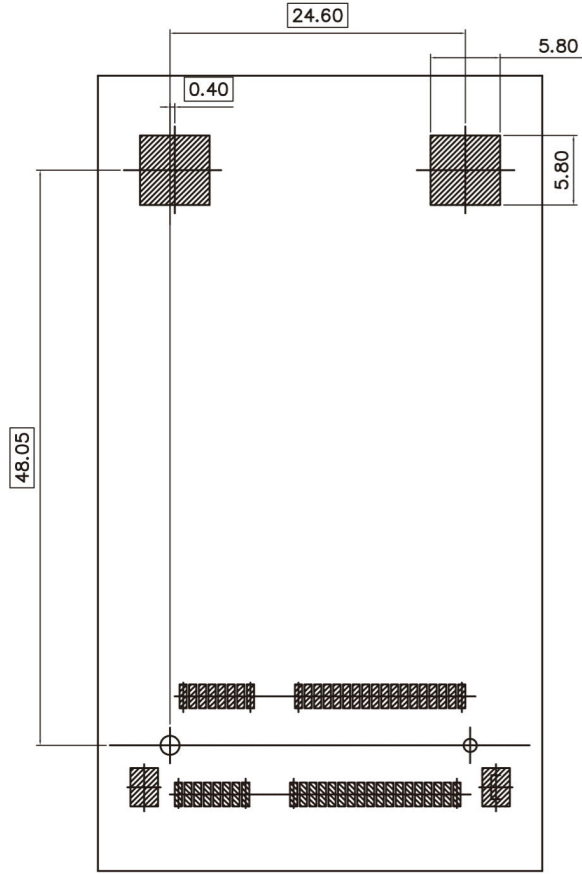
**Kinghelm®**

REV      ECN NO.



- NOTES:
- PIN NUMBERING REFERENCE:  
ODD PINS-TOP SIDE  
EVEN PINS-BOTTOM SIDE
  - COMPONENT AND ROUTING(ALL LAYERS)  
KEEP OUT AREA FOR HOLD DOWN SOLUTIONS
  - COMPONENT KEEP OUT AREA FOR CONNECTOR

5				DRAWING: Chen	GENERAL TOLERANCE .X: = ±0.4      .X°: = ±2° .XX: = ±0.25    .XX°: = ±1° .XXX: =          .XXX°: = ±0.5°	深圳市金航标电子有限公司	WWW.BDS666.COM
4				CHECKED:	UNIT: MM      PROJECTION:	型号: KH-PCIE5.2H-52P	0755-83044319
3				APPROVAL:	SCALE: 1/1	DESCRIPTION: MINI PCI EXPRESS CONN. 0.8MM PITCH 52PIN 5.2MM	
2					SHEET: 3/3	PART NO: PCI52U2E-XX	REV: 1.0
1						DRAWING NO: P1PCI52U2E-XX-03	SIZE: A4
NO.	DATE	DESCRIPTION	APPROVAL				



SCALE 2:1

RECOMMENDED PCB LAYOUT

5				DRAWING: Chen	GENERAL TOLERANCE .X: = ±0.4 .XX: = ±0.25 .XXX: =	.X°: = ±2° .XX°: = ±1° .XXX°: = ±0.5°	深圳市金航标电子有限公司	WWW.BDS666.COM
4								
3				CHECKED:	UNIT: MM	PROJECTION:	DESCRIPTION: MINI PCI EXPRESS CONN. 0.8MM PITCH 52PIN 5.2MM	
2								
1				APPROVAL:	SCALE: 1/1		PART NO: PCI52U2E-XX	REV: 1.0
NO.	DATE	DESCRIPTION	APPROVAL		SHEET: 2/3		DRAWING NO: P1PCI52U2E-XX-02	SIZE: A4