

Description

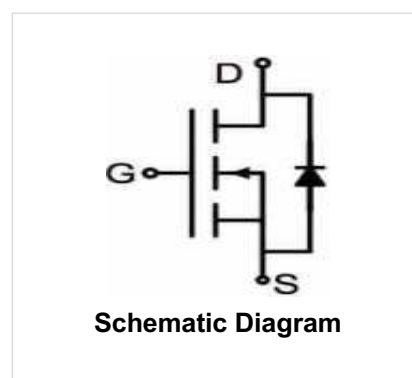
- The WTM2302 uses advanced trench technology to provide excellent $R_{DS(ON)}$, low gate charge and operation with gate voltages as low as 2.5V. This device is suitable for use as a battery protection or in other switching application.

Features

- $V_{DS} = 20V$, $I_D = 2.6A$
 $R_{DS(ON)} < 80m\Omega @ V_{GS}=2.5V$
 $R_{DS(ON)} < 56m\Omega @ V_{GS}=4.5V$
- High power and current handling capability
- Lead free product is acquired
- Surface mount package

Application

- Battery protection.
- Load switch
- Power management



Package and order information

Device	Device Marking	Device Package	Reel Size	Tape width	Quantity
WTM2302	2302	SOT-23	Ø180mm	8 mm	3000 pcs

Absolute Maximum Ratings (TA=25°C, RH=45%-75%, unless otherwise noted)

Parameter	Symbol	Value	Unit
Drain-Source Voltage	V_{DS}	20	V
Gate-Source Voltage	V_{GS}	±12	V
Drain Current-Continuous	I_D	2.6	A
Drain Current-Pulsed ^(Note 1)	I_{DM}	16	A
Maximum Power Dissipation	P_D	0.8	W
Operating Junction and Storage Temperature Range	T_J & T_{STG}	-55 to +150	°C

Thermal Characteristic

Parameter	Symbol	Value	Unit
Thermal Resistance and Junction-to-Ambient ^(Note 2)	$R_{\theta JA}$	139	°C/W

Electrical Characteristics (TA = 25°C unless otherwise noted)

Parameter	Symbol	Condition	Min	Typ	Max	Unit
Off Characteristics						
Drain-Source Breakdown Voltage	B _{VDS}	V _{GS} =0V, I _D =250μA	20	-	-	V
Zero Gate Voltage Drain Current	I _{DSS}	V _{DS} =20V, V _{GS} =0V	-	-	1	μA
Gate-Body Leakage Current	I _{GSS}	V _{GS} =±12V, V _{DS} =0V	-	-	±100	nA
On Characteristics (Note 3)						
Gate Threshold Voltage	V _{GS(th)}	V _{DS} =V _{GS} , I _D =250μA	0.5	0.75	1.2	V
Drain-Source On-State Resistance	R _{DS(on)}	V _{GS} =2.5V, I _D =2A	-	62	80	mΩ
		V _{GS} =4.5V, I _D =2.6A	-	42	56	mΩ
Forward Transconductance	g _{FS}	V _{DS} =5V, I _D =2.6A	-	8	-	S
Dynamic Characteristics (Note4)						
Input Capacitance	C _{iss}	V _{DS} =10V, V _{GS} =0V, F=1.0MHz	-	260	-	PF
Output Capacitance	C _{oss}		-	48	-	PF
Reverse Transfer Capacitance	C _{rss}		-	27	-	PF
Switching Characteristics (Note 4)						
Turn-on Delay Time	t _{d(on)}	V _{DD} =10V, R _L =3.3Ω V _{GS} =4.5V, R _{GEN} =6Ω	-	2.5	-	nS
Turn-on Rise Time	t _r		-	3.2	-	nS
Turn-Off Delay Time	t _{d(off)}		-	21	-	nS
Turn-Off Fall Time	t _f		-	3	-	nS
Total Gate Charge	Q _g	V _{DS} =10V, I _D =2.6A, V _{GS} =4.5V	-	2.9	5	nC
Gate-Source Charge	Q _{gs}		-	0.4	-	nC
Gate-Drain Charge	Q _{gd}		-	0.6	-	nC
Drain-Source Diode Characteristics						
Diode Forward Voltage (Note 3)	V _{SD}	V _{GS} =0V, I _S =2.6A	-	0.75	1.2	V
Diode Forward Current (Note 2)	I _S		-	-	2.6	A

Notes:

1. Repetitive Rating: Pulse width limited by maximum junction temperature.
2. Surface Mounted on FR4 Board, t ≤ 10 sec.
3. Pulse Test: Pulse Width ≤ 300μs, Duty Cycle ≤ 2%.
4. Guaranteed by design, not subject to production

Typical Electrical and Thermal Characteristics

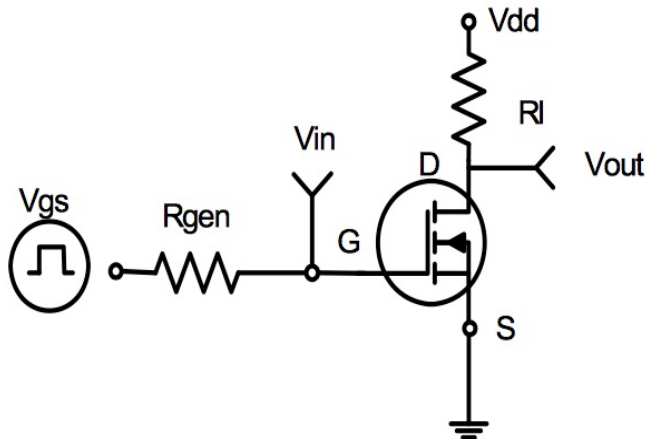


Figure 1 - Switching Test Circuit

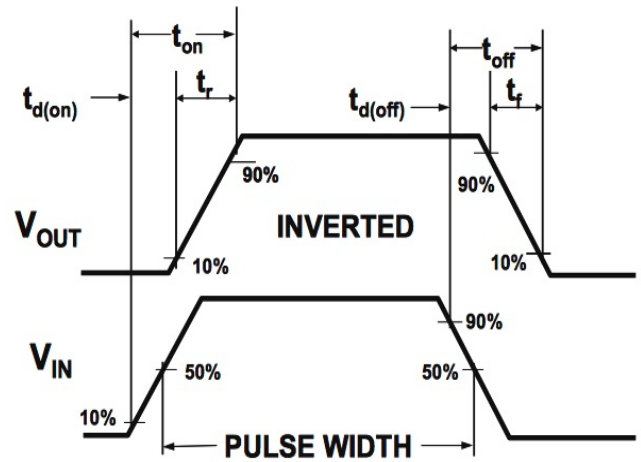


Figure 2 - Switching Waveforms

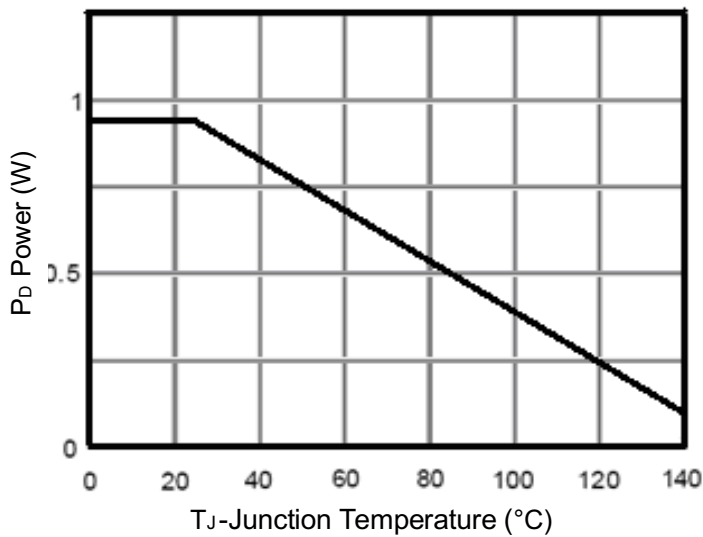


Figure 3 - Power Dissipation

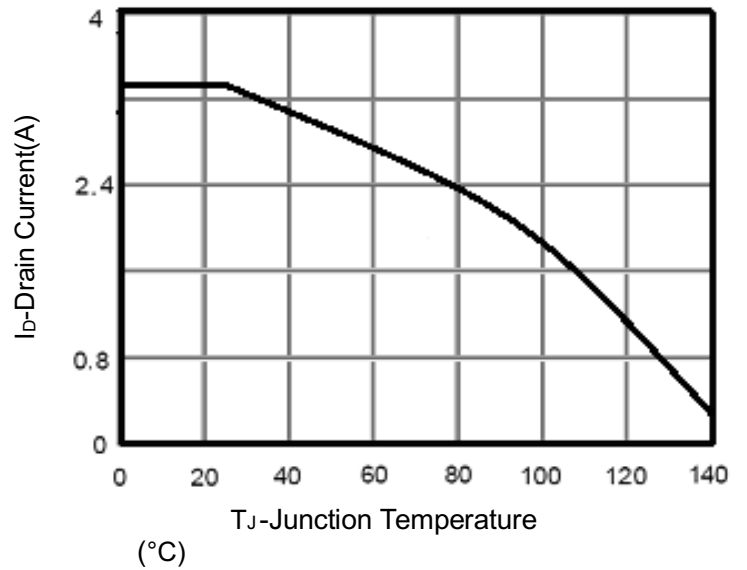


Figure 4 - Drain Current vs Temperature

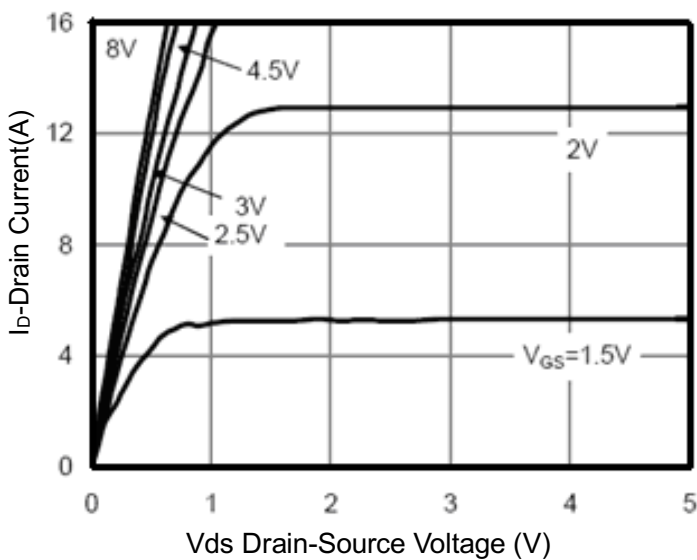


Figure 5 - Output Characteristics

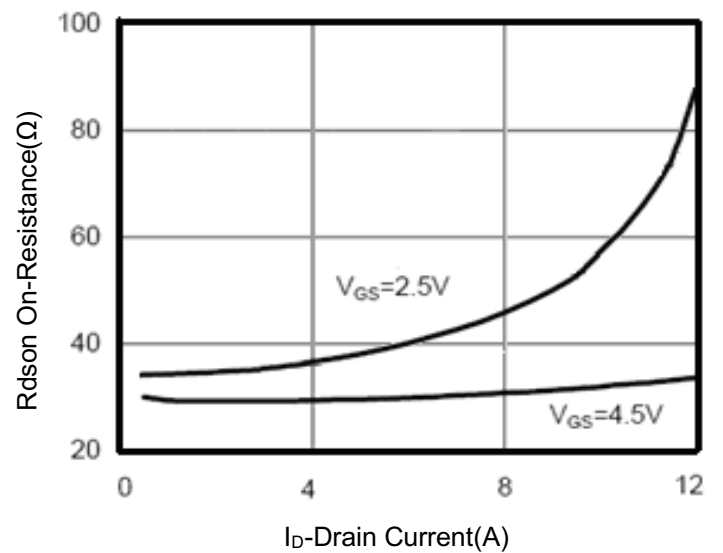


Figure 6 - Drain-Source On-Resistance

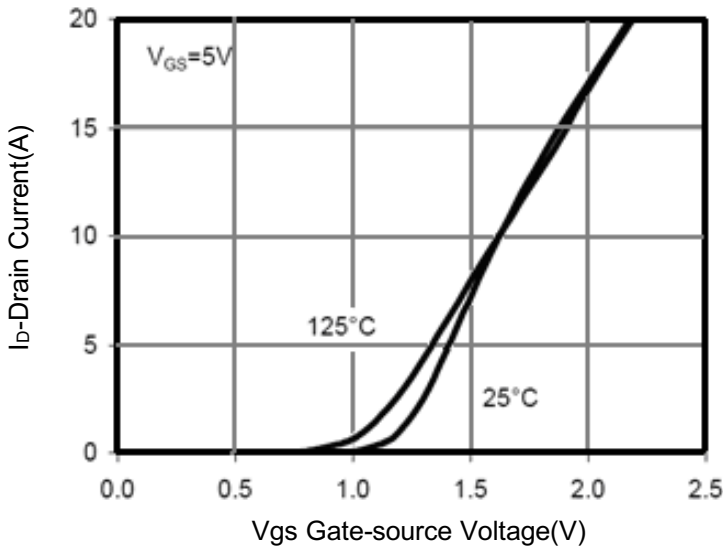


Figure 7 – Transfer Characteristics

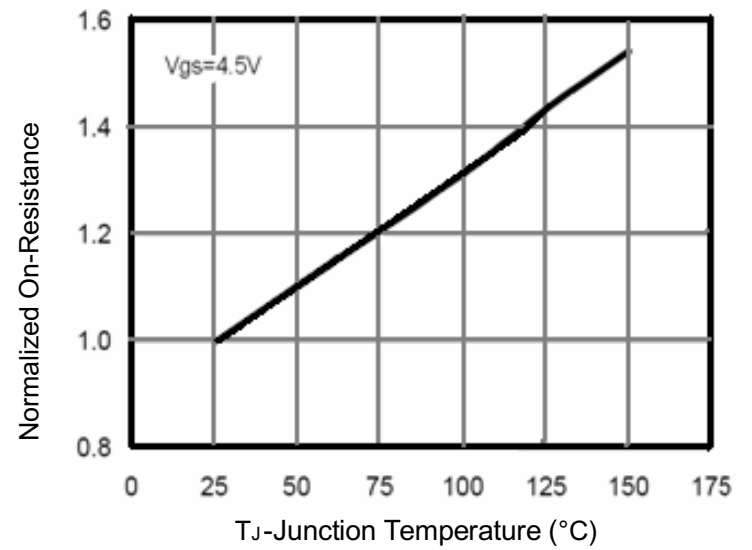


Figure 8 – Drain-Source On-Resistance

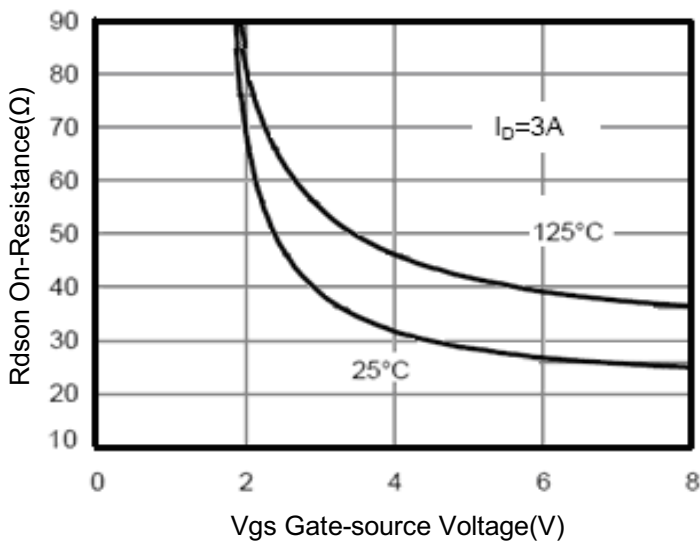


Figure 9 – Rdson vs Vgs

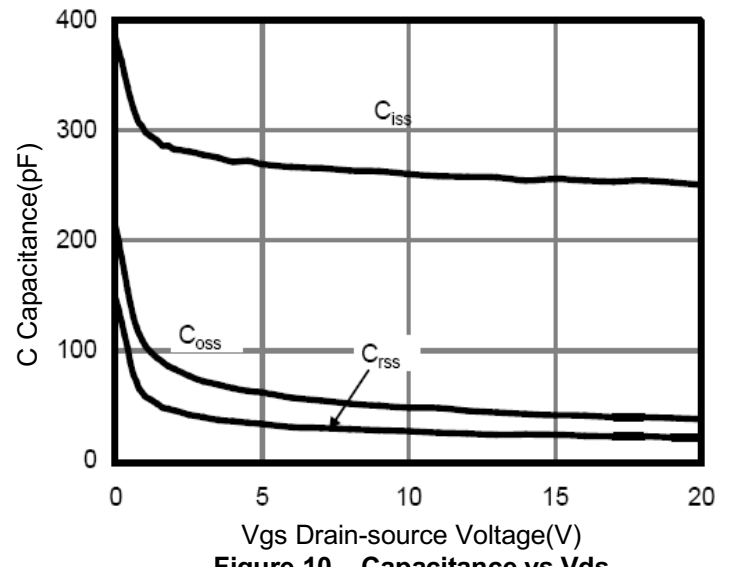


Figure 10 – Capacitance vs Vds

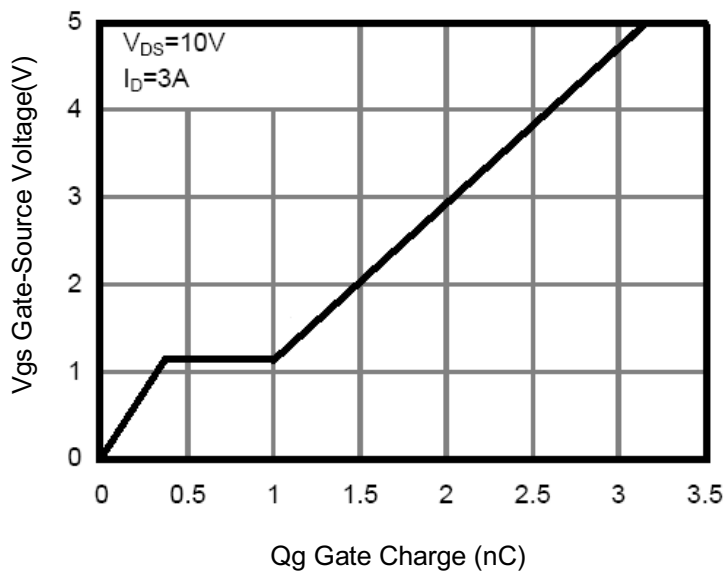


Figure 11 – Gate Charge

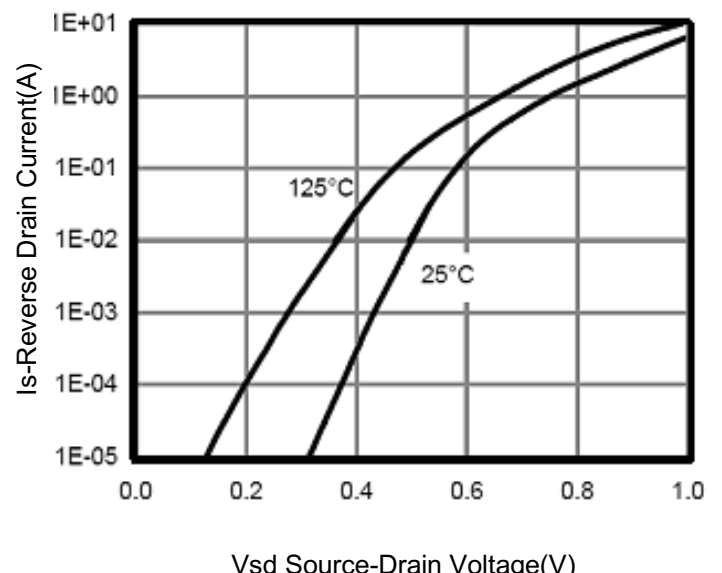


Figure 12 – Source-Drain Diode Forward

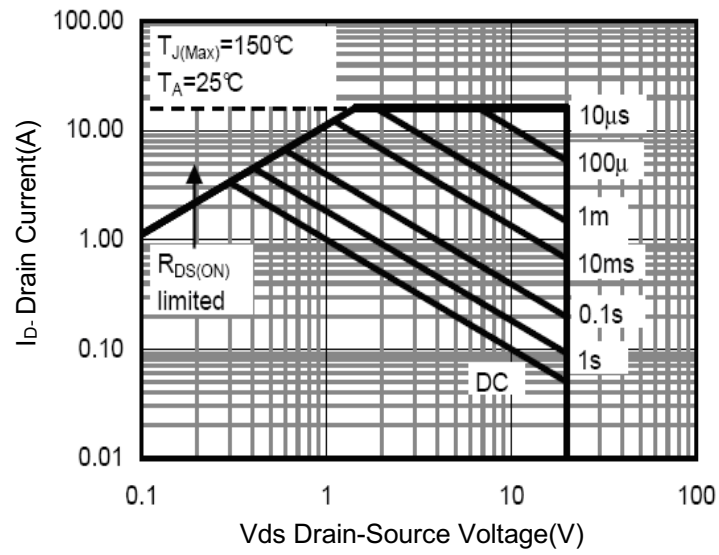


Figure 13 – Safe Operation Area

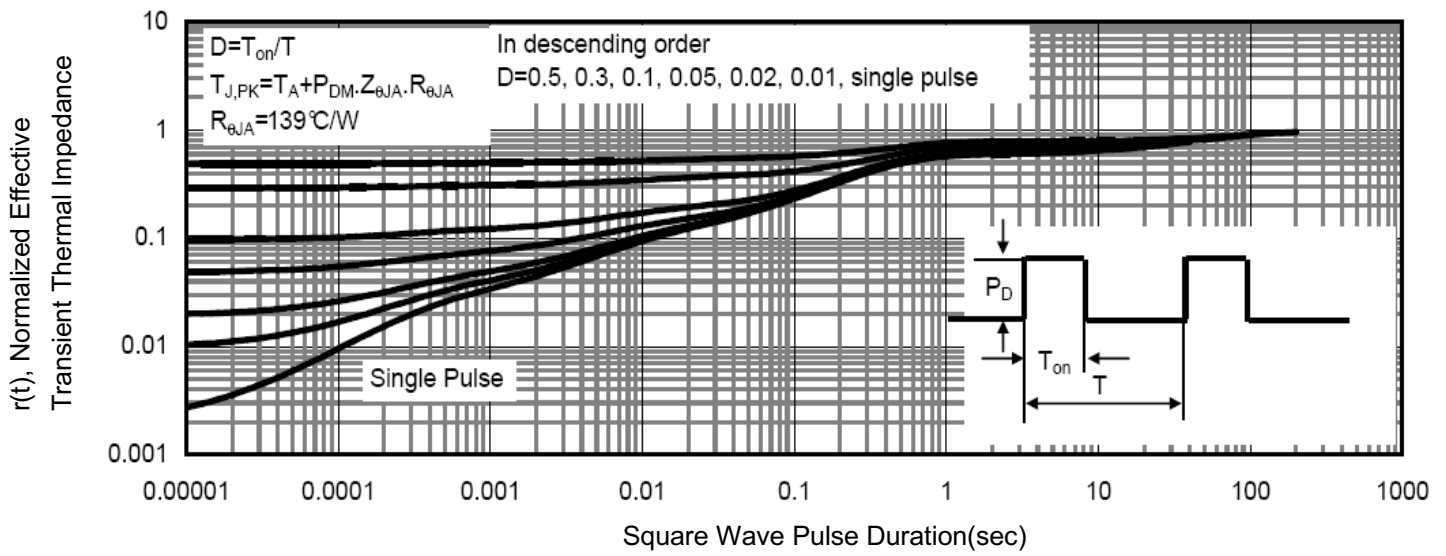
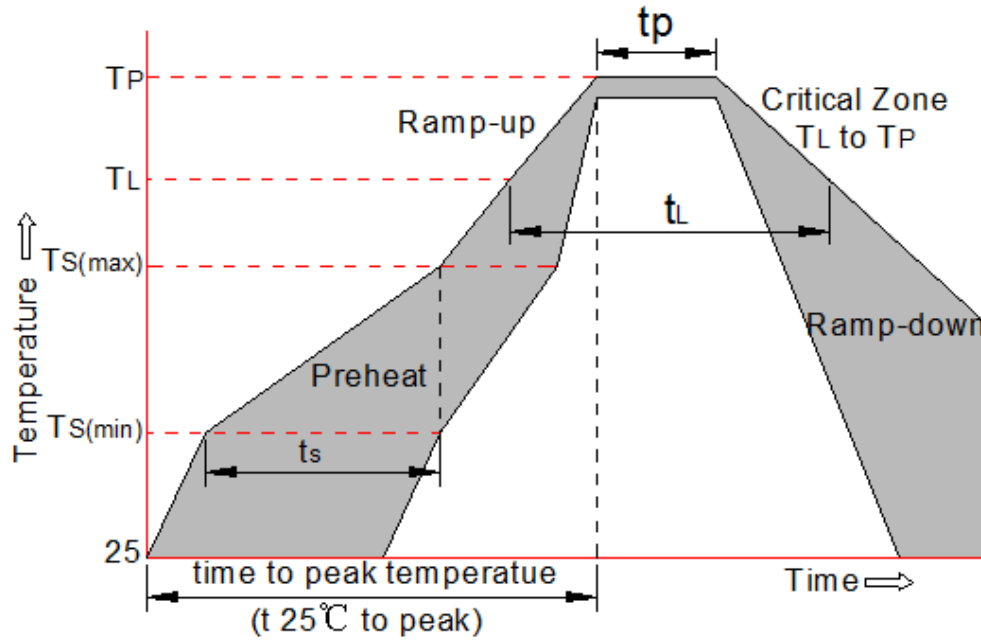


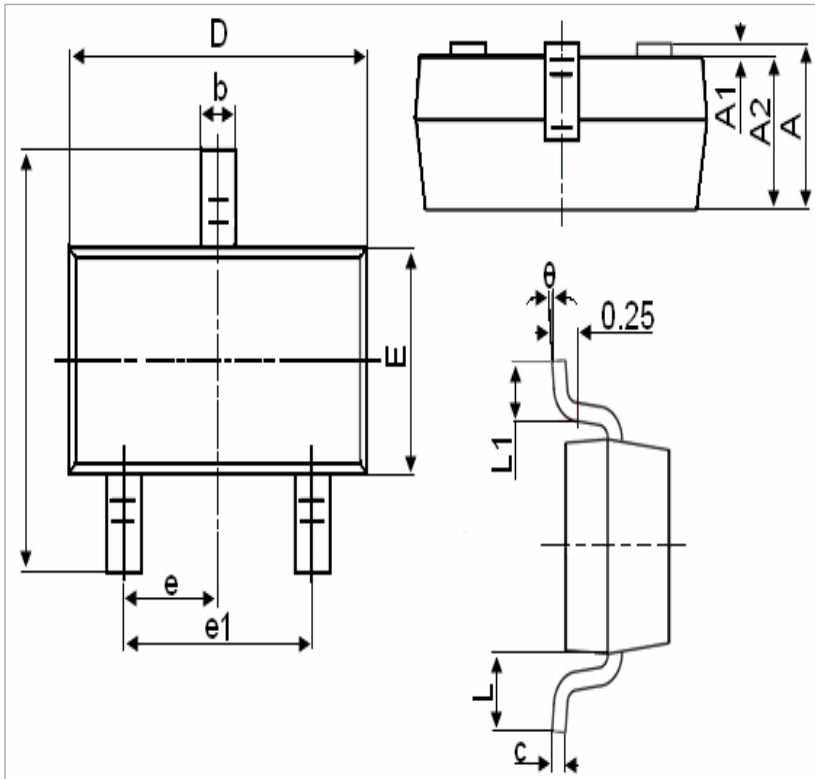
Figure 14 – Normalized Maximum Transient Thermal Impedance

Soldering parameters



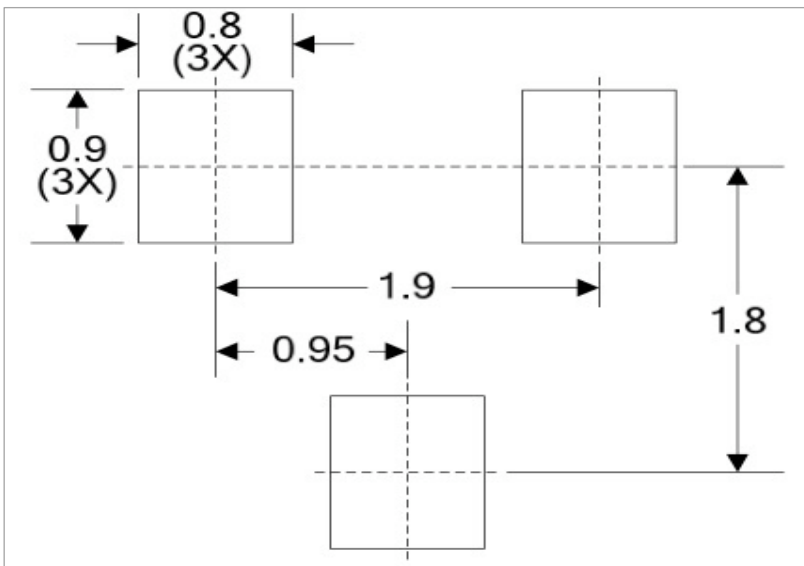
Reflow Condition		Pb-Free assembly
Pre Heat	-Temperature Min ($T_{s(min)}$)	+150°C
	-Temperature Max($T_{s(max)}$)	+200°C
	-Time (Min to Max) (t_s)	60-180 secs.
Average ramp up rate (Liquid us Temp (T_L) to peak)		3°C/sec. Max
$T_{s(max)}$ to T_L - Ramp-up Rate		3°C/sec. Max
Reflow	-Temperature(T_L) (Liquid us)	+217°C
	-Temperature(t_L)	60-150 secs.
Peak Temp (T_p)		+260(+0/-5)°C
Time within 5°C of actual Peak Temp (t_p)		30 secs. Max
Ramp-down Rate		6°C/sec. Max
Time 25°C to Peak Temp (T_p)		8 min. Max
Do not exceed		+260°C

Package Outline Dimensions (SOT-23)



Symbol	Dimensions in Millimeters	
	Min	Max
A	0.900	1.150
A1	0.000	0.100
A2	0.900	1.050
b	0.300	0.500
c	0.080	0.150
D	2.800	3.000
E	1.200	1.400
E1	2.250	2.550
e	0.950 TYP	
e1	1.800	2.000
L	0.55 REF	
L1	0.300	0.500
θ	0°	8°

Recommend PAD Layout



Notes:

1. All dimensions are in millimeters.
2. Tolerance ± 0.10 mm (4 mil) unless otherwise specified
3. Package body sizes exclude mold flash and gate burrs. Mold flash at the non-lead sides should be less than 5 mils.
4. Dimension L is measured in gauge plane.
5. Controlling dimension is millimeter, converted inch dimensions are not necessarily exact.