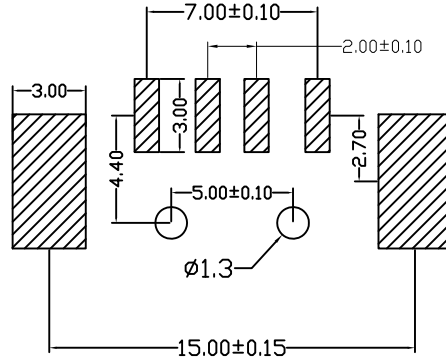
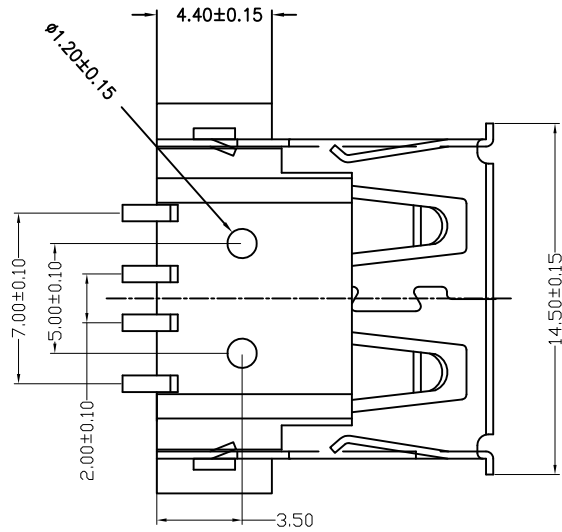
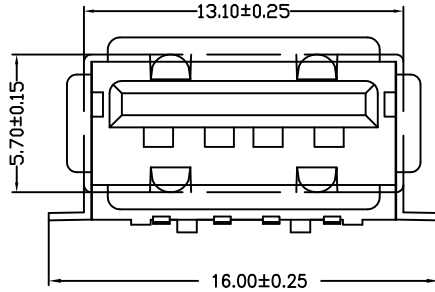
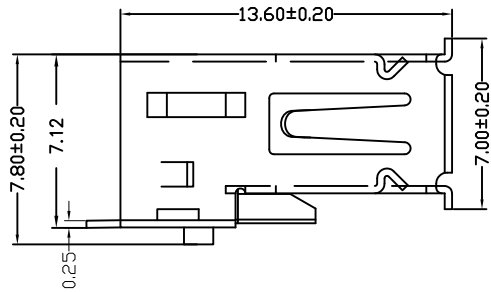


目錄 MAPX	设变内容 MODIFICATION	日期 DATE
△	侧弹变更	2013. 3. 10



PCB LAYOUT

NOTES:

Housing: Thermoplastics
 Contact: Copper Alloy
 Shell: Copper Alloy/Steel
 Voltage Current Rating: 1.5 AMP. 30V AC
 Insulation Resistance: 1000MΩ Min.
 Contact Resistance: 30 MΩ Max.
 Dielectric Withstanding Voltage: 500V AC
 Temperature Range: -35°C to +85°C
 Insulator color: Black/White
 Plastic material: PBT/LCP/Others
 Shell finish: Nickel plated/Tin-Lead plated
 Mechanical:
 Mating Force: 3.5KG MAX
 Unmating Force: 0.7 KG MIN.
 Contact finish:

- 01: Selective Gold Flash
- 02: Selective Gold 3U"
- 03: Selective Gold 5U"
- 04: Selective Gold 15U"
- 05: Selective Gold 30U"

备注：侧弹分为外弹与内弹

产品图 PRODUCT CHART DWG		深圳市精拓金电子有限公司					
公差一览表 TOLERANCE UNLESS OTHERWISE		单位 UNITS	MM	制图 DRAWING	Z-Y-B	产品料号 PRODUCT PART NO.	904-131A2032S10100
X.	±0.25	X'	±5'	比例 SCALE	审核 CHKD	产品名称 PRODUCT NO.	AF方脚贴板有边内弹铁壳LCP本色1.2柱
.X	±0.20	.X'	±2'				
.XX	±0.15	.XX'	±1'	日期 DATE	2015. 06. 20	核准 APPD	角法 VIEW
.XXX	±0.10	.XXX'	±0.5'			版本 VER	A0