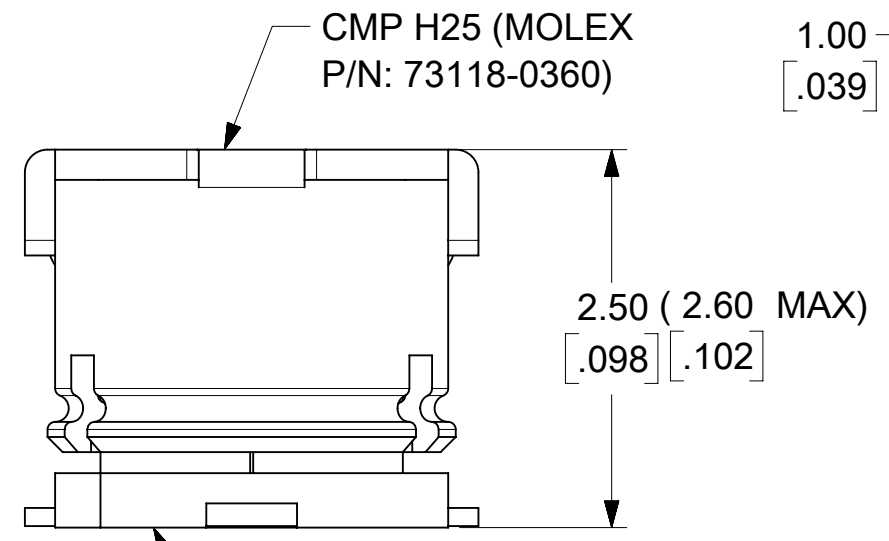
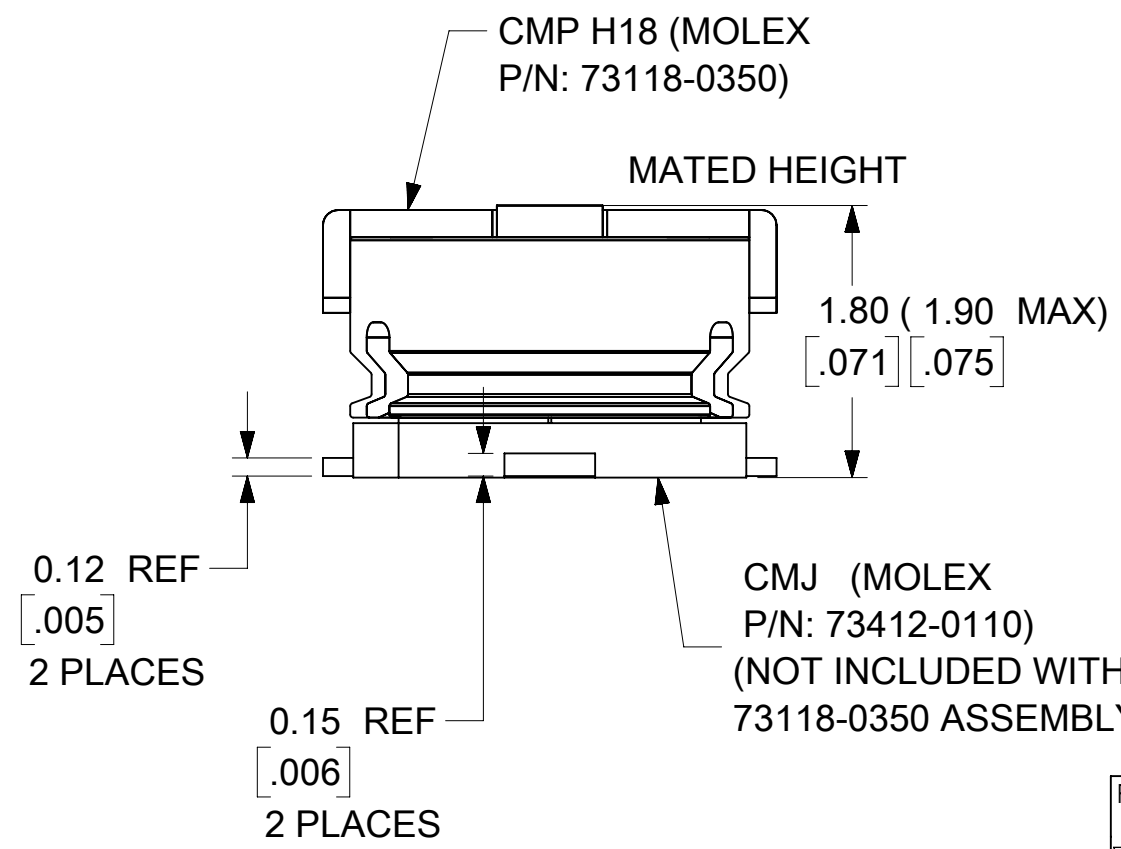
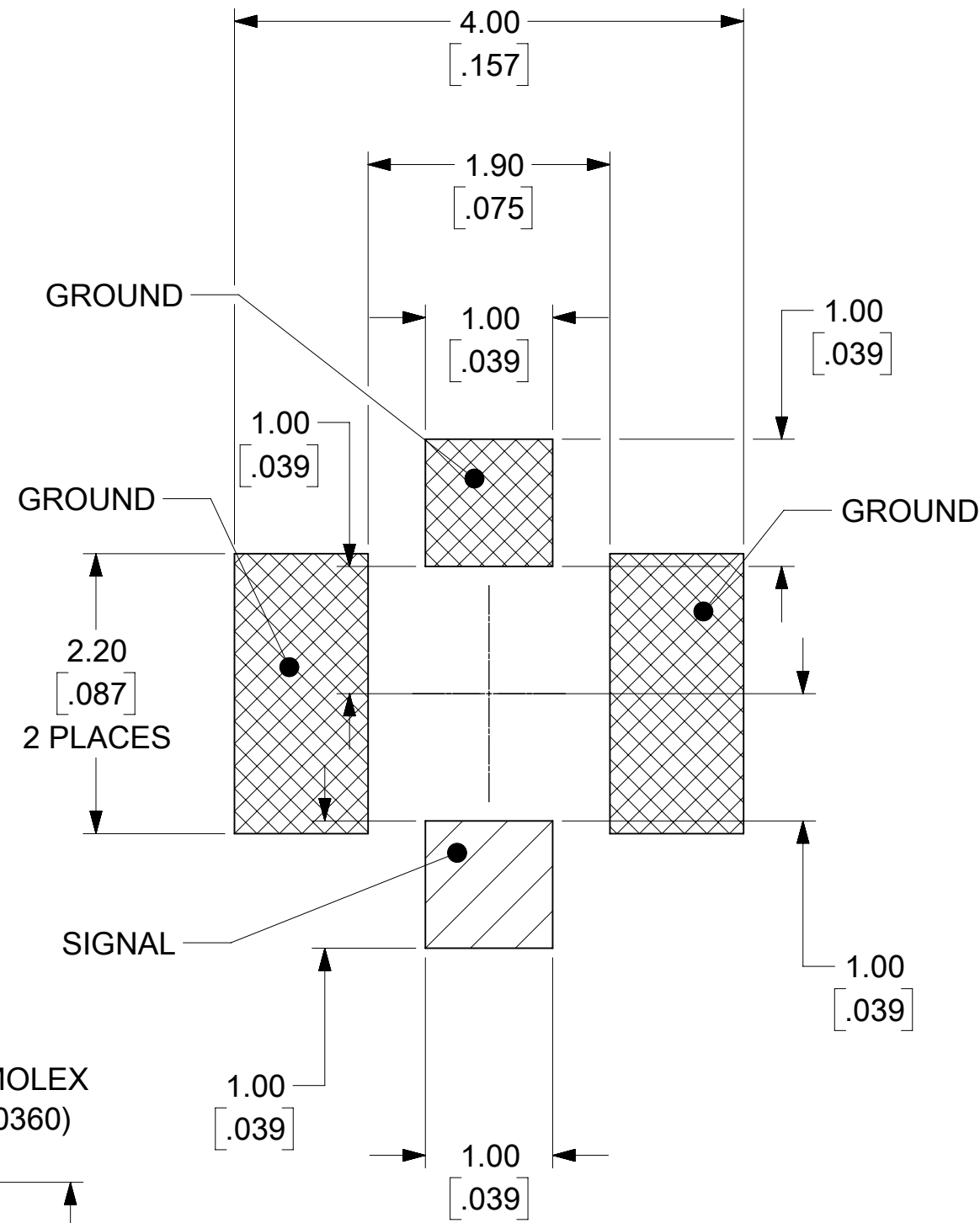
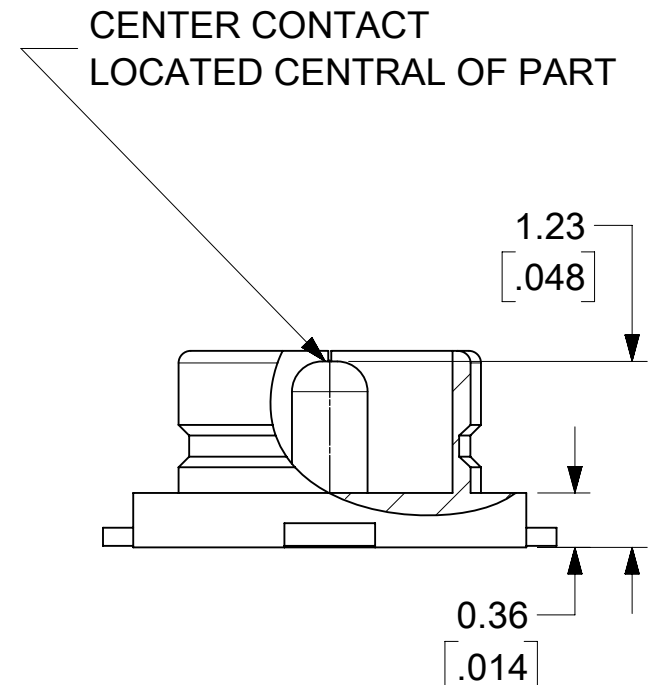
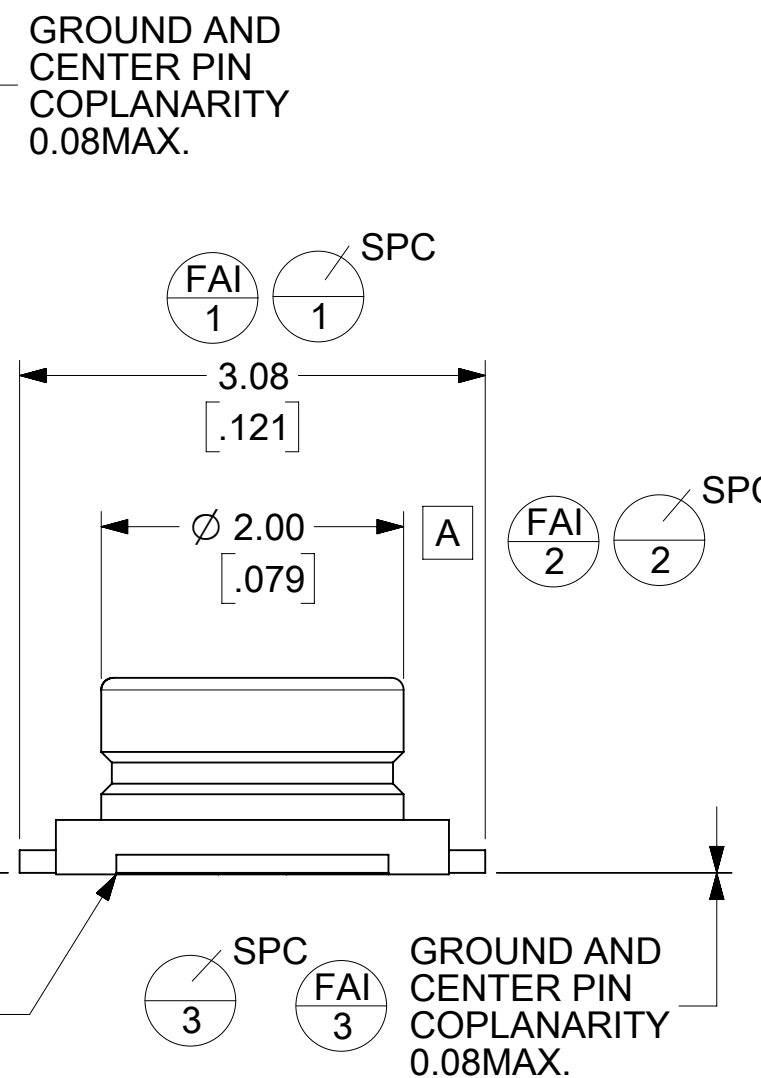
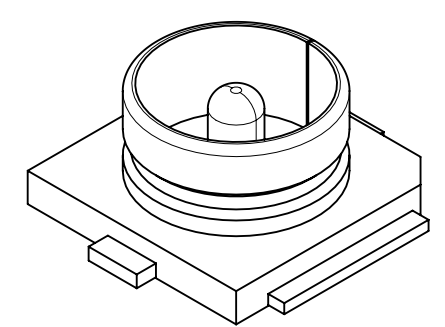


**MATERIAL AND FINISHES:**

BASE: LCP SIVERAS L304T40B  
 CONTACT: BRASS  
 C2680 (t=0.15)  
 PLATED: GOLD (0.03 MICROMETER MINIMUM) OVER  
 NICKEL (1~4 MICROMETER)  
 OUTER CONTACT: PHOSPHOR BRONZE(JIS 5191-SH)  
 C5210(t=0.12)  
 PLATED: GOLD (0.03 MICROMETER MINIMUM) OVER  
 NICKEL (1~4 MICROMETER)

WILL WITHSTAND REFLOW  
 TEMPERATURE OF  
 260 DEG C 40 SEC MAXIMUM

VSWR  
 DC-3GHz: 1.18 MAX  
 DC-6GHz: 1.30 MAX

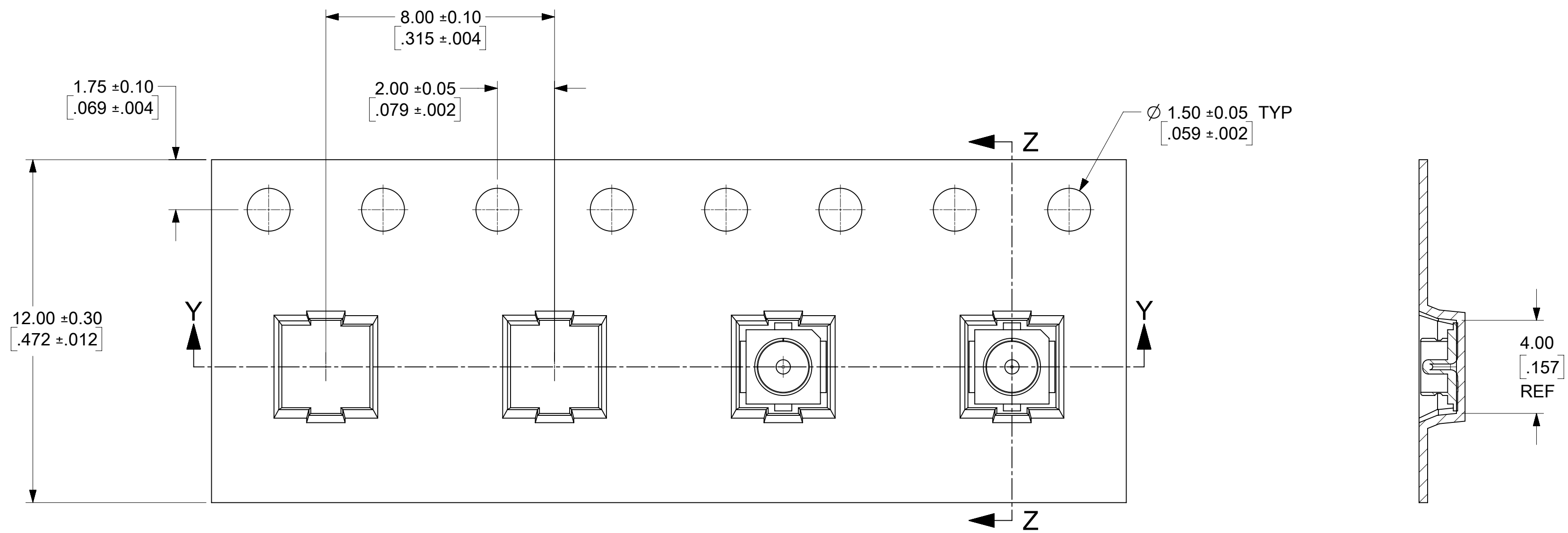


73412-0116	BAG (500 SETS)
73412-0114	TAPE AND REEL (1K/REEL)
73412-0110	TAPE AND REEL (5K/REEL)
PART NO.	PACKAGING

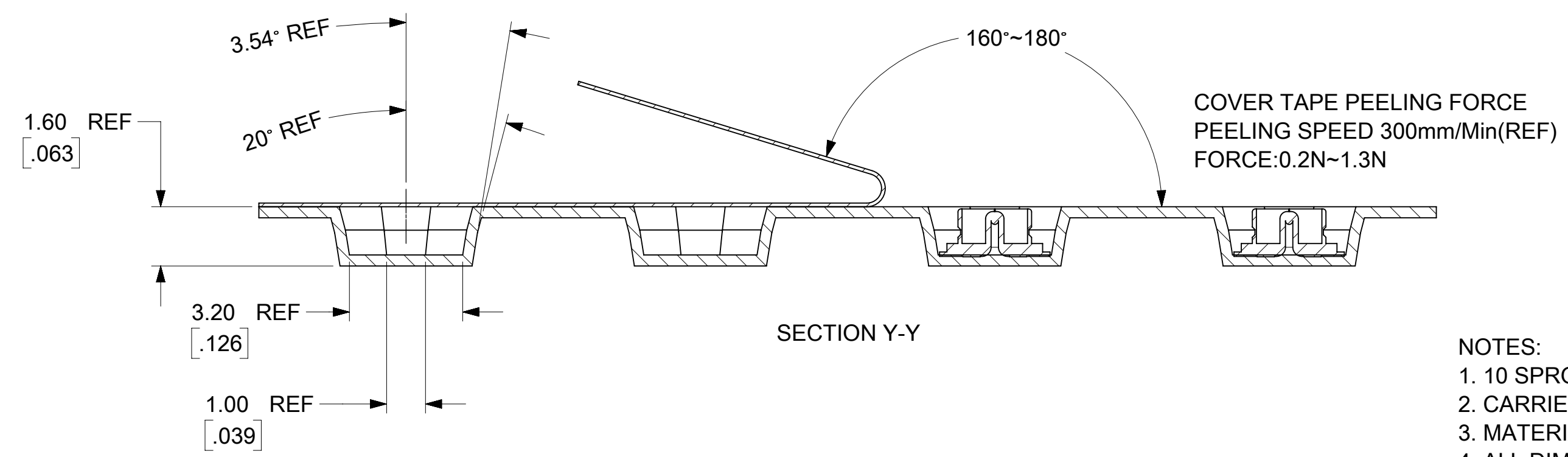
FUNCTIONAL SYMBOLS	THIS DRAWING CONTAINS INFORMATION THAT IS PROPRIETARY TO MOLEX ELECTRONIC TECHNOLOGIES, LLC AND SHOULD NOT BE USED WITHOUT WRITTEN PERMISSION		CURRENT REV DESC:	
	MM/INCH	NTS	UPDATE PACKAGE SPEC	
DIVISIONAL SYMBOLS	GENERAL TOLERANCES (UNLESS SPECIFIED)		EC NO: 656196	
	ANGULAR TOL ± 2.0°		DRWN: JSU18 2021/02/20	
4 PLACES ±		CHK'D: YCHENG 2021/02/24		
3 PLACES ±		APPR: YCHENG 2021/02/24		
2 PLACES ± 0.25		INITIAL REVISION:		
1 PLACE ± 0.13		DRWN: YCHENG 2005/03/15		
0 PLACES ±		APPR: MHUANG 2005/03/21		
DRAFT WHERE APPLICABLE MUST REMAIN WITHIN DIMENSIONS		THIRD ANGLE PROJECTION	DRAWING	SERIES
			C-SIZE	73412

<b>molex</b>				
				MCRF RECEPTACLE VERTICAL MCRF-J
PRODUCT CUSTOMER DRAWING				
DOCUMENT NUMBER		DOC TYPE	DOC PART	REVISION
SD-73412-011		PSD	001	C17
MATERIAL NUMBER	CUSTOMER	SHEET NUMBER		
SEE TABLE	GENERAL MARKET	1 OF 4		

PS-73598-0210	PROD SPEC
SPECIFICATION	DESCRIPTION
DOCUMENT STATUS	P1
RELEASE DATE	2021/02/24 09:06:03



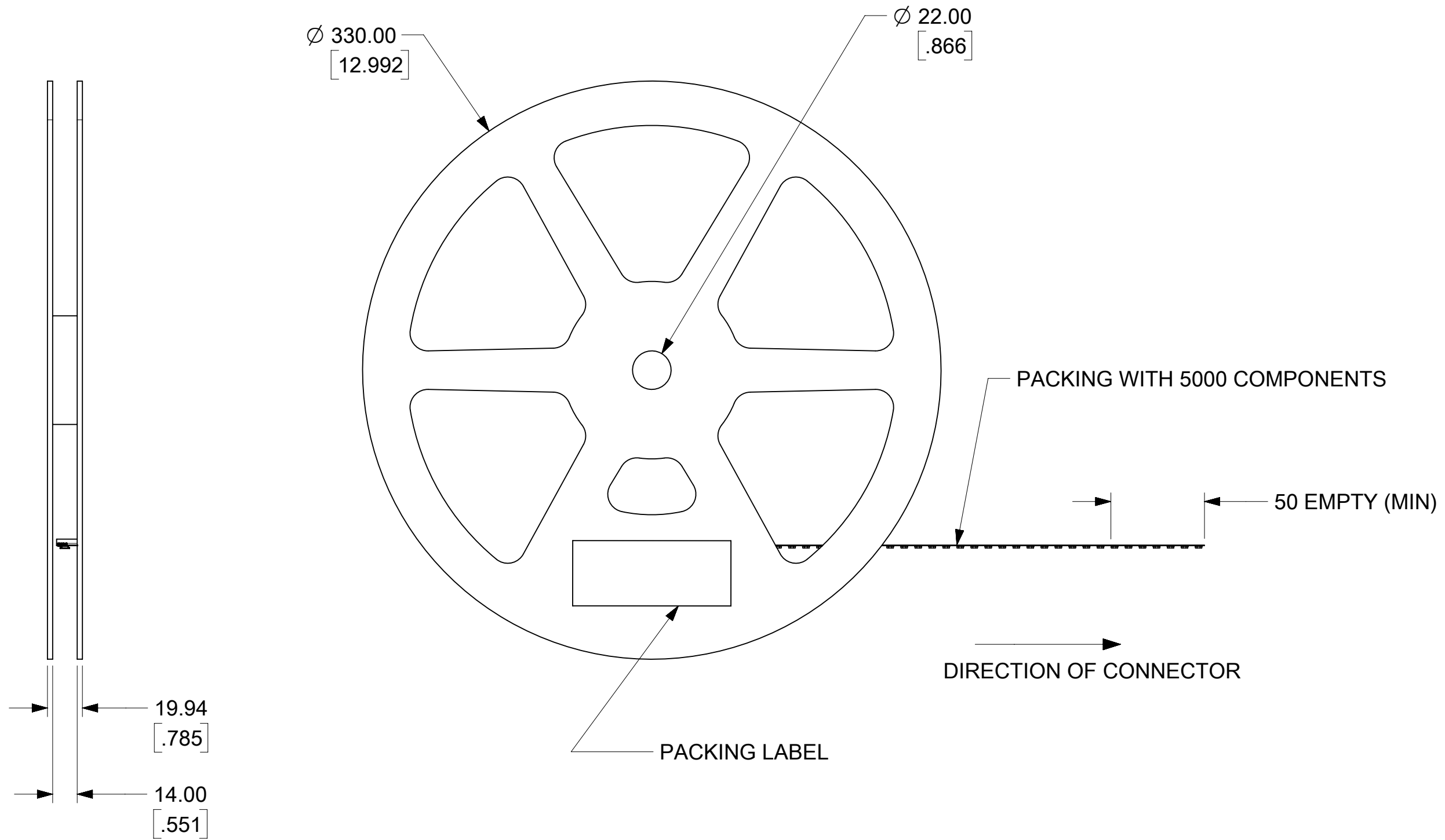
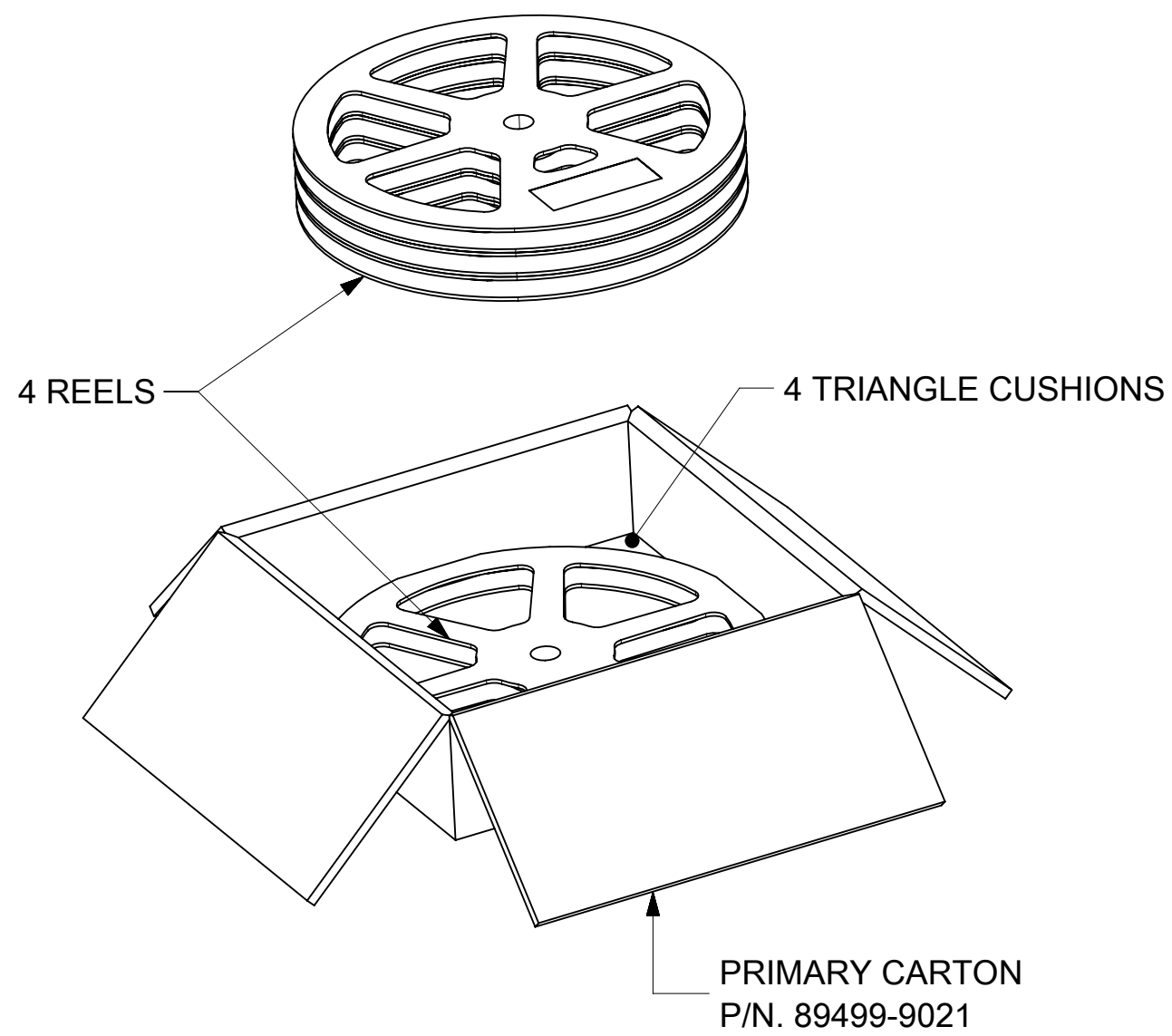
SECTION Z-Z



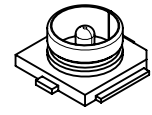
SECTION Y-Y

- NOTES:
- 10 SPROCKET HOLE PITCH CUMULATIVE TOLERANCE  $\pm 0.20\text{mm}$
  - CARRIER CAMBER IS WITH 1mm IN 250mm
  - MATERIAL : TRANSPARENT POLYSTYRENE
  - ALL DIMENSIONS MEET EIA-481-1 REQUIREMENT
  - COMPONENT LOAD PER 13" REEL (5,000 PCS),  
COMPONENT LOAD PER 7" REEL (1,000 PCS),

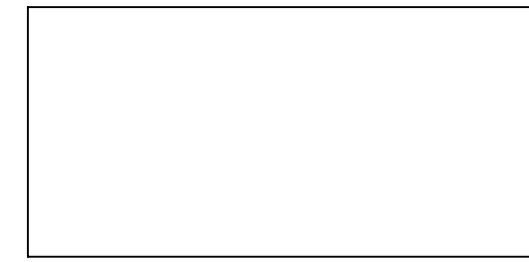
FUNCTIONAL SYMBOLS $\nabla_A = 0$ $\nabla_C = 0$ $\nabla_P = 0$ DIVISIONAL SYMBOLS	THIS DRAWING CONTAINS INFORMATION THAT IS PROPRIETARY TO MOLEX ELECTRONIC TECHNOLOGIES, LLC AND SHOULD NOT BE USED WITHOUT WRITTEN PERMISSION		CURRENT REV DESC:		
	DIMENSION UNITS	SCALE	UPDATE PACKAGE SPEC		
	MM/INCH	NTS	EC NO: 656196		
	GENERAL TOLERANCES (UNLESS SPECIFIED)		DRWN: JSU18 2021/02/20		
ANGULAR TOL $\pm 2.0^\circ$		CHK'D: YCHENG 2021/02/24		PRODUCT CUSTOMER DRAWING	
4 PLACES $\pm$		APPR: YCHENG 2021/02/24		DOCUMENT NUMBER	
3 PLACES $\pm$		INITIAL REVISION:		DOC TYPE	
2 PLACES $\pm 0.25$		DRWN: YCHENG 2005/03/15		DOC PART	
1 PLACE $\pm 0.13$		APPR: MHUANG 2005/03/21		REVISION	
0 PLACES $\pm$		THIRD ANGLE PROJECTION		SD-73412-011	
DRAFT WHERE APPLICABLE MUST REMAIN WITHIN DIMENSIONS		DRAWING		MATERIAL NUMBER	
		C-SIZE		SEE TABLE	
		SERIES		CUSTOMER	
		73412		GENERAL MARKET	
				SHEET NUMBER	
				2 OF 4	



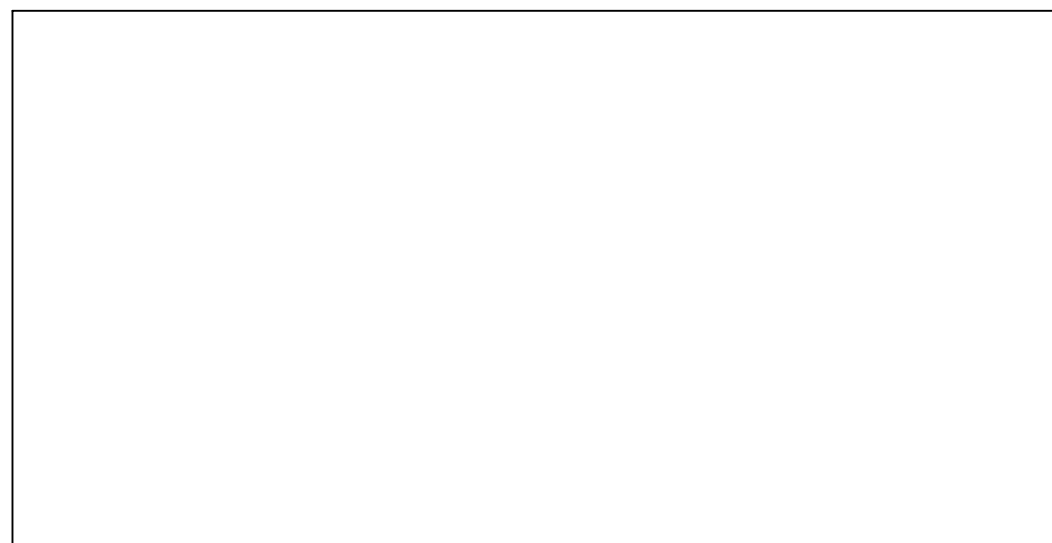
FUNCTIONAL SYMBOLS	THIS DRAWING CONTAINS INFORMATION THAT IS PROPRIETARY TO MOLEX ELECTRONIC TECHNOLOGIES, LLC AND SHOULD NOT BE USED WITHOUT WRITTEN PERMISSION											
	DIMENSION UNITS	SCALE	CURRENT REV DESC:							<b>molex</b>		
$\frac{F}{A} = 0$	MM/INCH	NTS	UPDATE PACKAGE SPEC									
$\frac{F}{C} = 0$	GENERAL TOLERANCES (UNLESS SPECIFIED)											
	ANGULAR TOL $\pm 2.0^\circ$											
DIVISIONAL SYMBOLS	4 PLACES	$\pm$	EC NO: 656196							2021/02/20		
	3 PLACES	$\pm$	DRWN: JSU18							2021/02/24		
	2 PLACES	$\pm 0.25$	CHK'D: YCHENG							2021/02/24		
	1 PLACE	$\pm 0.13$	APPR: YCHENG							2021/02/24		
0 PLACES	$\pm$	INITIAL REVISION:							2021/02/24			
DRAFT WHERE APPLICABLE MUST REMAIN WITHIN DIMENSIONS		THIRD ANGLE PROJECTION		DRAWING		SERIES		MATERIAL NUMBER		CUSTOMER		
				C-SIZE		73412		SEE TABLE		GENERAL MARKET		
DOCUMENT STATUS		P1	RELEASE DATE		2021/02/24	09:06:03		SD-73412-011		PSD	001	C17
3 OF 4												



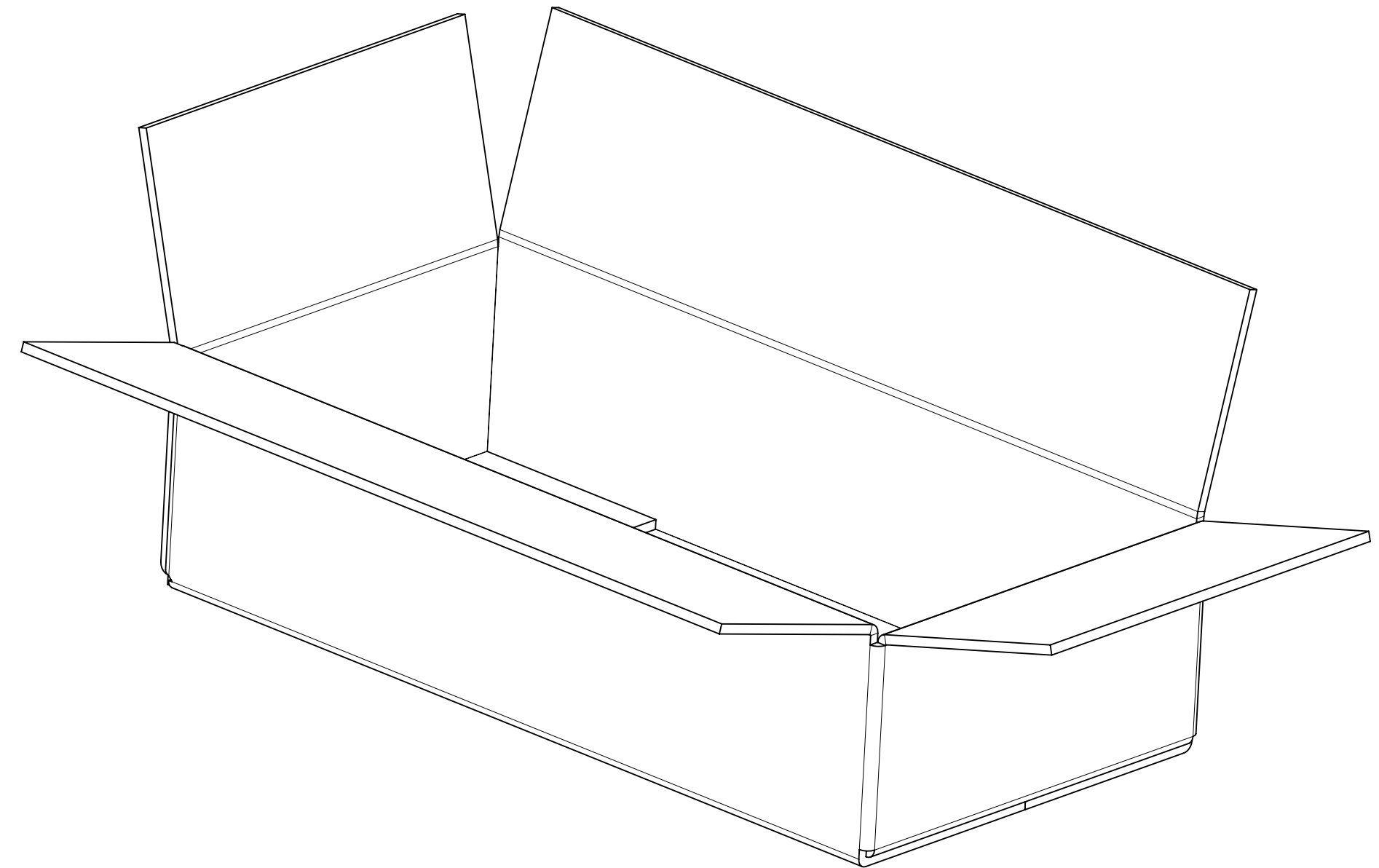
FOR 73412-0116 ONLY



10 SET PER POLYBAG  
P/N: 89707-0318



100 SET PER POLYBAG  
P/N: 89707-0001



500 SET PER OUTER CARTON BOX  
P/N: 96707-0003

FUNCTIONAL SYMBOLS	THIS DRAWING CONTAINS INFORMATION THAT IS PROPRIETARY TO MOLEX ELECTRONIC TECHNOLOGIES, LLC AND SHOULD NOT BE USED WITHOUT WRITTEN PERMISSION									
	DIMENSION UNITS	SCALE	CURRENT REV DESC:							
$\frac{F}{A} = 0$	MM/INCH	NTS	UPDATE PACKAGE SPEC							
$\frac{F}{C} = 0$	GENERAL TOLERANCES (UNLESS SPECIFIED)		EC NO: 656196			MCRF RECEPTACLE VERTICAL MCRF-J				
	ANGULAR TOL $\pm 2.0^\circ$		DRWN: JSU18 2021/02/20							
$\frac{F}{P} = 0$	4 PLACES $\pm$		CHK'D: YCHENG 2021/02/24			PRODUCT CUSTOMER DRAWING				
	3 PLACES $\pm$		APPR: YCHENG 2021/02/24							
DIVISIONAL SYMBOLS	2 PLACES $\pm 0.25$		INITIAL REVISION:			DOCUMENT NUMBER				
	1 PLACE $\pm 0.13$		DRWN: YCHENG 2005/03/15			SD-73412-011				
0 PLACES $\pm$		APPR: MHUANG 2005/03/21			DOC TYPE		DOC PART		REVISION	
DRAFT WHERE APPLICABLE MUST REMAIN WITHIN DIMENSIONS		THIRD ANGLE PROJECTION		DRAWING	SERIES	MATERIAL NUMBER		CUSTOMER		SHEET NUMBER
				C-SIZE	73412	GENERAL MARKET		4 OF 4		