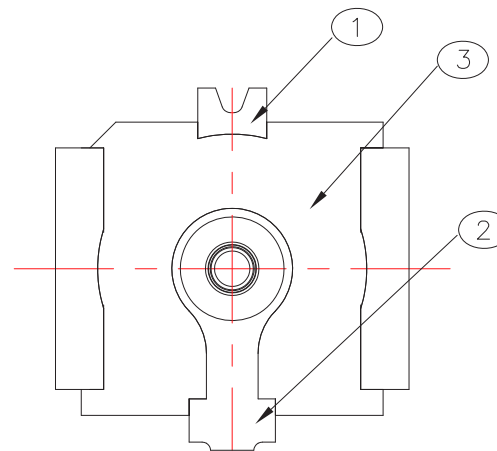
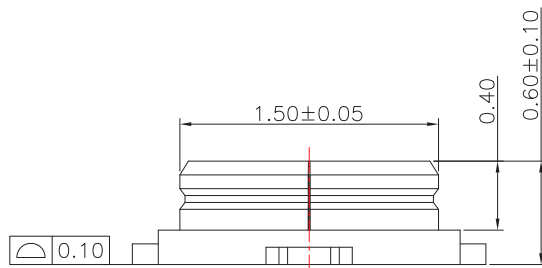


Recommended PCB Layout
(General Tolerance Is ± 0.05)

NOTE:

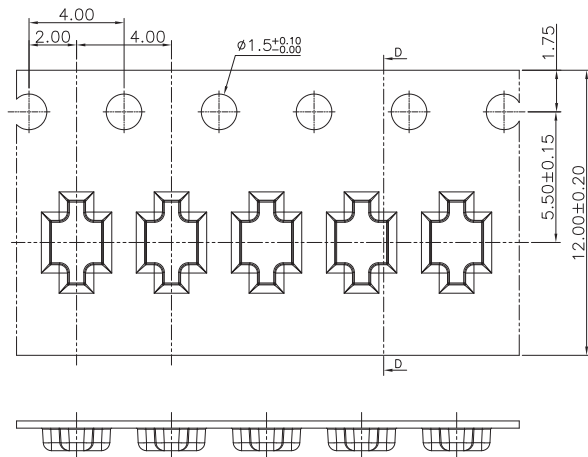
1. MATERIAL:
 - ① 1.1. HOUSING: LCP E6808, COLOR: BLACK, UL 94V-0;
 - ② 1.2. CONTACT: C2680, T=0.10mm;
 - ③ 1.3. SHELL: C5191, T=0.12mm.
2. FINISH:
 - 2.1. CONTACT: GOLD FLASH PLATED ON MATING AREA, GOLD FLASH ON SOLDER TAILS, 1.27um Min NICKEL PLATED UNDER OVER OF THE ALL;
 - 2.2. SHELL: GOLD FLASH ON THE ALL, 1.27um Min NICKEL PLATED UNDER OVER OF THE ALL;



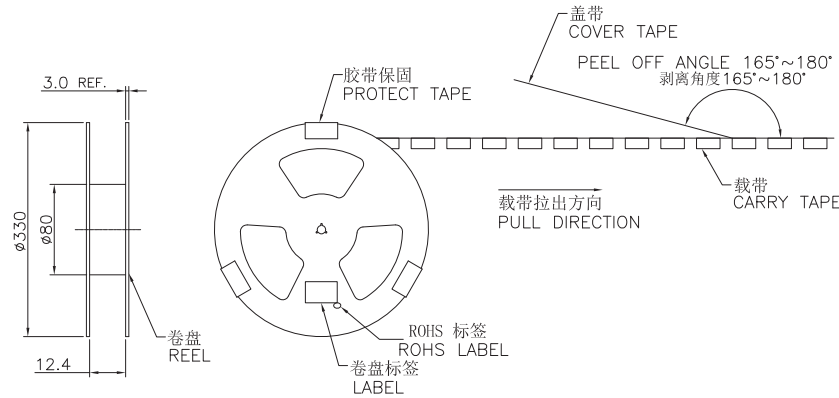
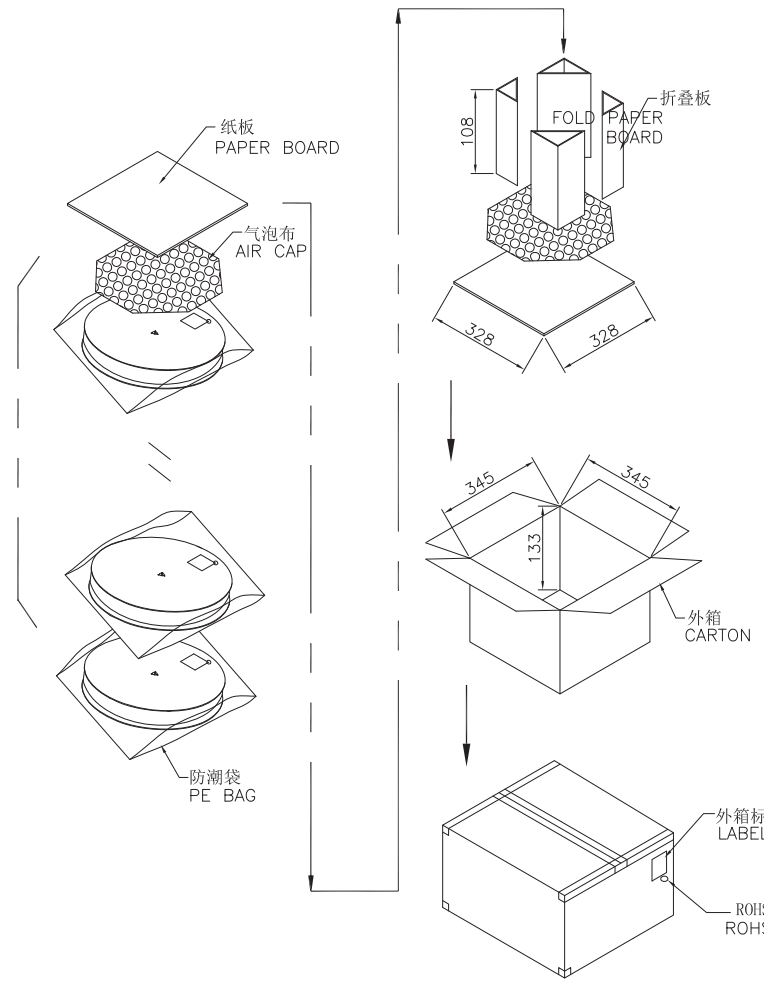
| | | | | | |
|---------------------------------------|---------------------|--|--|---|------------|
| MANUFACTURE DWG | |  东莞市讯普电子科技有限公司 DongGuan XunPu Electronics Co., Ltd | | | |
| UNLESS OTHERWISE SPECIFIED TOLERANCES | |  | TITLE: ULTRA SMALL SURFACE MOUNT COAXIAL CONN. USS RF SERIES | | |
| DECIMALS: | ANGLES: | | PAR | SP-RF-004 | |
| X.: ± 0.50 | X': $\pm 2^\circ$ | | DWN | KING | 2013.06.15 |
| X.X: ± 0.10 | X.X': $\pm 1^\circ$ | | CHKD | APVD | |
| X.XX: ± 0.05 | | SCALE: 1:1 | UNIT: MM |  | |
| | | CUSTOMER COPY | SIZE: A4 | SHEET: 1F1 | REV: A |

ROHS Compliant

| | | | | |
|------|--------------|------|------|---------|
| MAPX | MODIFICATION | DATE | DRAW | APPROVE |
| | | | | |



ROHS
ROHS标签
ROHS LABEL



1: 包装内容
INFORMATIONS OF THE PACKING

| 品名 (TITLE) | 料号 (P/N) | 一卷包装数量 Q'TY/REEL | 一箱包装数量 Q'TY/CARTON |
|----------------------|-----------|---------------------|-----------------------|
| RF1.2H REC CONNECTOR | SP-RF-004 | 5000PCS | 20000PCS |

| | | | | | |
|---------------------------------------|----------|---|---|-----------|------------|
| MANUFACTURE DWG | | 东莞市讯普电子科技有限公司 DongGuan XunPu Electronics Co.,Ltd | | | |
| UNLESS OTHERWISE SPECIFIED TOLERANCES | | | TITLE:ULTRA SMALL SURFACE MOUNT COAXIAL CONN. USS RF SERIES | | |
| DECIMALS: | ANGLES: | | PAR | SP-RF-004 | |
| X.:±0.50 | X'.:±2' | | DWN | KING | 2013.06.15 |
| X.X:±0.10 | X.X':±1' | | CHKD | APVD | |
| X.XX:±0.05 | | SCALE:1:1 | UNIT:MM | | |
| CUSTOMER COPY | | SIZE:A4 | SHEET:1F1 | REV:A | |