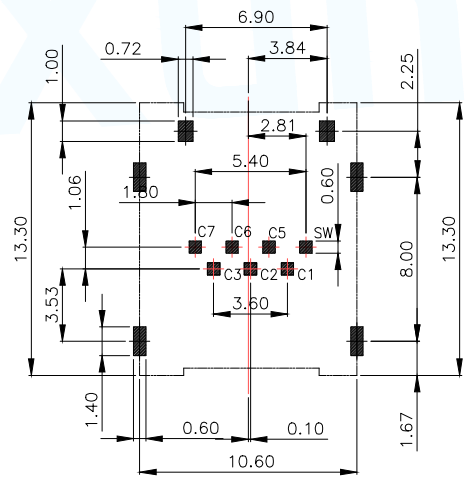


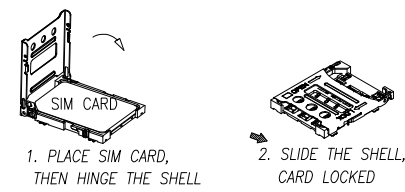
【 SIM Card Pin Assignments 】

PIN	Name
C1	Vcc
C2	RST
C3	CLK
C4	Reserved
C5	GND
C6	Vpp
C7	I/O
C8	Reserved

- NOTES:
- MATERIAL:SEE TABLE
 - SPECIALITY:
 - Rated current: 0.5A Max
 - Rated voltage: 30V AC
 - Contact Resistance:100mohm MAX
 - Insulation Resistance:1000Mohm MIN 500V DC
 - Dielectric withstanding voltage: 500V AC/minute.
 - Solder ability:250±510±0.5s.
 - Durability:5000 Cycles
 - Mating and Unmating force
Insertion Force 10N Max
Withdrawal Fore 0.5N Min

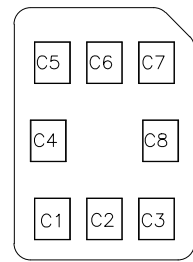
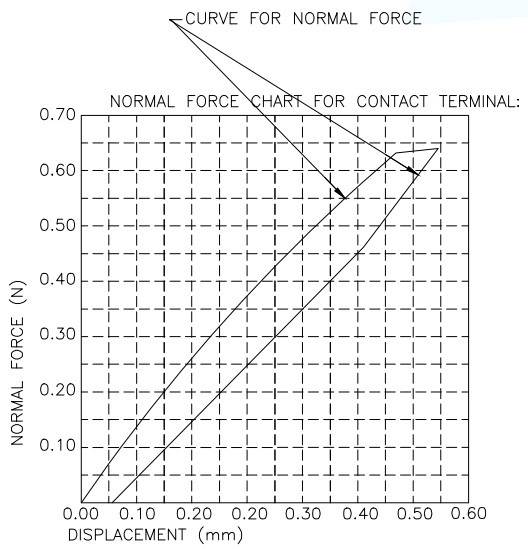


RECOMMENDED PCB LAYOUT TOP VIEW (TOLERANCE:±0.05)
RECOMMENDED MATAL MASK T=0.12MM



SW Circuit Description for Connector:

CARD INSERTION STATE	DETECT AWITCH CIRCUIT STATE	SCHEMATIC
UNMATED	OPENED	DETECT PIN [C4] - [C5]
MATED	CLOSED	DETECT PIN [C4] - [C5]



③	TERMINAL	6	C5210-EH,T=0.12	Au 3u" PLATING
②	BASE INSULATOR	1	LCP+GF30%	BLACK
①	SHELL	1	SUS304-H,T=0.15	AU/Ni PLATING
NO.	PART NAME	Q'TY	DESCRIPTION	NOTE

MANUFACTURE DWG

UNLESS OTHERWISE SPECIFIED TOLERANCES

DECIMALS: X.:±0.50 X.X:±0.20 X.XX:±0.10

ANGLES: X'.:±2° X.X':±1°

CUSTOMER COPY

PAR SMN-306-ARP7

DWN ALLEN 2015.05.26

CHKD APVD

SCALE:1:1 UNIT:MM

SIZE:A4 SHEET:1F1 REV:A

东莞市讯普电子科技有限公司
DongGuan XunPu Electronics Co.,Ltd

TITLE:6PIN 1.35H HINGE NANO SIM CARD CONN.