

IPX6

Waterproof grade:

ITEM	Part No
X6	TYPEC-242WR-ACP6X6
X7	TYPEC-242WR-ACP6X7
X8	TYPEC-242WR-ACP6X8

PIN ASSIGNMENTS:

PIN NO	B12	B9	A5	B5	A9	A1
SIGNAL NAME	GND	VBUS	CC1	CC2	VBUS	GND
PCB PAD NO	C1	C2	C3	C4	C5	C6

SPECIFICATION:

- ELECTRICAL CHARACTERISTICS:
 - CURRENT RATING: 2.5A
 - CONTACT RATED VOLTAE: 30V AC
 - TEMPERATURE RANGE: -40°C ~ +85°C
 - CONTACT RESISTANCE: 40 MILLIONHM MAX
AFTER TEST: CHANGE OF+10 MILLIONHM
 - DIELECTRIC WITHSTANDING VOLTAGE: 100 VAC r.m.s
 - INSULATION RESISTNACE: 100 MEGOHMS MIN
- MECHANICAL CHARACTERISTICS
 - INSERTION FORCE: 5N~20N
 - EXTRACTION FORCE: INITIAL: 8N~20N;
DURABILITY: 6N~20N;
 - DURABILITY: 10,000CYCLES
- WATERPROOF TEST:
 - INFLATION PRESSURE: 20Kpa
 - INFLATION TIME: 3SEC

ITEM	Description	Qty	Material	Remarks
1	HOUSING	1PCS	HIGH TEMPERATURE PLASTIC	BLACK
2	SHELL HOUSING	1PCS	HIGH TEMPERATURE PLASTIC	BLACK
3	CONTACT	1PCS	COPPER ALLOY	TIN/Au/NI Plated
4	SHIELDING PLATE	1PCS	STAINLESS STEEL	NI Plated
5	SHELL	1PCS	STAINLESS STEEL	NI Plated
6	O-RING	1PCS	SILICA GEL	BLACK

MANUFACTURE DWG

UNLESS OTHERWISE SPECIFIED TOLERANCES

DECIMALS: X:±0.5
X.X:±0.3
X.XX:±0.2

ANGLES: X:±2°
X.X:±1°



CUSTOMER COPY

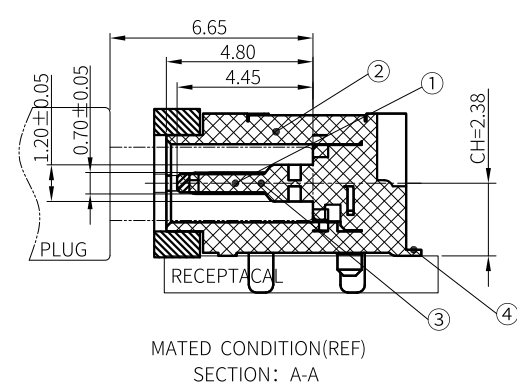
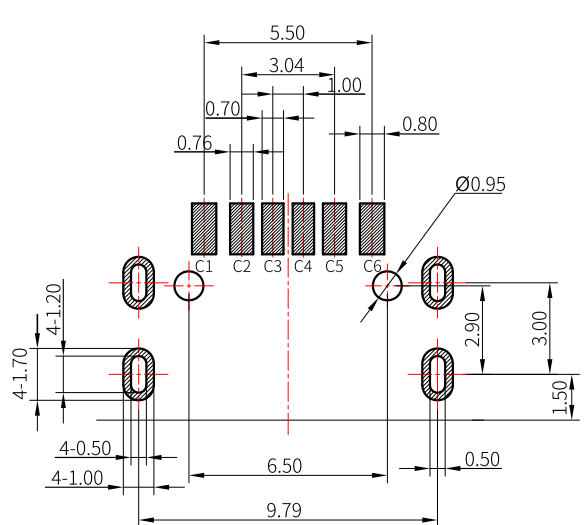
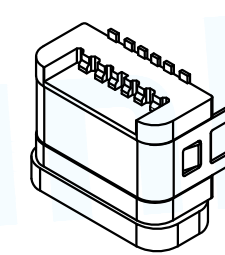
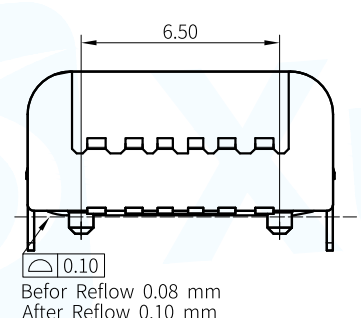
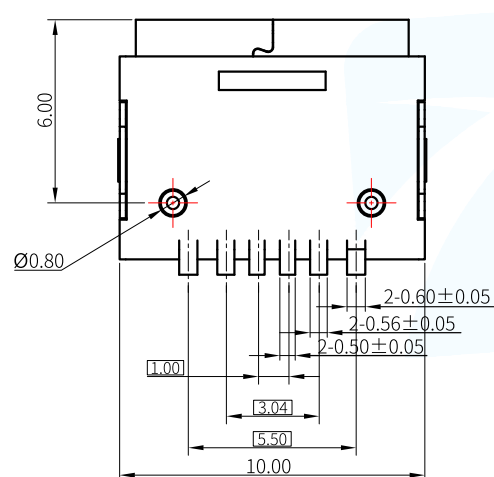
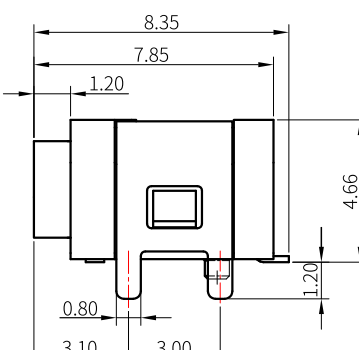
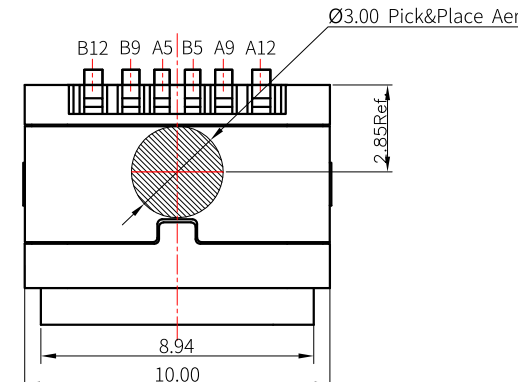
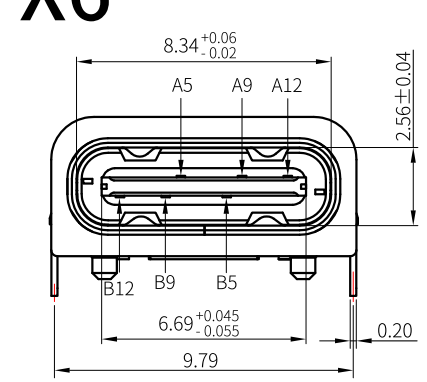
东莞市讯普电子科技有限公司
DongGuan XunPu Electronics Co, Ltd

TITLE: Type.C 6PIN DIP CONN.
W/P CONN RECPTACLE

PAR	TYPEC-242-ACP6X6
DWN	KING
CHKD	2016.07.12
APVD	

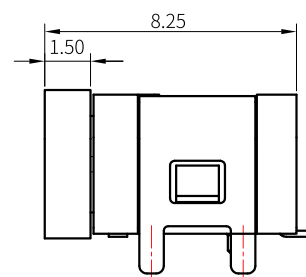
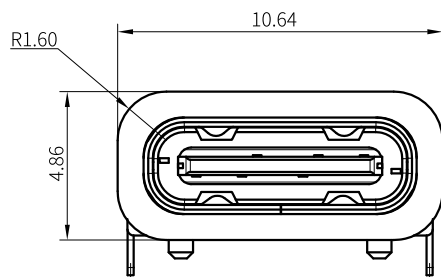
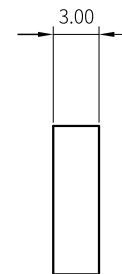
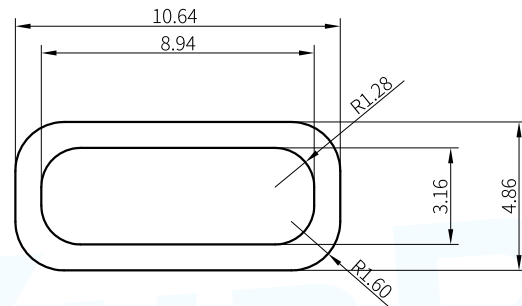
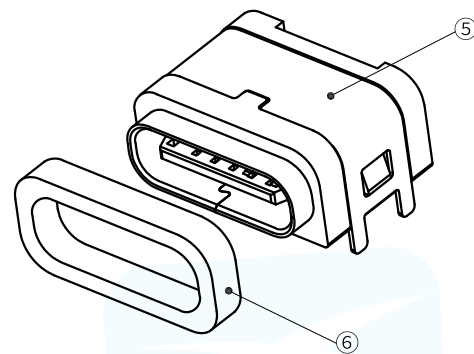
SCALE 1:1 UNIT: mm

SIZE:A4 SHEET:1F1 REV:A



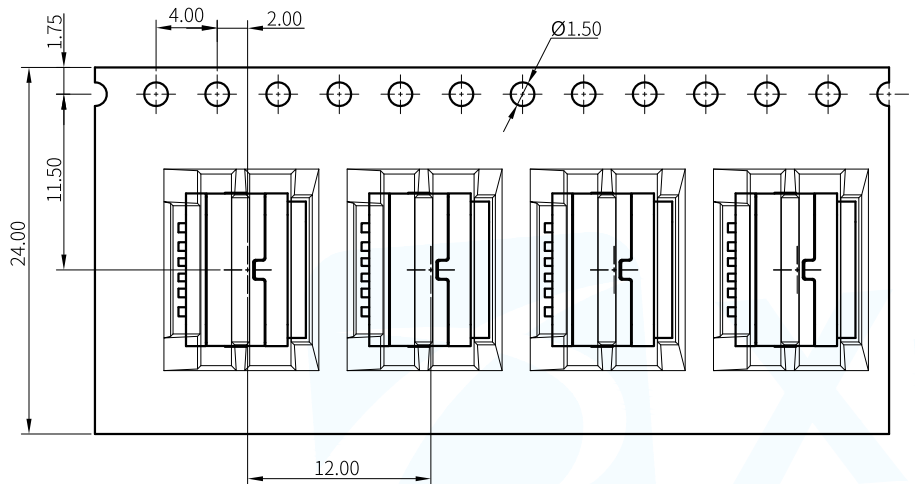
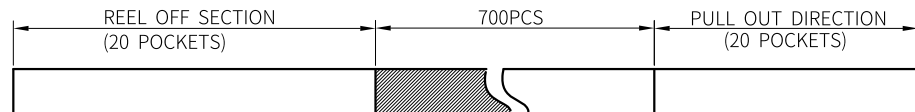
RECOMMENDED P.C.B LAYOUT (COMPONENT SIDE)
PCB THICKNESS: 0.80±0.05mm
DEFAULT TOLERANCE: ±0.05mm

12	13	14	15
MAPX	MODIFICATION	DATE	APPROVE

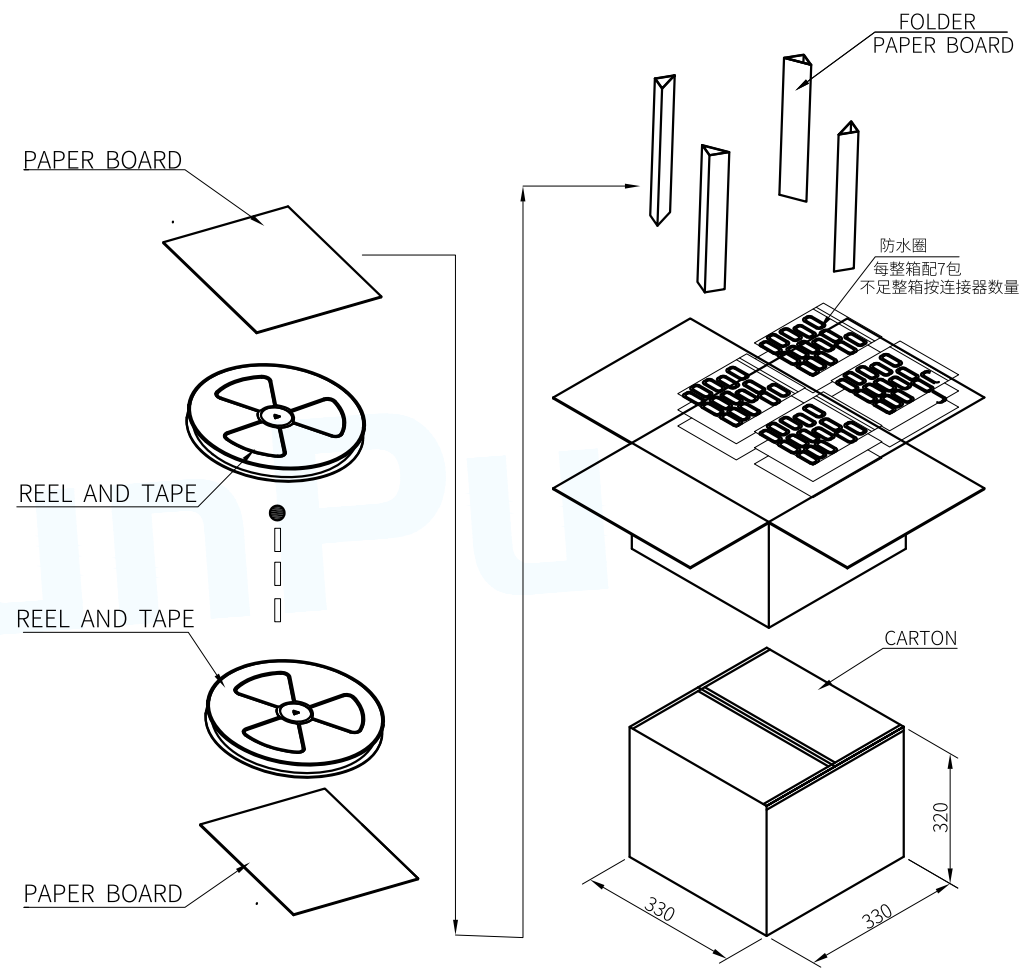
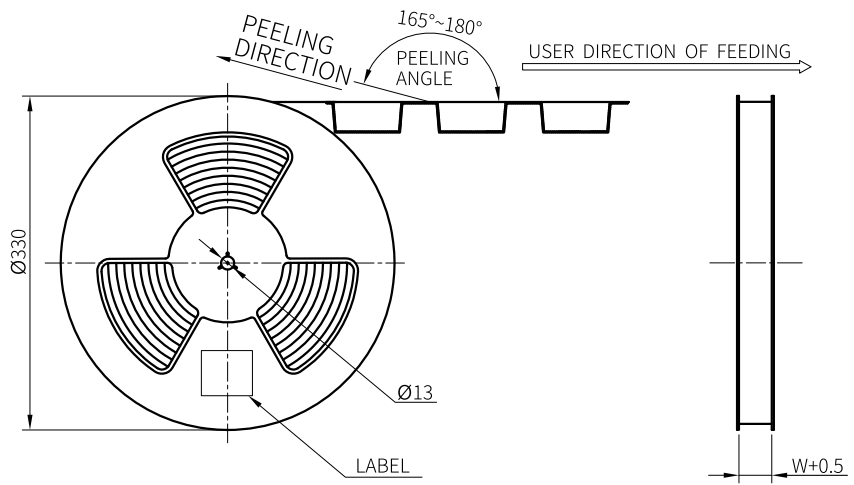


MATED O-RING DIM.

MANUFACTURE DWG		 东莞市讯普电子科技有限公司 DongGuan XunPu Electronics Co,Ltd			
UNLESS OTHERWISE SPECIFIED TOLERANCES			TITLE: Type.C 6PIN DIP CONN. W/P CONN RECPTACLE		
DECIMALS:	ANGLES:		PAR	TYPEC-242-ACP6X6	
X:±0.5	X:±2°		DWN	KING	2016.07.12
X.X:±0.3	X.X:±1°		CHKD	APVD	
X.XX:±0.2		CUSTOMER COPY	SCALE 1:1	UNIT: mm	
			SIZE:A4	UNIT: mm	
			SHEET:1F1	REV:A	



← PRODUCT PACKAGING DIRECTION
 CUSTOMER TO USE DIRECTION →



MANUFACTURE DWG		 东莞市讯普电子科技有限公司 DongGuan XunPu Electronics Co.,Ltd			
UNLESS OTHERWISE SPECIFIED TOLERANCES			TITLE: Type.C 6PIN DIP CONN. W/P CONN RECPTACLE		
			PAR	TYPEC-242-ACP6X6	
DECIMALS:	ANGLES:		DWN	KING	2016.07.12
X:±0.5	X:±2°		CHKD	APVD	
X.X:±0.3	X.X:±1°	SCALE 1:1		UNIT: mm	
X.XX:±0.2		CUSTOMER COPY	SIZE:A4	SHEET:1F1	
				REV:A	