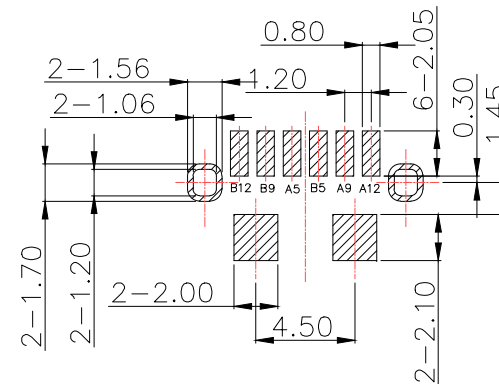
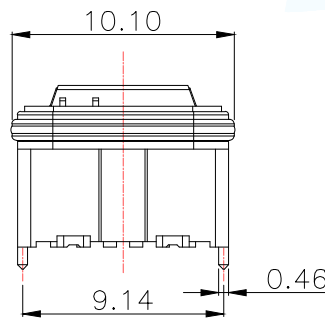


SPECIFICATIONS:

- ELECTRICAL CHARACTERISTICS:
 - RATING: 3A;
 - CONTACT RESISTANCE: 30 mΩ MAX.(INITIAL);
 - DIELECTRIC WITHSTANDING: 100V AC MIN.;
 - INSULATION RESISTANCE: 100MΩ MIN.;
- DURABILITY: 5,000 CYCLES MIN.;
- INSERTION FORCE: 5-20N;
- EXTRACTION FORCE: 6-20N;
- WATER PROOFNESS: THIS PRODUCT IS BASED ON IPX7.
- PLUG INTERFACE DIMENSIONS COMFORM TO USB2.0 SPEC.
- PACKAGING: TAPE & REEL.



A5	CC1	B12	GND
A9	VBUS	B9	VBUS
A12	GND	B5	CC2
PIN	SIGNAL NAME	PIN	SIGNAL NAME

3	Shell	1	Ni Plating	
2	Contact	6	Phosphor bronze Au/Ni Plating T=0.20mm	
1	Housing	1	PA10T (G.F30%)	
ITEM	PART NAME	Q'TY	FINISH	NOTE

MANUFACTURE DWG		东莞市讯普电子科技有限公司 DongGuan XunPu Electronics Co.,Ltd			
UNLESS OTHERWISE SPECIFIED TOLERANCES			TITLE: TYPE C 6PIN 非 SMT TYPE		
DECIMALS:	ANGLES:		PAR	TYPEC-243-ARP6X7	
X.:±0.50	X':±2'		DWN	YAO	2015.09.16
.X:±0.30	.X':±1'		CHKD	APVD	
.XX:±0.10	.XX':±0.5'	SCALE:1:1	UNIT:MM		
CUSTOMER COPY		SIZE:A4	SHEET:1F1	REV:A	

RECOMMENDED P.C.B LAYOUT
TOP VIEW (TOLRANCE:±0.05)