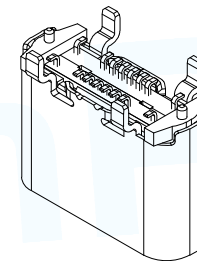
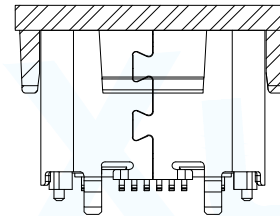
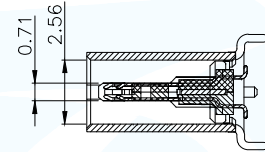
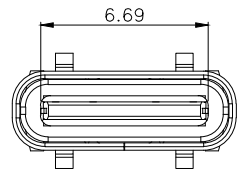
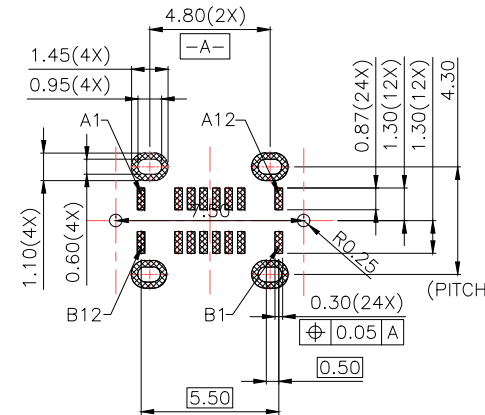
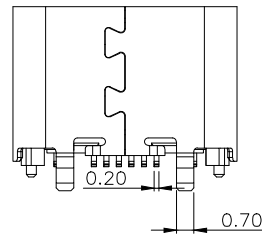


A1	GND	B12	GND
A4	VBUS	B9	VBUS
A5	CC1	B8	SBU2
A6	DP1	B7	DN2
A7	DN1	B6	DP2
A8	SBU1	B5	CC2
A9	VBUS	B4	VBUS
A12	GND	B1	GND
PIN	SIGNAL NAME	PIN	SIGNAL NAME



NOTES:  
 1.MECHANICAL:MATING FORCE: 5-20N .  
 UNMATING FORCE: 8-20N .  
 DURABILITY: 10000 CYCLES MIN.  
 2.ELECTRICAL:  
 CURRENT: 5.0A MAX  
 VOLTAGE: 20V MAX  
 WITHSTANDING VOLTAGE: 300V AC  
 CONTACT RESISTANCE: 40 mΩ MAX INITIAL;  
 50 mΩ MAX AFTER 10000 CYCLES  
 3.ENVIRONMENTAL:  
 OPERATING TEMPERATURE RANGE -30°C ~ +80°C  
 4.Salt Spray:24H



RECOMMENDED P.C.B. LAYOUT  
 TOLERANCE UNSPECIFIED ±0.05mm

序号	名称	材料规格
1	Terminal	C7025 TM02 T=0.15MM 电鍍金 AU:GF NI:50U"
2	Terminal	C7025 TM02 T=0.15MM 电鍍金 AU:GF NI:50U"
3	Molding 1	LCP+30%G.F黑色 UL94 V-0
4	Molding 2	LCP+30%G.F黑色 UL94 V-0
5	H00K	SUS201 1/2 T=0.15
6	Shell	SUS304 1/2H T=0.30mm Ni:50u"

MANUFACTURE DWG		东莞市讯普电子科技有限公司 DongGuan XunPu Electronics Co.,Ltd	
UNLESS OTHERWISE SPECIFIED TOLERANCES			TITLE:TYPE C 16PIN 立贴6.4母座 脚长0.95
			PAR TYPEC-303-ACP16
DECIMALS: ANGLES:			DWN YAO 2015.09.18
X.:±0.20 X':.±2'			CHKD
X.X:±0.15 X.X':.±1'		APVD	
X.XX:±0.10 X.XX':.±0.5'		CUSTOMER COPY	SCALE:1:1 UNIT:MM
		SIZE:A4	UNIT:MM
		SHEET:1F1	REV:A