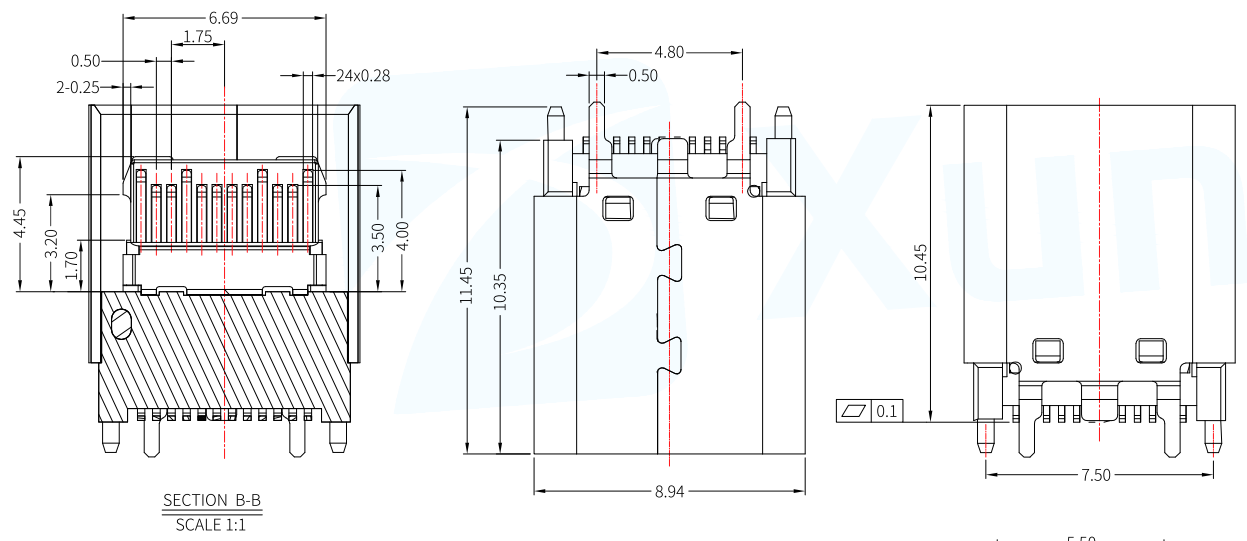


PIN	SIGNAL NAME	PIN	SIGNAL NAME
A1	GND	B12	GND
A2	SSTXP1	B11	SSTXP1
A3	SSTXN1	B10	SSTXN1
A4	VBUS	B9	VBUS
A5	CC1	B8	SBU2
A6	DP1	B7	DN2
A7	DN1	B6	DP2
A8	SBU1	B5	CC2
A9	VBUS	B4	VBUS
A10	SSRXN2	B3	SSTXN2
A11	SSRXP2	B2	SSTXP2
A12	GND	B1	GND

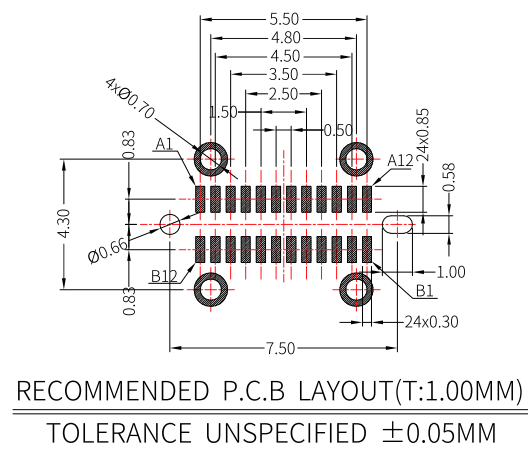
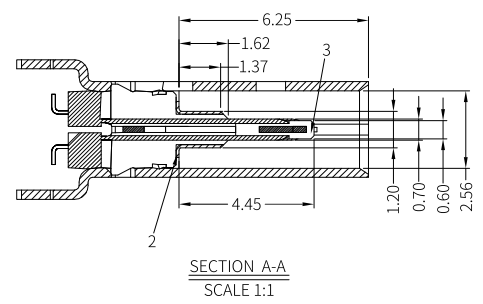


NOTES:

SPECIFICATION:

- CURRENT RATING: 3A MAX
- VOLTAGE: 100 VAC
- TEMPERATURE RANGE: -30°C ~ 85°C
- CONTACT RESISTANCE: 40 MILLIONHM MAX
- INSULATION RESISTANCE: 100 MEGOHMS MIN
- INSERTION FORCE: 5N~20N
- UNMATING FORCE: 8N~20N
- DURABILITY: 10,000 CYCLES

NO.	DESCRIPTION	MATERIAL	REMARKS	QTY
5	COVER	HIGH TEMPERATURE PLASTIC	BLACK	1PCS
4	SHELL	STAINLESS STEEL T=0.30	NI PLATED	1PCS
3	IRON HOUSING	HIGH TEMPERATURE PLASTIC	BLACK/NATURE	1PCS
2	SPRING	STAINLESS STEEL T=0.10	NI PLATED	1PCS
1	TERMINAL HOUSING	HIGH TEMPERATURE PLASTIC	BLACK/NATURE	1PCS



MANUFACTURE DWG

UNLESS OTHERWISE SPECIFIED TOLERANCES

DECIMALS: X:±0.5 X.X:±0.3 X.XX:±0.2

ANGLES: X:±2° X.X:±1°

东 莞 市 讯 普 电 子 科 技 有 限 公 司
DongGuan XunPu Electronics Co.,Ltd

TITLE: USB C TYPE 母座 双排24P
立式SMT 四脚插板

PAR	TYPEC-501-ACP24
DWN	KING
CHKD	2015.03.08
APVD	

SCALE 1:1 UNIT: mm

CUSTOMER COPY SIZE:A4 SHEET:1F1 REV:A

RECOMMENDED P.C.B LAYOUT(T:1.00MM)
TOLERANCE UNSPECIFIED ±0.05MM