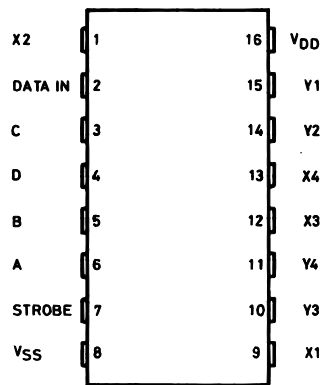


- LOW ON RESISTANCE - 75Ω Typ. at $V_{DD} = 12V$
- "BUILT IN" CONTROL LATCHES
- LARGE ANALOG SIGNAL CAPABILITY $\pm V_{DD}/2$
- TRANSMITS SIGNALS UP TO 10 MHz
- MATCHED SWITCH CHARACTERISTICS $\Delta_{RON} = 18\Omega$ Typ. at $V_{DD}-V_{SS} = 12V$
- HIGH LINEARITY : - 0.5% DISTORTION Typ. at $f = 1KHz, V_{IN} = 5 V_{pp}, V_{DD} - V_{SS} = 10V, R_L = 10K\Omega$
- STANDARD COS/MOS NOISE IMMUNITY
- 100% TESTED FOR QUIESCENT CURRENT

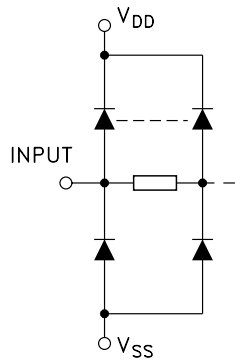
DESCRIPTION

The XD22100 combines a 4 x 4 array of crosspoints (transmission gates) with a 4 line to 16 line decoder and 16 latch circuits. Any one of the sixteen transmission gates (crosspoints) can be selected by applying the appropriate four line address. The selected transmission gate can be turned on or off by applying a logical one or zero, respectively, to the data input and strobing the strobe input to a logical one. Any number of the transmission gates can be ON simultaneously. When the required operating power is applied to the XD22100, the states of the 16 switches are indeterminate. Therefore, all switches must be turned off by putting the strobe high and data in low, and the addressing all switches in succession.

PIN CONNECTION



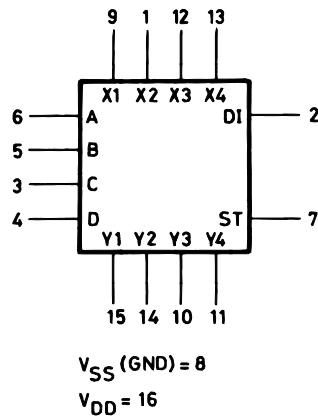
IINPUT EQUIVALENT CIRCUIT



PIN DESCRIPTION

PIN No	SYMBOL	NAME AND FUNCTION
9, 1, 12, 13	X1 to X4	Select X
15, 14, 10, 11	Y1 to Y4	Select Y
6, 5, 3, 4	A, B, C, D	Address Input
2	DI	Data In
7	ST	Strobe In
8	V _{SS}	Negative Supply Voltage
16	V _{DD}	Positive Supply Voltage

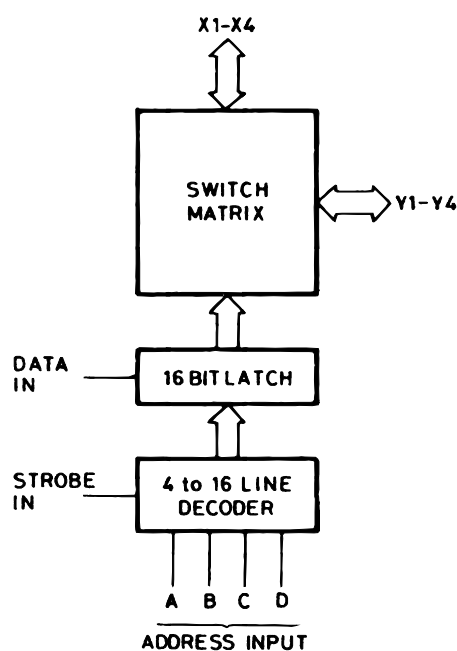
FUNCTIONAL DIAGRAM



TRUTH TABLE

ADDRESS				SELECT		ADDRESS				SELECT	
A	B	C	D			A	B	C	D		
L	L	L	L	X1	Y1	L	L	L	H	X1	Y3
H	L	L	L	X2	Y1	H	L	L	H	X2	Y3
L	H	L	L	X3	Y1	L	H	L	H	X3	Y3
H	H	L	L	X4	Y1	H	H	L	H	X4	Y3
L	L	H	L	X1	Y2	L	L	H	H	X1	Y4
H	L	H	L	X2	Y2	H	L	H	H	X2	Y4
L	H	H	L	X3	Y2	L	H	H	H	X3	Y4
H	H	H	L	X4	Y2	H	H	H	H	X4	Y4

LOGIC DIAGRAM



ABSOLUTE MAXIMUM RATINGS

Symbol	Parameter	Value	Unit
V_{DD}	Supply Voltage	-0.5 to +22	V
V_I	DC Input Voltage	-0.5 to $V_{DD} + 0.5$	V
I_I	DC Input Current	± 10	mA
P_D	Power Dissipation per Package	200	mW
	Power Dissipation per Output Transistor	100	mW
T_{op}	Operating Temperature	-55 to +125	$^{\circ}\text{C}$
T_{stg}	Storage Temperature	-65 to +150	$^{\circ}\text{C}$

Absolute Maximum Ratings are those values beyond which damage to the device may occur. Functional operation under these conditions is not implied.

All voltage values are referred to V_{SS} pin voltage.

RECOMMENDED OPERATING CONDITIONS

Symbol	Parameter	Value	Unit
V_{DD}	Supply Voltage	3 to 20	V
V_I	Input Voltage	0 to V_{DD}	V
T_{op}	Operating Temperature	-55 to 125	$^{\circ}\text{C}$

DC SPECIFICATIONS

Symbol	Parameter		Test Condition			Value						Unit			
			V_I (V)	V_{DD} (V)	$T_A = 25^\circ\text{C}$			-40 to 85°C		-55 to 125°C					
					Min.	Typ.	Max.	Min.	Max.	Min.	Max.				
I_L	Quiescent Supply Current	F1		5		0.04	5		150		150	μA			
				10		0.04	10		300		300				
				15		0.04	20		600		600				
				20		0.08	100		3000		3000				
		B1		5		0.04	20		150		150				
				10		0.04	40		300		300				
R_{ON}	Resistance	F1	Any Switch		5		225	1250		1625		1625	Ω		
					10		85	180		230		230			
					12		75	135		175		175			
					15		65	95		125		125			
		B1	$V_{IS} = 0 \text{ to } V_{DD}$		5		225	1250		1440		1440			
					10		85	180		205		205			
					12		75	135		155		155			
					15		65	95		110		110			
		Δ_{ON}	Resistance Δ_{RON} (between any two channels)				5		35						Ω
							10		20						
							12		18						
							15		15						
	OFF Channel Leakage Current	F1	All Switch OFF	0/18	18		$\pm 10^{-3}$	$\pm 0.1^*$		± 1		± 1	μA		
		B1	All Switch OFF	0/15	15		$\pm 10^{-3}$	± 0.3		± 1		± 1			
CONTROL															
V_{IL}	Low Level Input Voltage				5			1.5		1.5		1.5	V		
					10			3		3		3			
					15			4		4		4			
V_{IH}	High Level Input Voltage				5	3.5			3.5		3.5		V		
					10	7			7		7				
					15	11			11		11				
I_I	Input Current	F1	Any Control Input	0/18	18		$\pm 10^{-5}$	$\pm 0.1^*$		± 1		± 1	μA		
		B1	Any Control Input	0/15	15		$\pm 10^{-5}$	± 0.3		± 1		± 1			
C_I	Input Capacitance	Any Input					5	7.5					pF		

The Noise Margin for both "1" and "0" level is: 1V min. with $V_{DD}=5V$, 2V min. with $V_{DD}=10V$, 2.5V min. with $V_{DD}=15V$

* : Determined by minimum feasible leakage measurement for automating testing

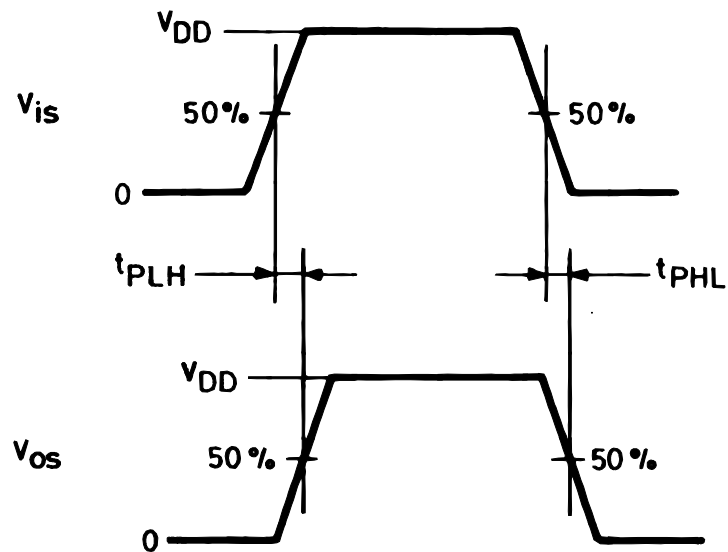
DYNAMIC ELECTRICAL CHARACTERISTICS ($T_{amb} = 25^{\circ}\text{C}$, $C_L = 50\text{pF}$, $R_L = 200\text{K}\Omega$, $t_r = t_f = 20\text{ ns}$)

Symbol	Parameter	Test Condition				Value (*)			Unit		
		f_i (KHz)	R_L (K Ω)	$V_{IS}^{(1)}$ (V)	V_{DD} (V)	Min.	Typ.	Max.			
CROSSPOINT											
t_{PHL} t_{PLH}	Propagation Delay Time (Address or Strobe Inputs to Output)		10	5	5		30	60	ns		
				10	10		15	30			
				15	15		10	20			
	Frequency Response (Any Switch ON)		1	1	5	10		40	MHz		
			Sine Wave Input 20 Log $V_{OS}/V_{IS} = -3\text{dB}$								
	Sine Wave Distortion		1	1	5	10		0.5	%		
	Feedthrough (All Switches OFF)		1.6	1	5	10		80	dB		
			Sine Wave Input								
	Frequency for Signal Crosstalk Attenuation of 40 dB			1	10	10		1.5	MHz		
			Sine Wave Input								
	Frequency for Signal Crosstalk Attenuation of 110 dB			1	10	10		0.1	KHz		
			Sine Wave Input								
C	Capacitance Xn to Ground, Yn to Ground, Feedthrough					5 / 15		18 30 0.4	pF		
CONTROLS											
t_{PHZ}	Propagation Delay Time Strobe to Output (Switch Turn-ON to High Level)	$R_L = 1\text{K}\Omega$ $C_L = 50\text{pF}$ $t_r, t_f = 20\text{ns}$	See Figure 1			5		500	1000	ns	
						10		230	460		
						15		145	290		
t_{PZH}	Propagation Delay Time Data-In to Output (Switch Turn-ON to High Level)			See Figure 2			5		500	1000	ns
			10					220	440		
			15					135	270		
t_{PZH}	Propagation Delay Time Address to Output (Switch Turn-ON to High Level)			See Figure 3			5		480	960	ns
			10					225	450		
			15					150	300		
t_{PHZ}	Propagation Delay Time Strobe to Output (Switch Turn-OFF)			See Figure 1			5		450	900	ns
			10					200	400		
			15					165	330		
t_{PZL}	Propagation Delay Time Data-In to Output (Switch Turn-ON to Low Level)			See Figure 2			5		500	1000	ns
			10					220	440		
		15					135	270			
t_{PHZ}	Propagation Delay Time Address to Output (Switch Turn-OFF)		See Figure 3			5		425	850	ns	
		10					190	380			
		15					145	290			
t_{setup}	Setup Time Data-In to Strobe, Address					5		200	400	ns	
		10					80	160			
		15					50	100			

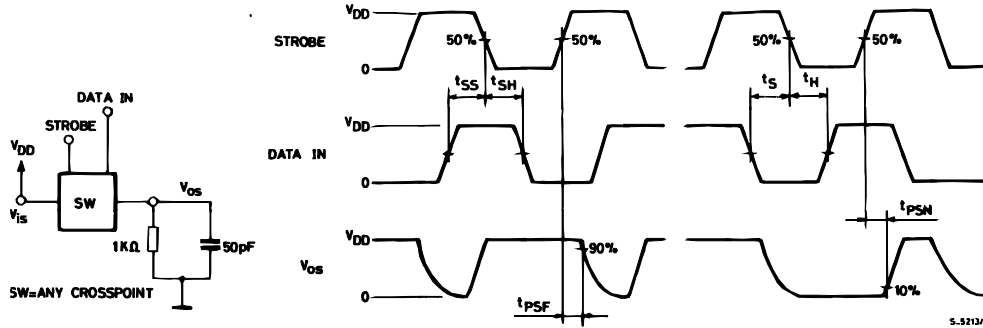
Symbol	Parameter	Test Condition				Value (*)			Unit				
		f_i (KHz)	R_L (K Ω)	$V_{IS}^{(1)}$ (V)	V_{DD} (V)	Min.	Typ.	Max.					
CONTROLS													
t_{hold}	Data Input Disable Setup Time	$R_L = 1K\Omega$ $C_L = 50pF$ $t_r, t_f = 20ns$				5		180		ns			
f_ϕ	Switching Frequency					10		110					
						15		35					
						5	0.6	1.2		MHz			
t_w	Strobe Pulse Width					10	1.6	3.2					
						15	2.5	5					
		5		300	600	ns							
	Control Crosstalk Data-In, Address, or Strobe to Output			10	10		10	75		mV peak			
											10		120
						15						90	180

(*) Typical temperature coefficient for all V_{DD} value is 0.3 %/°C.
 (1) Peak to Peak voltage symmetrical about $V_{DD}/2$

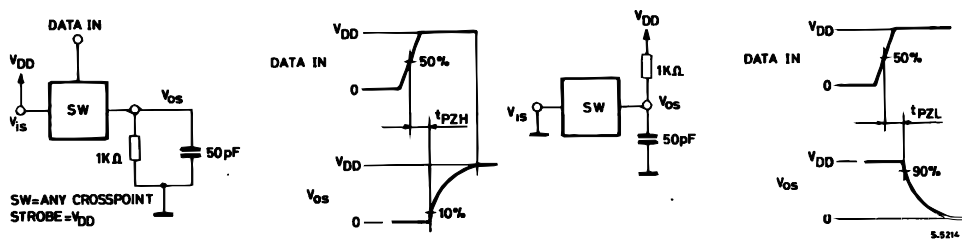
WAVEFORM 1 : PROPAGATION DELAY TIMES (f=1MHz; 50% duty cycle)



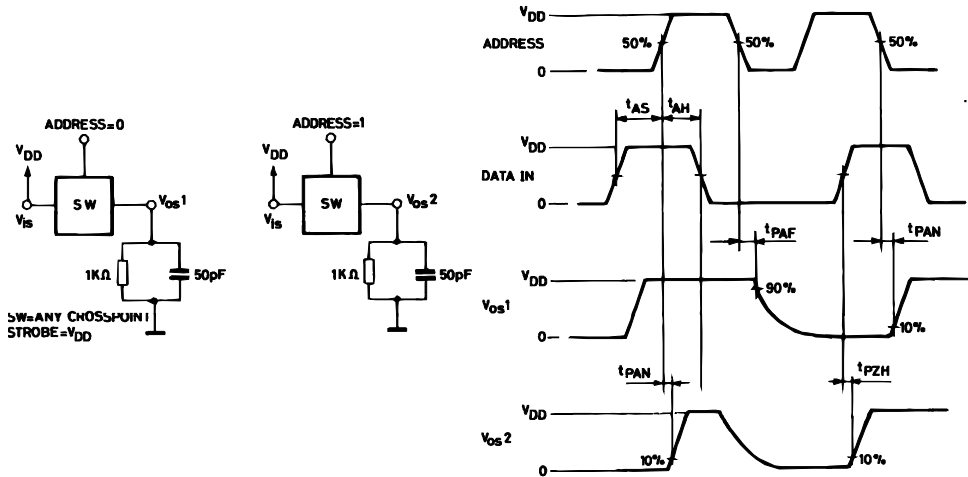
WAVEFORM 2 : Propagation Delay Time (strobe to signal output, switch turn-ON or turn OFF)
 (f=1MHz; 50% duty cycle)



WAVEFORM 3 : PROPAGATION DELAY TIME (DATA IN TO SIGNAL OUTPUT, SWITCH TURN ON TO HIGH OR LOW LEVEL)
 (f=1MHz; 50% duty cycle)

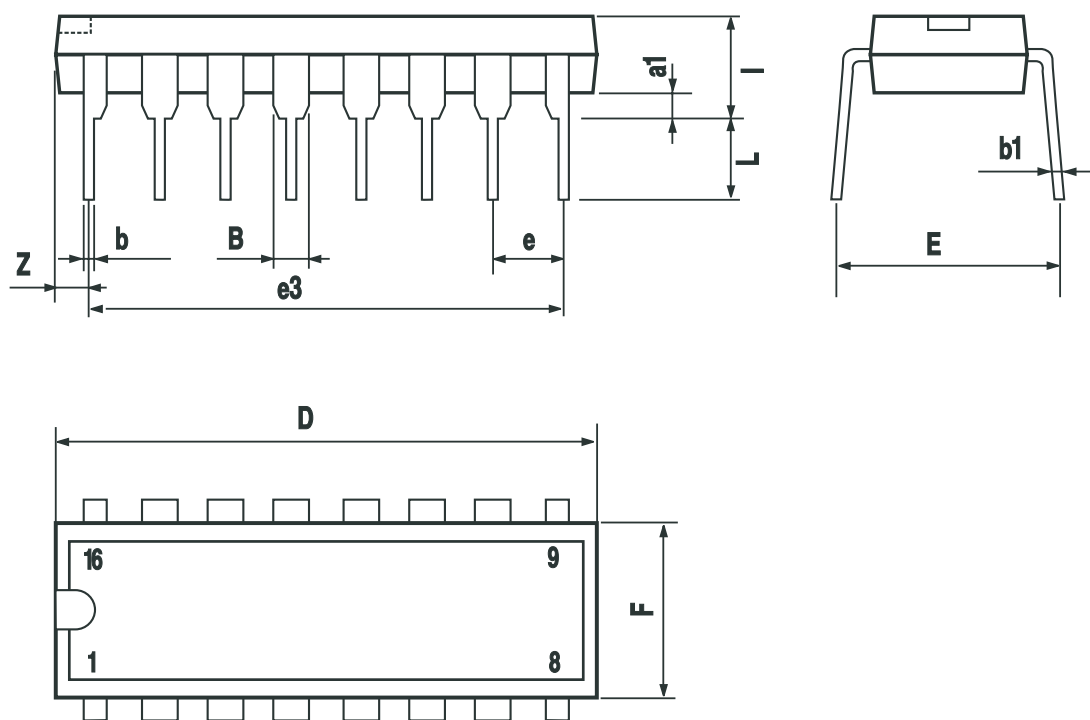


WAVEFORM 4 : PROPAGATION DELAY TIME (ADDRESS TO SIGNAL OUTPUT SWITCH TURN ON OR TURN OFF) (f=1MHz; 50% duty cycle)



DIP-16

DIM.	mm.			inch		
	MIN.	TYP	MAX.	MIN.	TYP.	MAX.
a1	0.51			0.020		
B	0.77		1.65	0.030		0.065
b		0.5			0.020	
b1		0.25			0.010	
D			20			0.787
E		8.5			0.335	
e		2.54			0.100	
e3		17.78			0.700	
F			7.1			0.280
I			5.1			0.201
L		3.3			0.130	
Z			1.27			0.050



以上信息仅供参考. 如需帮助联系客服人员。谢谢 XINLUDA