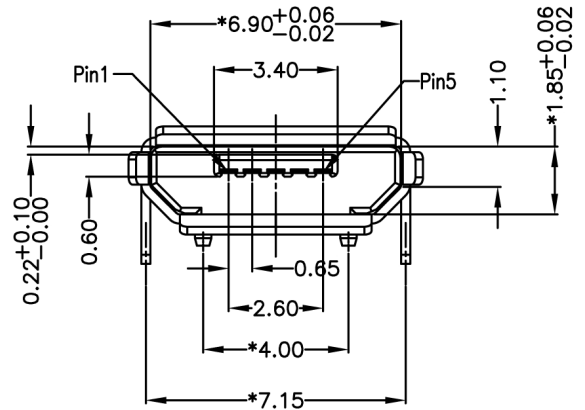
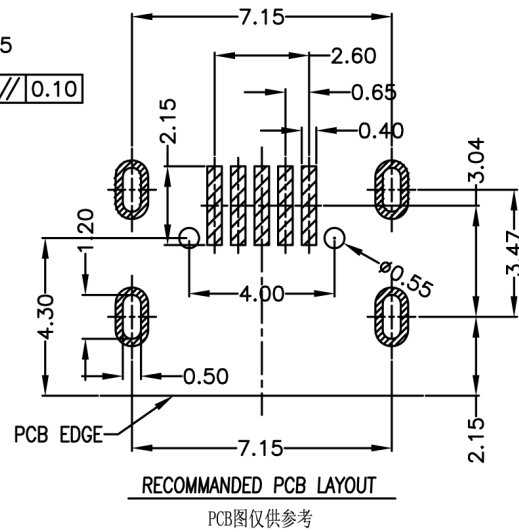
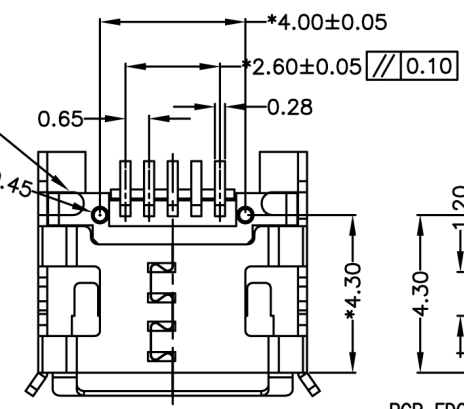
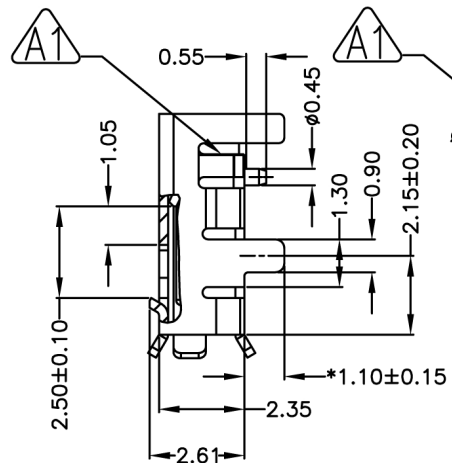
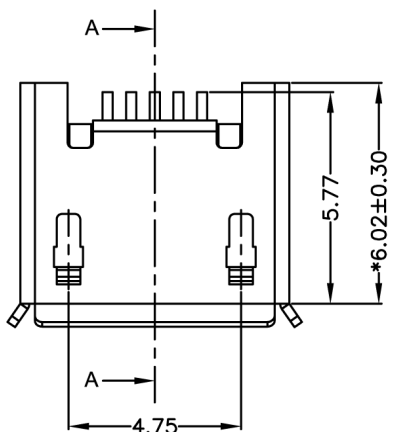
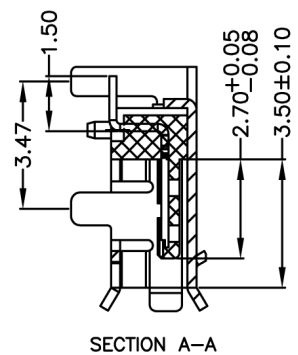
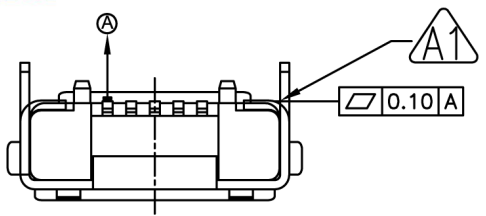


REV.	ZONE	DESCRIPTION	DESIGN	DATE
A		新规制作		2016. 12. 20
A1		增加定位扣		2017. 01. 10



- Note:
- Material:
    - Housing: High temperature thermoplastic with g.f,UL94v-0
    - Contact: copper alloy,t=0.20mm
    - Shell: copper alloy or SUS,t=0.25mm
  - Specification:
    - Current rating:1,5PIN 1.8A Max/2,3,4PIN 1A Max.
    - Dielectric withstanding voltage: 100 V(ac) for 1 min.
    - Contact resistance: 30 mΩ Max.
    - Insulation resistance: 100 MΩ Min.
    - Total mating force: 3.57 Kgf Max.
    - Total unmating force: 1.0 Kgf Min.
    - Temperature range: -30°C~80°C

Unless otherwise specified tolerances are		深圳市金航标电子有限公司			WWW.BDS666.COM	
X.	±0.25	型号: KH-MICRO-SMT.ZJ-5P			0755-83044319	
X.X	±0.15	DRAW NO.	2016122001	DATE	DRAW NAME:	
X.XX	±0.10	DWN	Wang lian	2016.12.20	Micro usb 5P B Type 插板7.2有柱 脚长1.1四脚全插加长0.75 (卷边)	
X.XXX	±0.05	CHK			P/N : 1110-205001	
X°	±2.0°	APVD				
X.X°	±1.0°					

 Third Angle Project	FINISH		UNIT	SCALE	WEIGHT	REV	SHEET
	MATERIAL		mm	1:1		A	1 OF 1