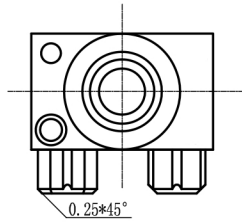


RoHS

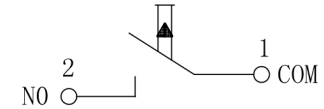
CAD GENERATED DRAWING. DON'T CHANGE BY HAND.

REV.	ECN. NO.	APPD.

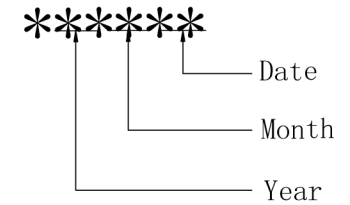
T (terminal)	
0	Solder terminals
1	Straight PCB terminals
	Others



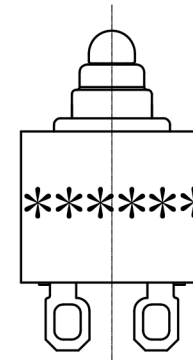
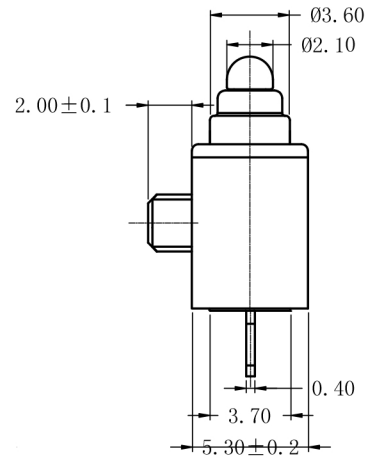
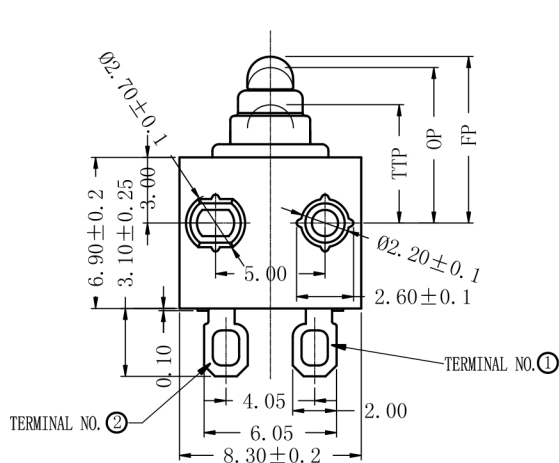
Circuit Diagram



Printing :



e.g: Oct
21, 2019 — 191021



CHARACTERISITICS

Operating Force	150gf Max
Release Force	30gf Min
Free Position	7.90mm Max
Operation Position	7.10±0.25mm
Movement-Differential	0.30mm Max
Total Travel Position	5.30mm Max

ELECTRICAL DATA

CONTACT ARRANGEMENT S. P. S. T-NO	SWITCH SEALING IP67
Ratings	
12V DC	0.1A
5V DC	50 μA

X. ±0.50	X.° ±2°	UNITS mm
.X ±0.30	.X° ±1°	
.XX ±0.10	.XX° ±0.5°	MAT'L /
.XXX ±0.05		
THESE DRAWINGS AND SPECIFICATIONS ARE THE PROPERTY OF YIYUAN TECHNOLOGY CO.,LTD AND SHALL NOT BE REPRODUCED, COPIED OR USED IN ANY MANNER WITHOUT THE PRIOR WRITTEN CONSENT OF YIYUAN TECHNOLOGY CO.,LTD		FINISH /
Q' TY /		



深圳市怡远科技有限公司
SHENZHEN YIYUAN TECHNOLOGY CO., LTD

PART NO. YTD-309-12T	TITLE: DETECT SWITCH
APPD: ROGER	DWG NO.: YTD-309-12T
CHKD: ROC	
DR: BILLY WANG 2020/08/21	

SCALE	SHEET	REV.
1/1	1/1	A1