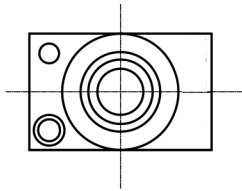


RoHS

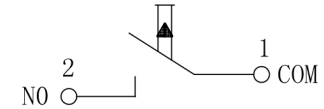
CAD GENERATED DRAWING. DON'T CHANGE BY HAND.

REV.	ECN. NO.	APPD.

T (terminal)	
0	Solder terminals
1	Straight PCB terminals
2	Others



Circuit Diagram



Printing :



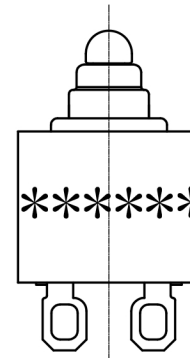
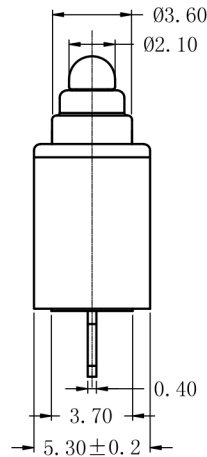
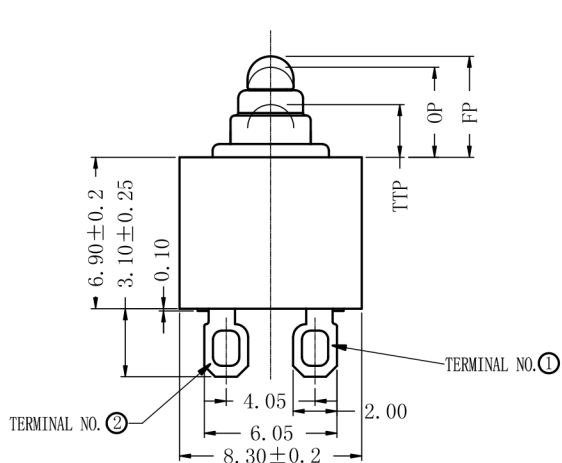
Date

Month

Year

e.g: Oct

21, 2019 — 191021



CHARACTERISITICS

Operating Force	150gf Max
Release Force	30gf Min
Free Position	4.90mm Max
Operation Position	4.10±0.25mm
Movement-Differential	0.30mm Max
Total Travel Position	2.30mm Max

ELECTRICAL DATA

CONTACT ARRANGEMENT S. P. S. T-NO	SWITCH SEALING IP67
Ratings	
12V DC	0.1 A
5V DC	50 mA

X. ±0.50	X.° ±2°	UNITS mm
.X ±0.30	.X° ±1°	
.XX ±0.10	.XX° ±0.5°	MAT'L
.XXX ±0.05		FINISH
		Q'TY



东莞市博众电气有限公司
DONGGUAN BOZHONG ELECTRIC CO., LTD

PART NO. YTD-309-13T	TITLE: DETECT SWITCH
APPD: ROGER	DWG NO. : YTD-309-13T
CHKD: ROC	
DR: BILLY WANG 2020/08/21	

	SCALE	SHEET	REV.
	1/1	1/1	A1