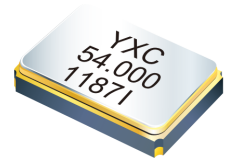


CRYSTAL UNIT

YSX531SL



Applications

- Industrial Control Consumers.

Features

- Dimensions: 5.00 x 3.20 x 0.90 mm.
- Standard Frequency: 8~54MHz
- High precision and high frequency stability.
- Extremely good for reducing EMI effect.

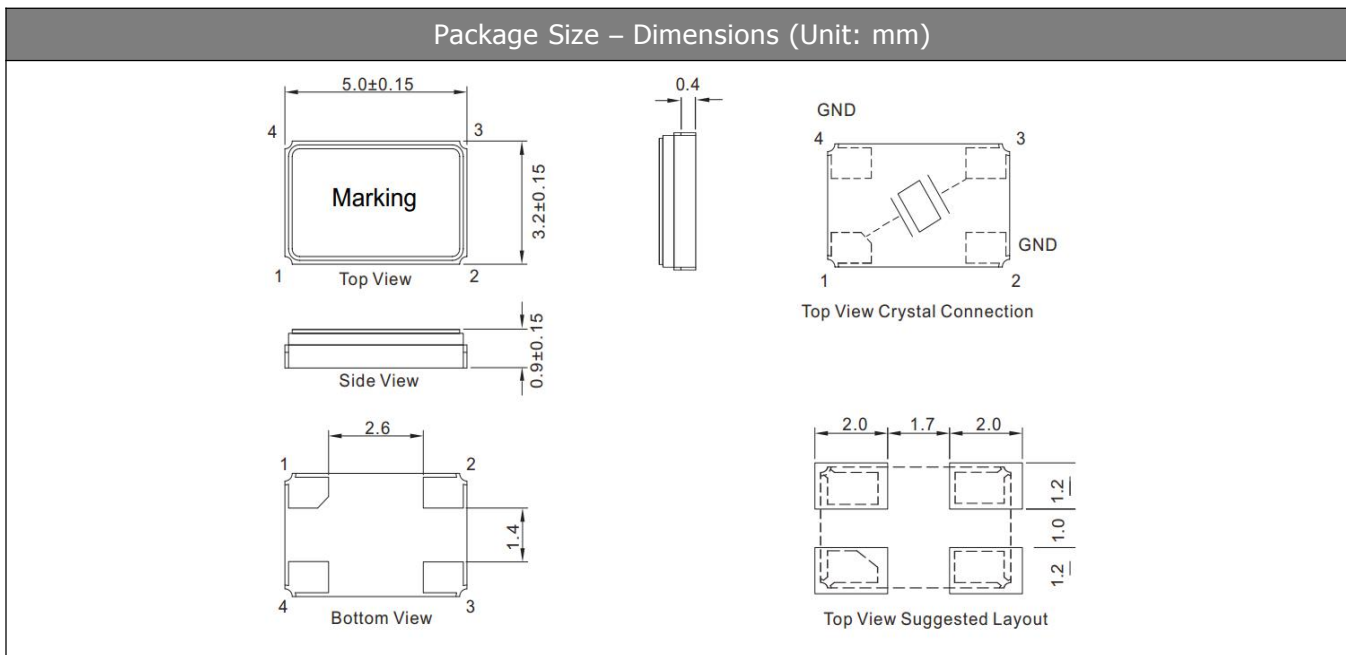
Specifications

| | |
|--|----------------------------------|
| Standard Frequency | 8~54 MHz |
| Vibration Mode | AT Fundamental |
| Load Capacitance | 10pF, 20pF, or specify |
| Frequency Tolerance (at 25 °C) | ±10ppm, ±20ppm, or specify |
| Frequency Versus Temperature Characteristics | ±20ppm, or specify |
| Operating Temperature | -20~+70°C, -40~+85°C, or specify |
| Storage Temperature | -55~+125°C or specify |
| Shunt Capacitance | 5 pF Max. |
| Level of Drive | 1~200µW Max. (100µW typical) |
| Aging (at 25 °C) | ±3ppm/year Max. |

Equivalent Series Resistance(ESR)

| Fundamental | |
|-------------|--------------|
| 8 ~ 12MHz | 60~80 Ω Max. |
| 12 ~ 25 MHz | 40~60 Ω Max. |
| 25 ~ 54 MHz | 30~40 Ω Max. |

Dimensions and Patterns [unit:mm]



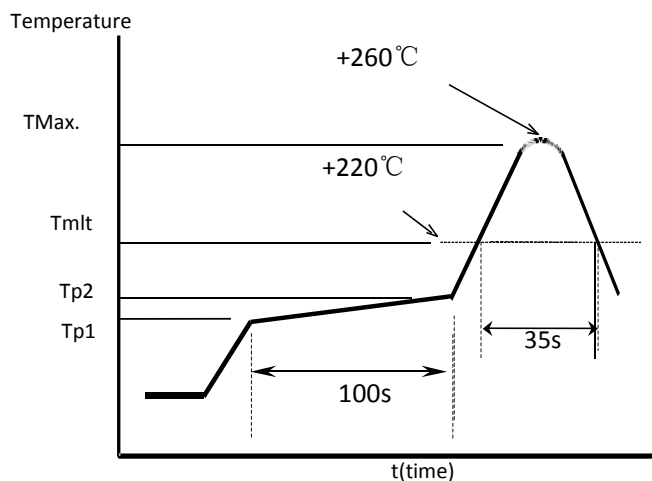
CRYSTAL UNIT

YSX531SL

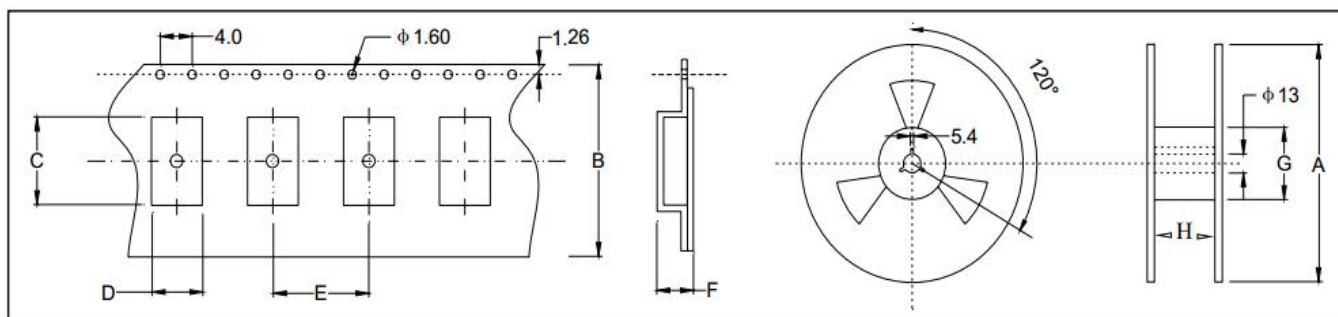


Reflow Soldering Profile

Pre Heating Temperature
 Tp1 ~ Tp2 = + 170 °C
 Heating Temperature
 TMLt = + 220 °C
 Peek Temperature
 TMax. = + 260 °C
 Point of measuring
 In case of Solder ability
 Terminal.
 In case of Resistance to soldering heat
 Surface.



Taping Specification(Unit: mm)



| Size | A | B | C | D | E | F | G | H |
|----------|---------|----------|----------|----------|----------|----------|----------|----------|
| SMD-5032 | 180±2.0 | 12.0±0.3 | 5.40±0.1 | 3.60±0.1 | 8.00±0.3 | 1.45±0.1 | 61.0±1.0 | 12.0±1.0 |

1000 pcs per reel