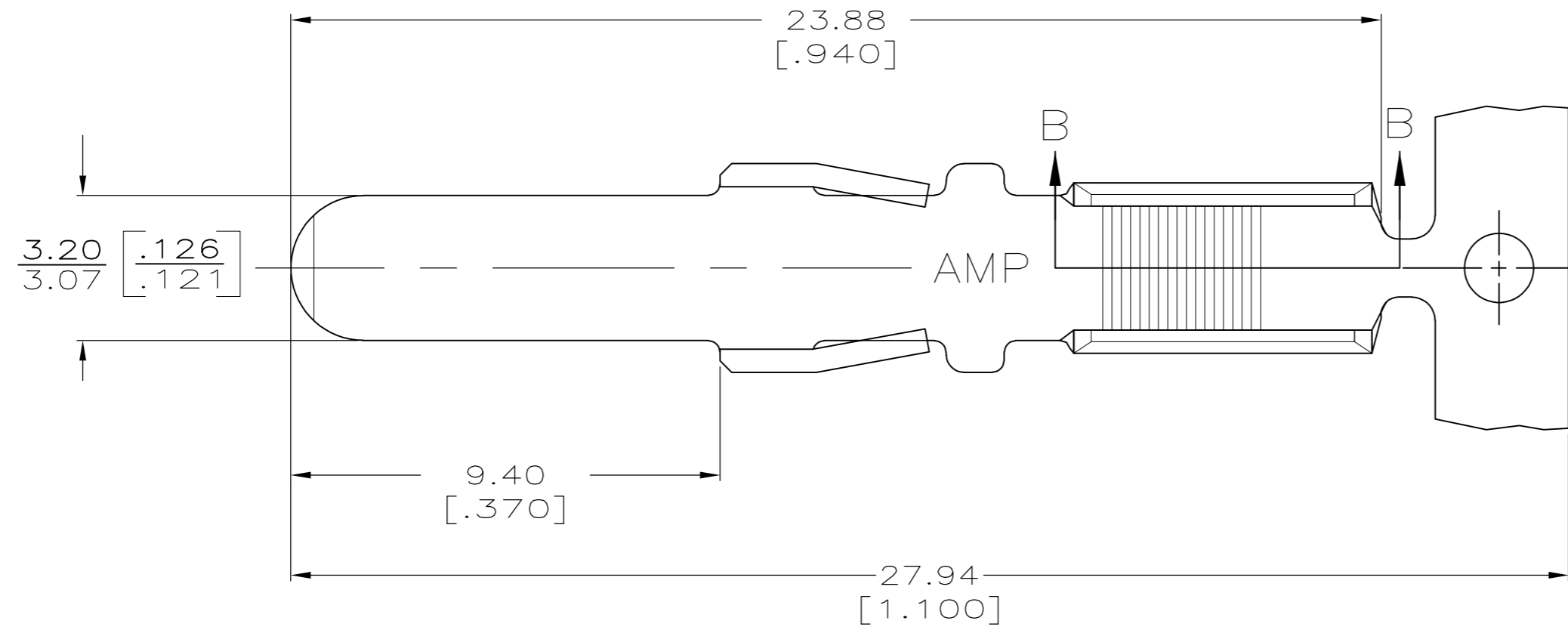
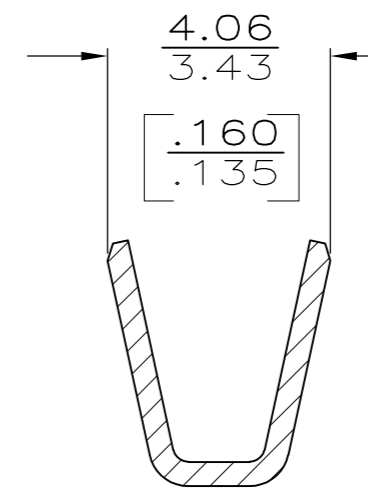
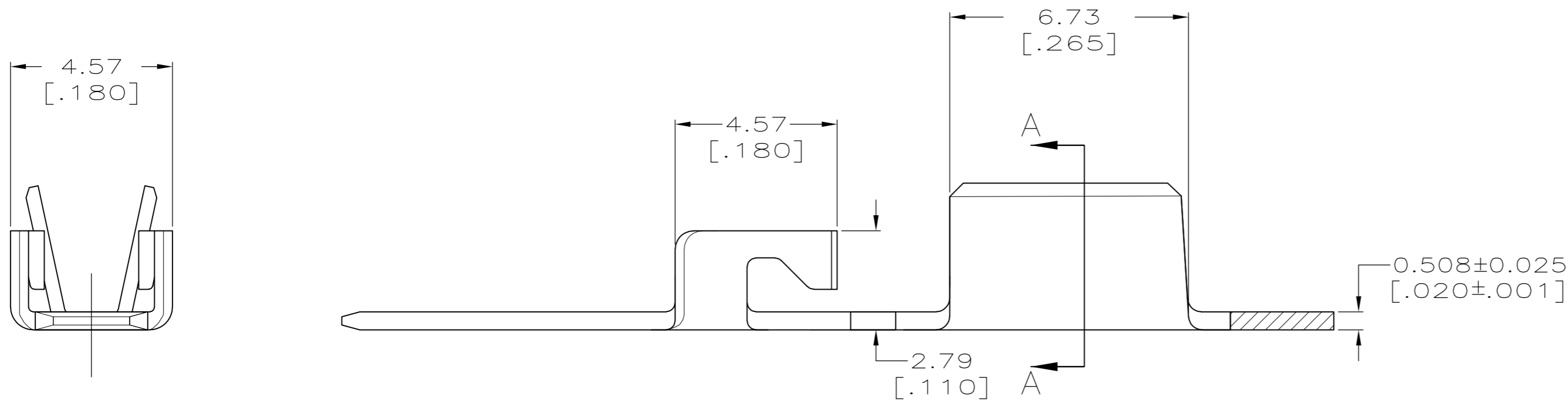


THIS DRAWING IS UNPUBLISHED. RELEASED FOR PUBLICATION
 © COPYRIGHT - By - ALL RIGHTS RESERVED.

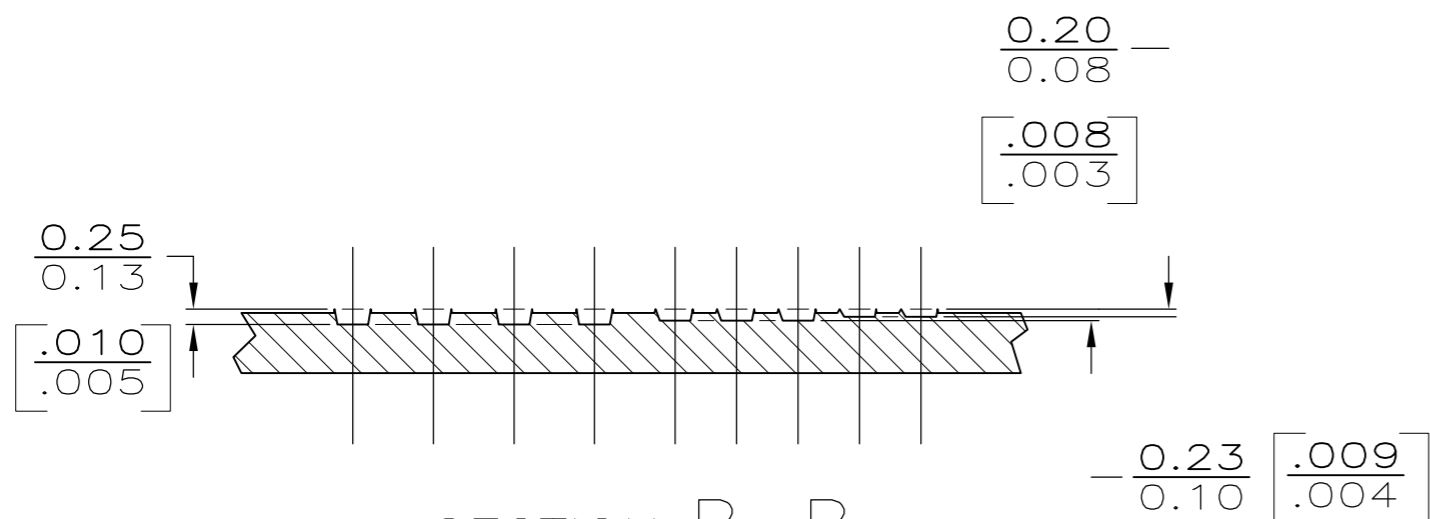
LOC	DIST	REVISIONS			
P	LTR	DESCRIPTION	DATE	DWN	APVD
AF	50	F	REVISE PER ECR-13-013738	28AUG14	GRZ JL



1 CONTINUOUS STRIP ON REEL.



SECTION A-A



SECTION B-B
SCALE 20:1

1500-5000 CMA	1217073-1
WIRE RANGE	Part Number

THIS DRAWING IS A CONTROLLED DOCUMENT.		DWN	JR RUTH	3/10/98	 TE Connectivity		
DIMENSIONS: INCHES		CHK	P FORTNEY	3/10/98			
TOLERANCES UNLESS OTHERWISE SPECIFIED:		APVD	DON DECKER	3/10/98			
0 PLC ± - 1 PLC ± - 2 PLC ± 0.25 [.010] 3 PLC ± - 4 PLC ± - ANGLES ± -		PRODUCT SPEC	D BRATINA	3/10/98			
MATERIAL	BRASS	FINISH	0.002032 [.000080] MIN TIN PL PER MIL-T-10727		NAME	CONTACT, 3.18 [.125] BLADE,AMPLIVAR	
WEIGHT		-		SIZE	A2	CAGE CODE	00779
CUSTOMER DRAWING		SCALE		8:1	DRAWING NO		C=1217073
RESTRICTED TO		-		SHEET		1 of 1	REV
SCALE		8:1		SHEET		1 of 1	REV
REV		F		SCALE		8:1	SHEET

CUSTOMER DRAWING