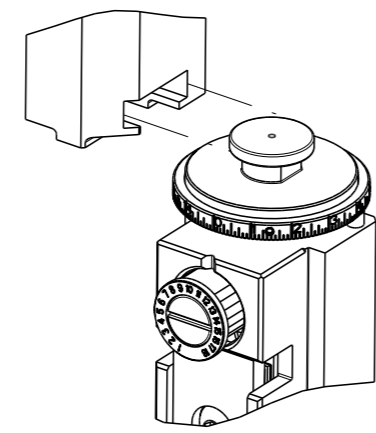


PART NUMBER	REVISION	DESCRIPTION	FEED TYPE
2266125-1	D	FINE CRIMP HEIGHT ADJUST	MECHANICAL
2266125-2	D	FINE CRIMP HEIGHT ADJUST	PNEUMATIC
7-2266125-1	D	MECHANICAL AND CRIMP TOOLING KIT	MECHANICAL
7-2266125-2	D	PNEUMATIC AND CRIMP TOOLING KIT	PNEUMATIC
7-2266125-7	C	CRIMP TOOLING KIT	-
7-2266125-8	C	APPLICATOR CONVERSION KIT	-

ATLANTIC VERSION TERMINATOR INTERFACE ADAPTER



APPLICATOR DATA		
CRIMP	SIZE	TYPE
WIRE	2.97 mm [.117]	F
INSUL	3.40 mm [.134]	O

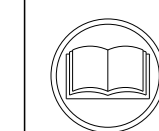
APPLICATOR INSTRUCTIONS
408-35042

APPLICATOR CONVERSION KITS	
PART NUMBER	INSULATION DIAMETER RANGE
7-2266124-8	∅3.83-4.47mm [.151-.176]
7-2266125-8	∅3.27-3.81mm [.129-.150]
7-2266126-8	∅2.87-3.25mm [.113-.128]

TERMINAL DATA: DEUTSCH TERMINAL DEUTSCH CRIMP SPECIFICATION			
TERMINAL NAME: STAMPED CONTACT PIN SIZE 12			
WIRE STRIP LENGTH	INSULATION DIAMETER RANGE		
5.71-6.99 mm [.225-.275 IN]	∅3.30-3.91 mm [.130-.154 IN]		
TERMINAL APPLICATION SPECIFICATION	114-151002		
TERMINALS APPLIED $\triangle 5 \triangle 8$			
TE TERMINAL	DEUTSCH TERMINAL	TE TERMINAL	DEUTSCH TERMINAL
1572028-2	1060-12-0144	1572028-1	1060-12-0166

TERMINAL DATA: DEUTSCH TERMINAL DEUTSCH CRIMP SPECIFICATION			
TERMINAL NAME: STAMPED CONTACT SOCKET SIZE 12			
WIRE STRIP LENGTH	INSULATION DIAMETER RANGE		
5.71-6.99 mm [.225-.275 IN]	∅3.30-3.91 mm [.130-.154 IN]		
TERMINAL APPLICATION SPECIFICATION	114-151002		
TERMINALS APPLIED $\triangle 6 \triangle 8$			
TE TERMINAL	DEUTSCH TERMINAL	TE TERMINAL	DEUTSCH TERMINAL
286955-2	1062-12-0144	286955-1	1062-12-0166

WIRE SIZE	CRIMP HEIGHT mm [INCH]	CRIMP HEIGHT REFERENCE SETTING
4.00mm2	2.24+0.03/-0.05 [.088+.001/-0.002]	5.4
12 AWG	2.03+0.03/-0.05 [.080+.001/-0.002]	5.7
3.00mm2	2.03+0.03/-0.05 [.080+.001/-0.002]	5.9
2.50mm2	1.88+0.03/-0.05 [.074+.001/-0.002]	7.4
14 AWG	1.78+0.03/-0.05 [.070+.001/-0.002]	8.2
2.00mm2	1.78+0.03/-0.05 [.070+.001/-0.002]	8.4



***WARNING**
ON INSTALLATION, SET WIRE DISC TO CRIMP HEIGHT REFERENCE SETTING FOR LARGEST WIRE SIZE. CRIMP HEIGHT REFERENCE SETTINGS GREATER THAN THE VALUE SHOWN MAY CAUSE DAMAGE TO THE CRIMP TOOLING, REFER TO THE INSTRUCTION SHEET FOR PROPER SETUP AND ADJUSTMENTS.

- $\triangle 1$ RECOMMENDED SPARE PARTS
- $\triangle 2$ REFER TO SUPPLIED INSTRUCTION SHEET FOR CLEANING, LUBRICATION AND STORAGE OF APPLICATOR.
- $\triangle 3$ APPLY PART NUMBER 2-23419-6 LOCTITE TO THREADS OF ITEM 242.
- $\triangle 4$ CRIMP HEIGHT REFERENCE SETTING WAS THE SETTING USED WHEN THE APPLICATOR WAS QUALIFIED AT THE FACTORY. ADJUSTMENT MAY BE NECESSARY WHEN RUNNING APPLICATOR IN THE FIELD.
- $\triangle 5$ DIMENSION 2.0±0.5 APPLIES TO PIN TERMINALS 1060-12-01XX.
- $\triangle 6$ DIMENSION 7.9±0.5 APPLIES TO SOCKET TERMINALS 1062-12-01XX.
- $\triangle 7$ SEE APPROPRIATE APPLICATOR LOG SHEETS FOR APPLIED TERMINALS, WIRE RANGE AND MEMORY CHIP.
- $\triangle 8$ TERMINAL LUBRICANT IS RECOMMENDED.

9. UNLESS SPECIFIED OTHERWISE TORQUE VALUES SHALL BE USED PER DOCUMENT, 101-35000.

LOC	DIST	REVISIONS					
		P	LY#	DESCRIPTION	DATE	OWN	APVD
A	66	C		ECR-16-002893	25FEB2016	MR	GB
		C1		ECR-16-017522	12DEC2016	RS	LZ
		C2		ECR-17-013971	22SEP2017	FL	GB
		D		ECR-18-008544	04JUN2018	VLA	JDG

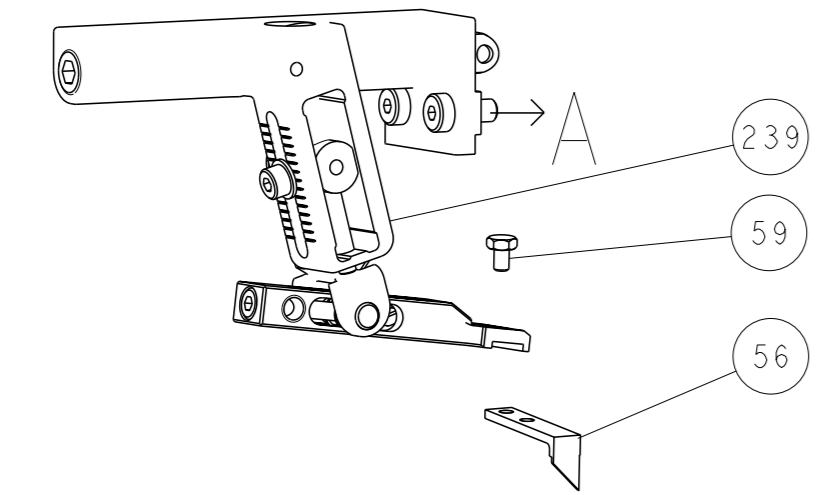
-	-	1	1	1	1	2119791-9	DEPRESSOR, WIRE	286	
-	-	1	-	1	-	2119640-1	PUSH ROD, AIR FEED	250	
-	-	1	-	1	-	1803259-1	BUSHING, FLANGED	249	
-	-	1	-	1	-	2119641-1	FEED CAM, AIR FEED	248	
-	-	1	1	1	1	2119082-9	CAM, SNAIL, INSULATION ADJUSTMENT	244	
-	-	1	1	1	1	2079764-1	WASHER, WAVE SPRING, CREST-TO-CREST	243	
$\triangle 3$	-	1	1	1	1	2119083-1	RETAINER, INSULATION DIAL	242	
-	-	1	1	1	1	7-18023-7	SCR, SKT HD CAP M3 X 4.0	241	
-	-	-	1	-	-	2119580-1	MECHANICAL FEED ASSEMBLY	239	
-	-	1	-	1	-	2063440-1	AIR FEED MODULE	238	
-	-	2	-	2	-	21045-3	RING, RETAIN, EXTERN, 3/16 CRESCENT	172	
-	-	REF	REF	REF	REF	994970-2	COUNTER, MAGNETIC	164	
-	-	1	-	1	-	240638-1	SPRING, FEED FINGER	163	
-	-	1	-	1	-	3-23627-7	PIN, RETAIN, GRVD, 3/16 X .854	137	
-	-	1	-	1	-	2119799-1	HOLDER, FEED FINGER, AF	136	
-	-	1	1	1	1	1-18028-2	WASHER, FLAT, REG M4	119	
$\triangle 8$	-	1	1	1	1	2119955-1	ASSY, LUBRICATOR, SIDE FEED	113	
-	-	1	1	1	1	2844908-1	SCREW, LOCKING	99	
-	-	1	1	1	1	2844907-1	POST, LOCKING	98	
-	-	1	1	1	1	455888-5	SPACER, CRIMPER	82	
1	-	-	-	-	-	2266125	PRINT, APPLICATOR LOG SHEET	72	
-	-	1	1	1	1	1803607-1	DOCUMENTATION PACKAGE	71	
-	-	1	1	1	1	2119791-9	DEPRESSOR, WIRE	70	
-	-	1	1	1	1	2119740-1	TAG, IDENTIFICATION	67	
-	-	2	2	2	2	2168078-1	SCREW, DRIVE, RH, RoHS, 2 x .188	66	
-	-	1	1	1	1	2168083-2	SCR, SKT HD CAP, RoHS, M4 X 8.0	60	
-	-	1	1	1	1	5-18022-5	SCR, HEX HD CAP, M4 X 6.0	59	
-	-	1	1	1	1	1338685-1	PAWL, FEED	56	
-	-	4	4	4	4	2168083-3	SCR, SKT HD CAP, RoHS, M4 X 12.0	54	
-	-	2	2	2	2	2168083-3	SCR, SKT HD CAP, RoHS, M4 X 12.0	53	
-	-	1	1	1	1	5018030-1	NUT, HEX, REG, RoHS, M3	52	
-	-	1	1	1	1	811242-5	BUMPER, HOLD DOWN	51	
-	-	1	1	1	1	690753-2	SPACER, TONKER	50	
-	-	1	2	1	2	18023-9	SCR, SKT HD CAP M4 X 6.0	49	
-	-	-	1	-	1	2119652-1	FEED CAM, PRE FEED	48	
-	-	-	1	-	1	2119653-1	FEED CAM, POST FEED	47	
-	-	1	1	1	1	1803583-9	APPLICATOR BASIC ASSEMBLY, SF	46	
-	-	1	1	1	1	1803515-1	RAM ASSEMBLY, SF ATLANTIC	44	
-	-	1	1	1	1	1803602-1	SCR, BHSC, RoHS (M8 X 25)	41	
$\triangle 6$	-	1	1	1	1	1752356-6	SUPPORT, TERMINAL	34	
-	-	2	2	2	2	2079383-5	SCR, BHSC, RoHS (M4 X 20)	33	
-	-	2	2	2	2	2-2844962-8	SPACER, CYLINDRICAL, STRIP GUIDE	30	
-	-	1	1	1	1	2844992-1	ASSEMBLY, STRIP GUIDE	29	
-	-	1	1	1	1	1320928-6	STRIP GUIDE	24	
-	-	1	1	1	1	2168083-2	SCR, SKT HD CAP, RoHS, M4 X 8.0	21	
-	-	1	1	1	1	1-18028-2	WASHER, FLAT, REG M4	20	
-	-	1	1	1	1	2119533-1	STRIPPER, SIDE FEED	19	
$\triangle 1$	-	1	1	1	1	2119806-1	INSERT, SHEAR	13	
-	-	1	1	1	1	3-22280-3	SPRING, COMPRESSION	12	
-	-	1	1	1	1	1-356885-4	STOP, SHEAR	11	
$\triangle 1$	-	1	1	1	1	2119805-1	SHEAR HOLDER, FRONT	10	
$\triangle 1$	-	1	1	1	1	1803095-1	FLOATING SHEAR, FRONT	9	
$\triangle 1$	1	1	2	2	1	1	2-1803293-1	ANVIL, COMBINATION DEUTSCH STYLE	8
-	-	1	1	1	1	3-240641-7	SPACER	7	
-	-	-	-	-	-	-	-	6	
1	1	1	1	1	1	1-2119757-3	DEPRESSOR, SHEAR	5	
-	-	1	1	1	1	238011-2	BLOCK, CRIMPER SPACER	4	
$\triangle 1$	1	1	2	2	1	1	2-1803019-7	CRIMPER, INSULATION O	3
-	-	1	1	1	1	455888-6	SPACER, CRIMPER	2	
$\triangle 1$	-	1	2	2	1	1	4-1633713-6	CRIMPER, WIRE PREMIUM	1

ATLANTIC VERSION
Shown on sheets 1 of 4 & 2 of 4
(Pacific version shown on sheets 3 of 4 & 4 of 4)

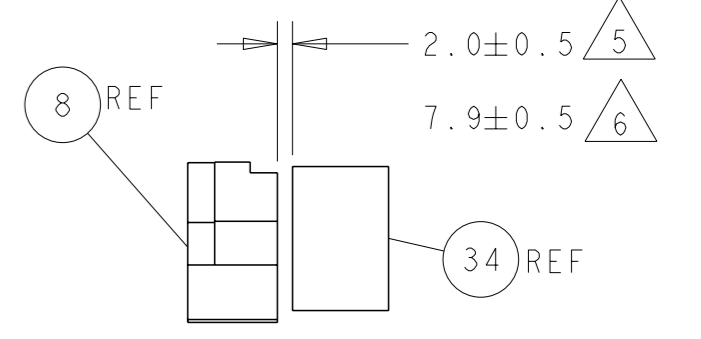
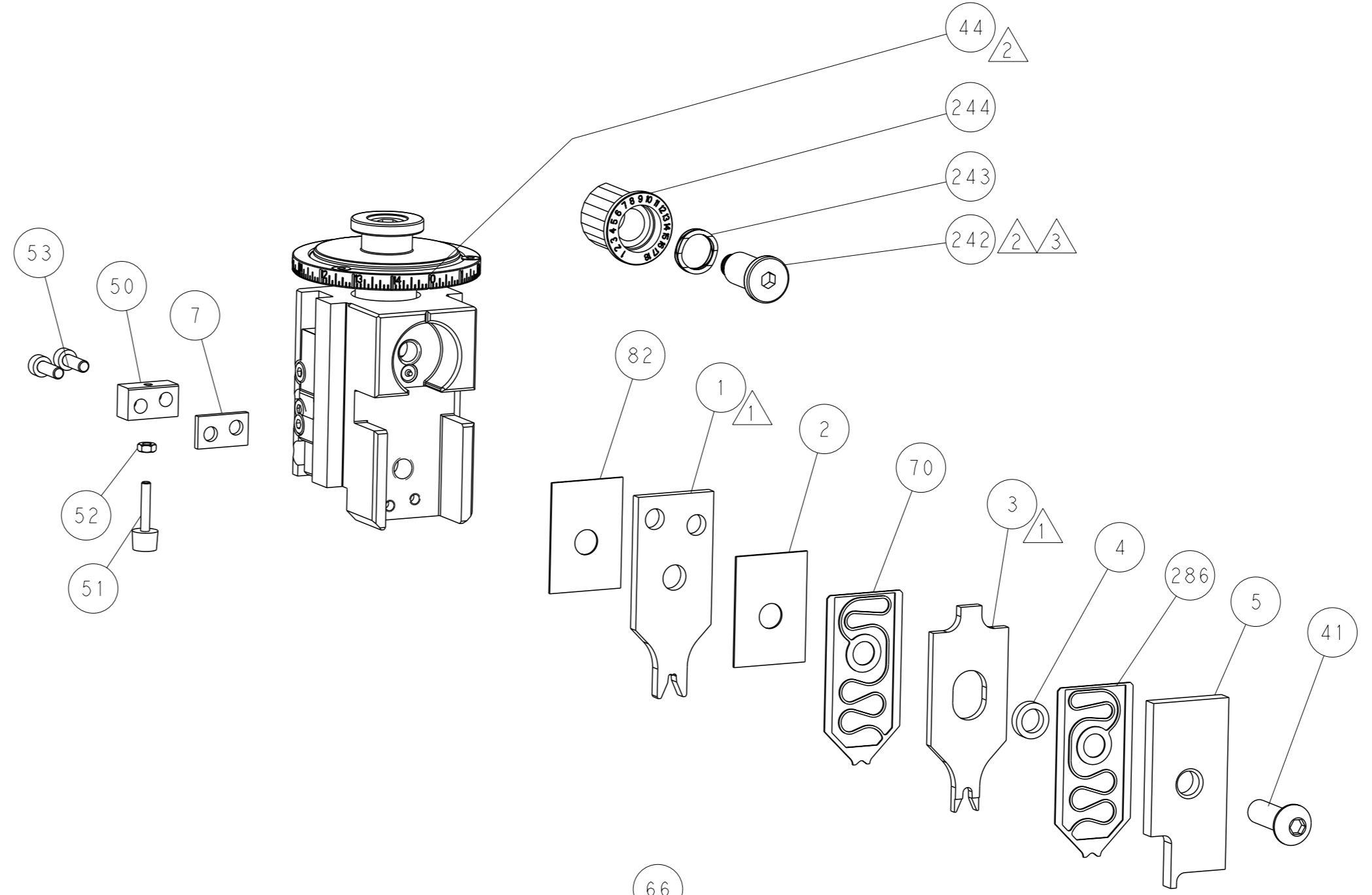
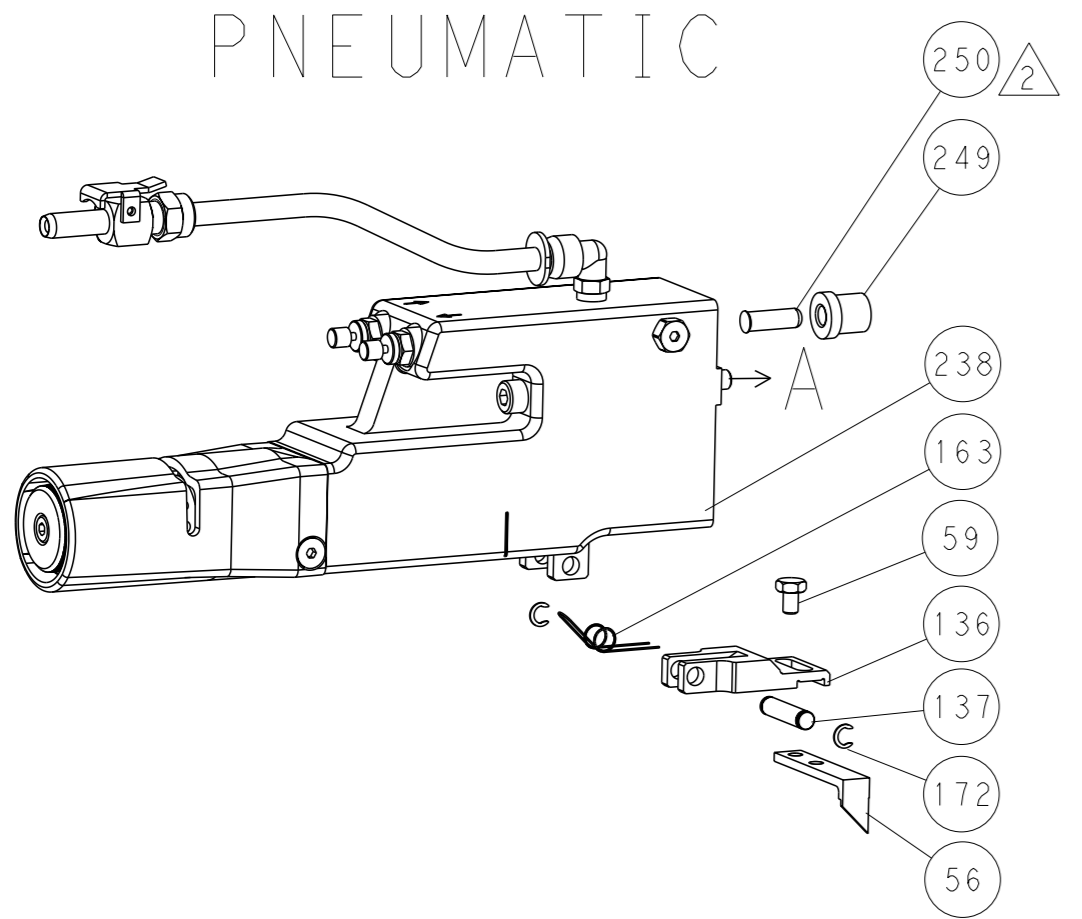
DIMENSIONS:		TOLERANCES UNLESS OTHERWISE SPECIFIED:		DRAWING NO.		NAME	
mm	0 PLC ±	1 PLC ±	2 PLC ±	3 PLC ±	4 PLC ±	ANGLES ±	FINISH
MATERIAL				WEIGHT	SCALE	SHEET	REV
Customer Accessible Production Drawing				SCALE 1:2	SHEET 1 of 4	REV D	

LOC	DIST	REV	DATE	OWN	APVD
A	66				

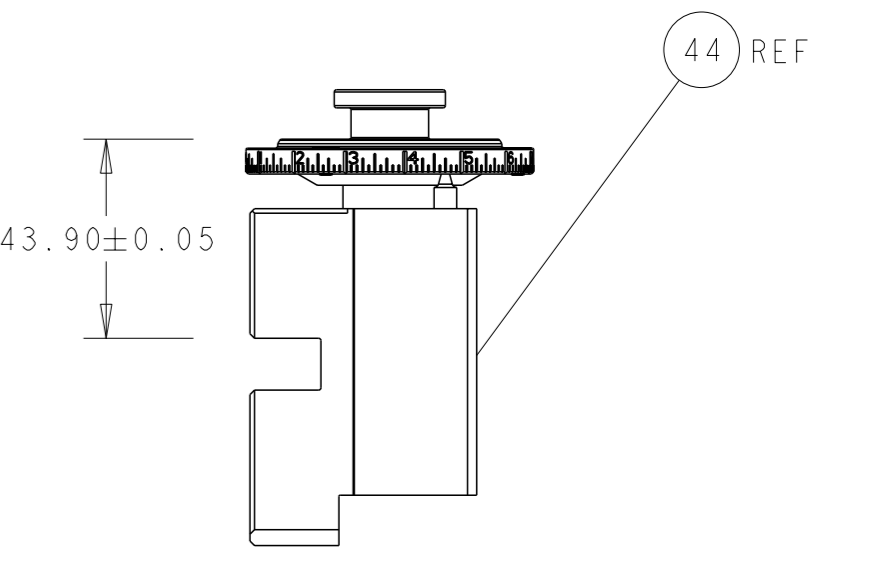
FEED TYPE MECHANICAL



PNEUMATIC

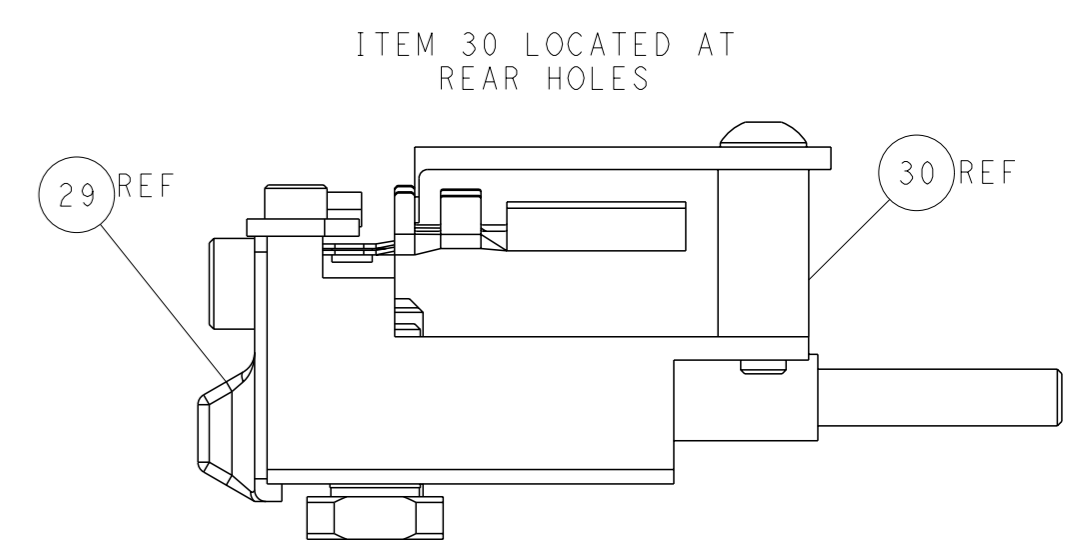
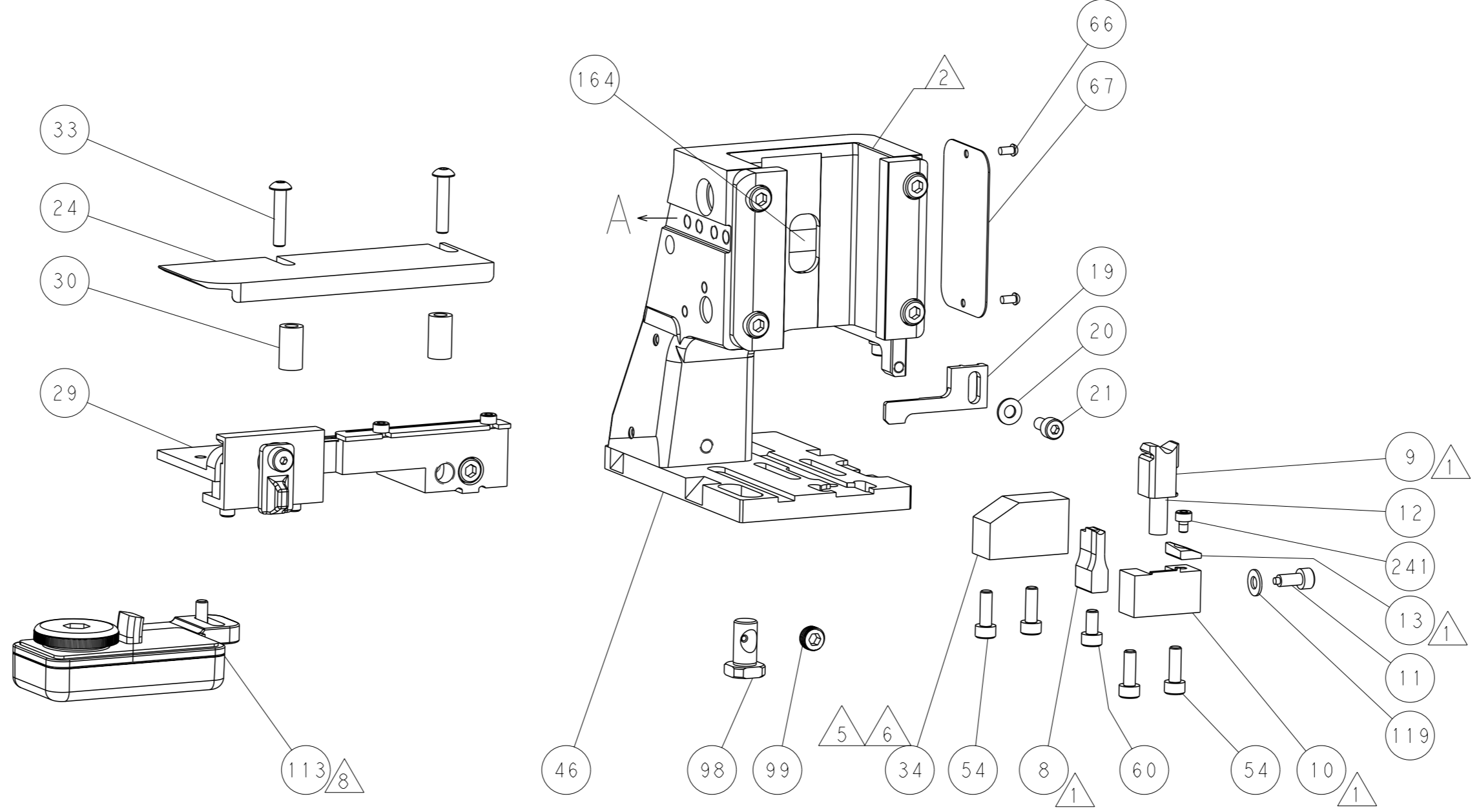
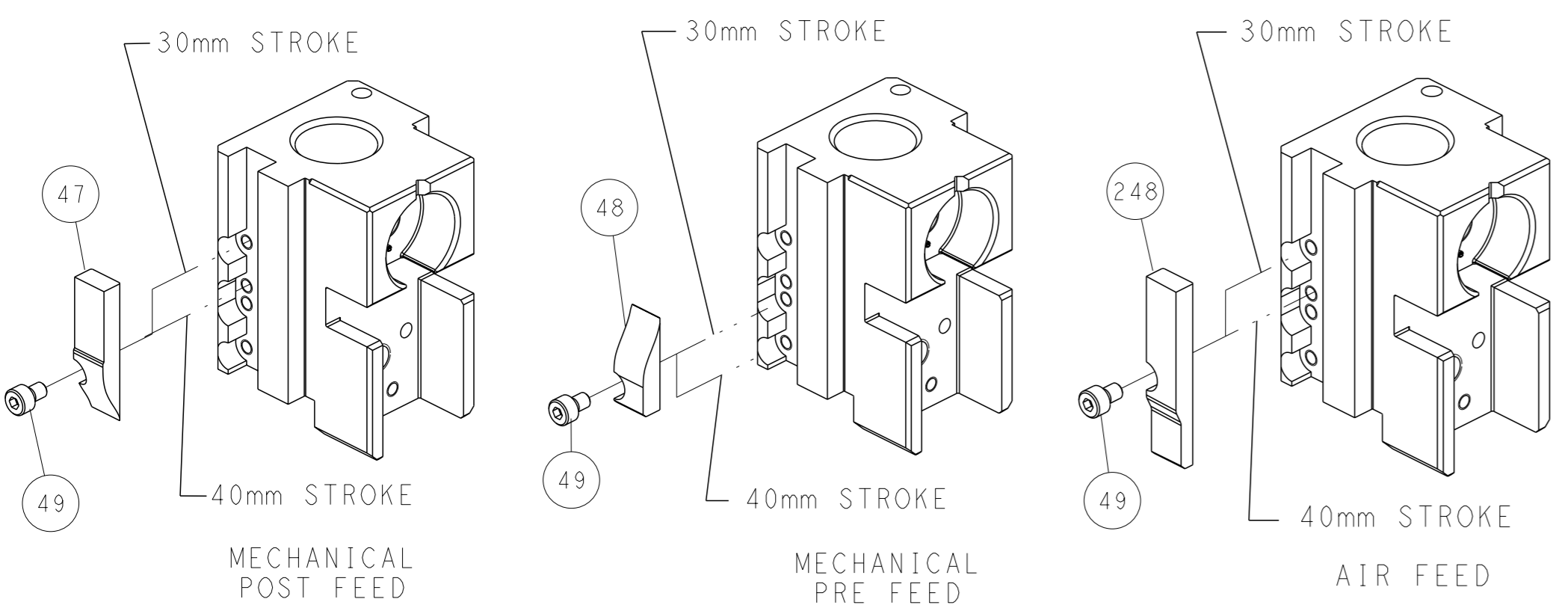


TERMINAL SUPPORT LOCATION



RAM SET-UP

CAM POSITIONS



FEED TRACK POSITION GUIDE BY INSULATION BARREL

ATLANTIC VERSION
 Shown on sheets 1 of 4 & 2 of 4
 (Pacific version shown on sheets 3 of 4 & 4 of 4)

DIMENSIONS: mm TOLERANCES UNLESS OTHERWISE SPECIFIED: 0 PLC ± 1 PLC ± 2 PLC ± 3 PLC ± 4 PLC ± ANGLES ±		OWN: R. KNEPPER 22-Oct-13 CHK: G. BAILEY 22-Oct-13 APVD: M. CLIFFORD 22-Oct-13 PRODUCT SPEC: APPLICATION SPEC: WEIGHT: MATERIAL:		NAME: Ocean Side Feed Applicator SIZE: A1 CAGE CODE: 00779 DRAWING NO: C=2266125 SCALE: 1:2 SHEET: 2 of 4 REV: D	
---	--	--	--	--	--

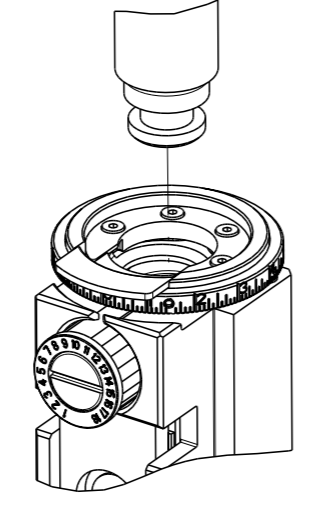
PART NUMBER	REVISION	DESCRIPTION	FEED TYPE
2-2266125-1	D	FINE CRIMP HEIGHT ADJUST	MECHANICAL
2-2266125-2	D	FINE CRIMP HEIGHT ADJUST	PNEUMATIC
7-2266125-7	C	CRIMP TOOLING KIT	-
7-2266125-8	C	APPLICATOR CONVERSION KIT	-

APPLICATOR DATA		
CRIMP	SIZE	TYPE
WIRE	2.97 mm [.117]	F
INSUL	3.40 mm [.134]	O

APPLICATOR INSTRUCTIONS
408-35042

APPLICATOR CONVERSION KITS	
PART NUMBER	INSULATION DIAMETER RANGE
7-2266124-8	Ø 3.83-4.47mm [.151-.176]
7-2266125-8	Ø 3.27-3.81mm [.129-.150]
7-2266126-8	Ø 2.87-3.25mm [.113-.128]

PACIFIC VERSION TERMINATOR
INTERFACE ADAPTER



TERMINAL DATA: DEUTSCH TERMINAL DEUTSCH CRIMP SPECIFICATION			
TERMINAL NAME: STAMPED CONTACT PIN SIZE 12			
WIRE STRIP LENGTH	INSULATION DIAMETER RANGE		
5.71-6.99 mm [.225-.275 IN]	Ø 3.30-3.91 mm [.130-.154 IN]		
TERMINAL APPLICATION SPECIFICATION	114-151002	-	-
TERMINALS APPLIED			
TE TERMINAL	DEUTSCH TERMINAL	TE TERMINAL	DEUTSCH TERMINAL
1572028-2	1060-12-0144	1572028-1	1060-12-0166

TERMINAL DATA: DEUTSCH TERMINAL DEUTSCH CRIMP SPECIFICATION			
TERMINAL NAME: STAMPED CONTACT SOCKET SIZE 12			
WIRE STRIP LENGTH	INSULATION DIAMETER RANGE		
5.71-6.99 mm [.225-.275 IN]	Ø 3.30-3.91 mm [.130-.154 IN]		
TERMINAL APPLICATION SPECIFICATION	114-151002	-	-
TERMINALS APPLIED			
TE TERMINAL	DEUTSCH TERMINAL	TE TERMINAL	DEUTSCH TERMINAL
286955-2	1062-12-0144	286955-1	1062-12-0166

WIRE SIZE	CRIMP HEIGHT mm [INCH]	CRIMP HEIGHT REFERENCE SETTING
4.00mm2	2.24+0.03/-0.05 [.088+.001/-0.002]	5.4
12 AWG	2.03+0.03/-0.05 [.080+.001/-0.002]	5.7
3.00mm2	2.03+0.03/-0.05 [.080+.001/-0.002]	5.9
2.50mm2	1.88+0.03/-0.05 [.074+.001/-0.002]	7.4
14 AWG	1.78+0.03/-0.05 [.070+.001/-0.002]	8.2
2.00mm2	1.78+0.03/-0.05 [.070+.001/-0.002]	8.4

QTY	REF	DESCRIPTION	DATE	OWN	APVD	
-	-	1	1	2119791-9	DEPRESSOR, WIRE	286
-	-	1	-	2119640-1	PUSH ROD, AIR FEED	250
-	-	1	-	1803259-1	BUSHING, FLANGED	249
-	-	1	1	2119082-9	CAM, SNAIL, INSULATION ADJUSTMENT	244
-	-	1	1	2079764-1	WASHER, WAVE SPRING, CREST-TO-CREST	243
-	-	1	1	2119083-1	RETAINER, INSULATION DIAL	242
-	-	1	1	7-18023-7	SCR, SKT HD CAP M3 X 4.0	241
-	-	-	1	2119580-1	MECHANICAL FEED ASSEMBLY	239
-	-	1	-	2063440-1	AIR FEED MODULE	238
-	-	2	-	21045-3	RING, RETAIN, EXTERN, 3/16 CRESCENT	172
-	REF	REF	-	994970-2	COUNTER, MAGNETIC	164
-	-	1	-	240638-1	SPRING, FEED FINGER	163
-	-	1	-	2119641-2	FEED CAM, AIR FEED	151
-	-	1	1	2168083-8	SCR, SKT HD CAP, RoHS, M4 X 16	144
-	-	4	4	2168083-9	SCR, SKT HD CAP, RoHS, M4 X 20	143
-	-	-	1	2119653-2	FEED CAM, POST FEED	142
-	-	1	1	1-1803583-0	APPLICATOR BASIC ASSEMBLY, SF	141
-	-	1	1	1803516-1	RAM ASSEMBLY, SF PACIFIC	140
-	-	1	-	3-23627-7	PIN, RETAIN, GRVD, 3/16 X .854	137
-	-	1	-	2119799-1	HOLDER, FEED FINGER, AF	136
-	-	1	1	1-18028-2	WASHER, FLAT, REG M4	119
-	-	1	1	2119955-1	ASSY, LUBRICATOR, SIDE FEED	113
-	-	1	1	2844908-1	SCREW, LOCKING	99
-	-	1	1	2844907-1	POST, LOCKING	98
-	-	1	1	455888-5	SPACER, CRIMPER	82
1	-	-	-	2266125	PRINT, APPLICATOR LOG SHEET	72
-	-	1	1	1803607-1	DOCUMENTATION PACKAGE	71
-	-	1	1	2119791-9	DEPRESSOR, WIRE	70
-	-	1	1	2119740-1	TAG, IDENTIFICATION	67
-	-	2	2	2168078-1	SCREW, DRIVE, RH, RoHS, 2 x .188	66
-	-	1	1	5-18022-5	SCR, HEX HD CAP, M4 X 6.0	59
-	-	1	1	1338685-1	PAWL, FEED	56
-	-	2	2	2168083-3	SCR, SKT HD CAP, RoHS, M4 X 12.0	53
-	-	1	1	5018030-1	NUT, HEX, REG, RoHS, M3	52
-	-	1	1	811242-5	BUMPER, HOLD DOWN	51
-	-	1	1	690753-2	SPACER, TONKER	50
-	-	1	2	18023-9	SCR, SKT HD CAP M4 X 6.0	49
-	-	-	1	2119652-1	FEED CAM, PRE FEED	48
-	-	1	1	1803602-1	SCR, BHSC, RoHS (M8 X 25)	41
-	-	1	1	1752356-6	SUPPORT, TERMINAL	34
-	-	2	2	2079383-5	SCR, BHSC, RoHS (M4 X 20)	33
-	-	2	2	2-2844962-8	SPACER, CYLINDRICAL, STRIP GUIDE	30
-	-	1	1	2844992-1	ASSEMBLY, STRIP GUIDE	29
-	-	1	1	1320928-6	STRIP GUIDE	24
-	-	1	1	2168083-2	SCR, SKT HD CAP, RoHS, M4 X 8.0	21
-	-	1	1	1-18028-2	WASHER, FLAT, REG M4	20
-	-	1	1	2119533-1	STRIPPER, SIDE FEED	19
-	-	1	1	2119806-1	INSERT, SHEAR	13
-	-	1	1	3-22280-3	SPRING, COMPRESSION	12
-	-	1	1	1-356885-4	STOP, SHEAR	11
-	-	1	1	2119805-1	SHEAR HOLDER, FRONT	10
-	-	1	1	1803095-1	FLOATING SHEAR, FRONT	9
1	1	1	1	2-1803293-1	ANVIL, COMBINATION DEUTSCH STYLE	8
-	-	1	1	3-240641-7	SPACER	7
-	-	-	-	-	-	6
1	-	1	1	1-2119757-3	DEPRESSOR, SHEAR	5
-	-	1	1	238011-2	BLOCK, CRIMPER SPACER	4
1	1	1	1	2-1803019-7	CRIMPER, INSULATION O	3
-	-	1	1	455888-6	SPACER, CRIMPER	2
1	-	1	1	4-1633713-6	CRIMPER, WIRE PREMIUM	1
-78	-77	-22	-21	PART NO	DESCRIPTION	ITEM NO

***WARNING**
ON INSTALLATION, SET WIRE DISC TO CRIMP HEIGHT REFERENCE SETTING FOR LARGEST WIRE SIZE. CRIMP HEIGHT REFERENCE SETTINGS GREATER THAN THE VALUE SHOWN MAY CAUSE DAMAGE TO THE CRIMP TOOLING, REFER TO THE INSTRUCTION SHEET FOR PROPER SETUP AND ADJUSTMENTS.

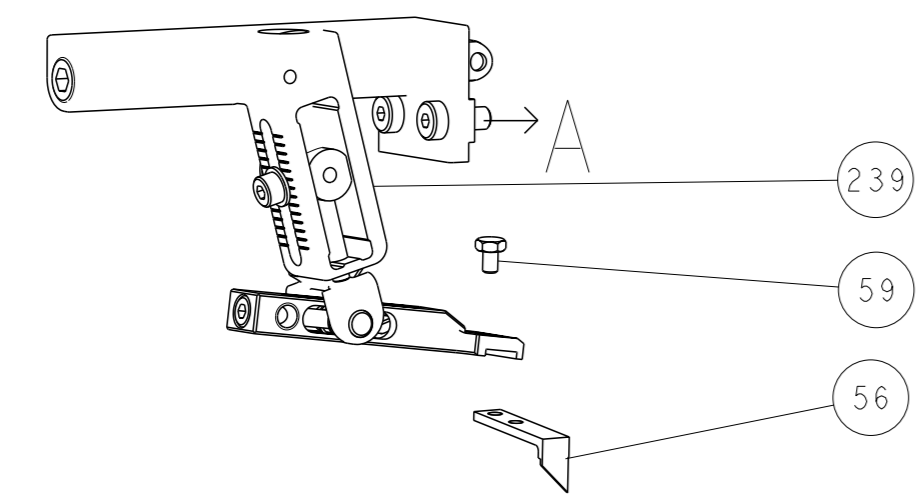
- RECOMMENDED SPARE PARTS
- REFER TO SUPPLIED INSTRUCTION SHEET FOR CLEANING, LUBRICATION AND STORAGE OF APPLICATOR.
- APPLY PART NUMBER 2-23419-6 LOCTITE TO THREADS OF ITEM 242.
- CRIMP HEIGHT REFERENCE SETTING WAS THE SETTING USED WHEN THE APPLICATOR WAS QUALIFIED AT THE FACTORY. ADJUSTMENT MAY BE NECESSARY WHEN RUNNING APPLICATOR IN THE FIELD.
- DIMENSION 2.0±0.5 APPLIES TO PIN TERMINALS 1060-12-01XX.
- DIMENSION 7.9±0.5 APPLIES TO SOCKET TERMINALS 1062-12-01XX.
- SEE APPROPRIATE APPLICATOR LOG SHEETS FOR APPLIED TERMINALS, WIRE RANGE AND MEMORY CHIP.
- TERMINAL LUBRICANT IS RECOMMENDED.
- UNLESS SPECIFIED OTHERWISE TORQUE VALUES SHALL BE USED PER DOCUMENT, 101-35000.

PACIFIC VERSION
Shown on sheets 3 of 4 & 4 of 4
(Atlantic version shown on sheets 1 of 4 & 2 of 4)

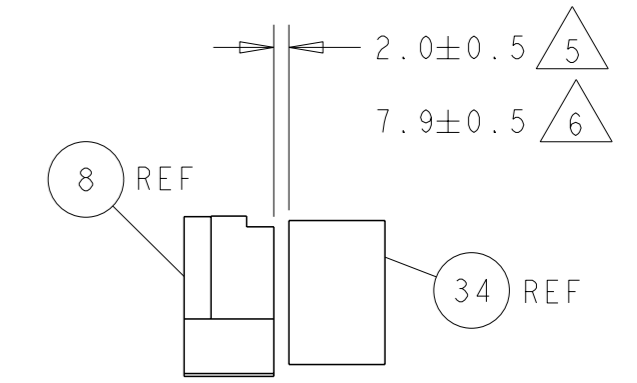
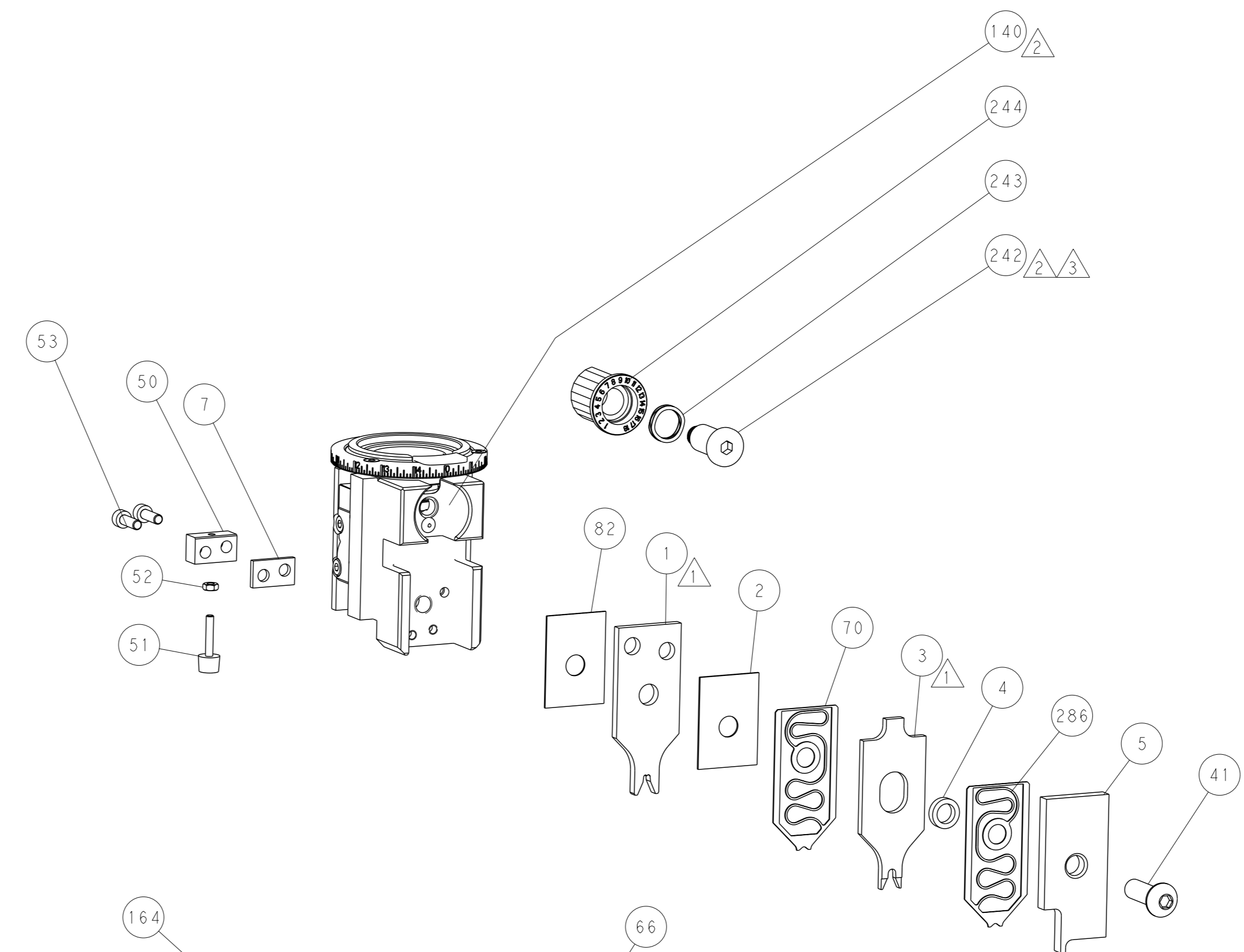
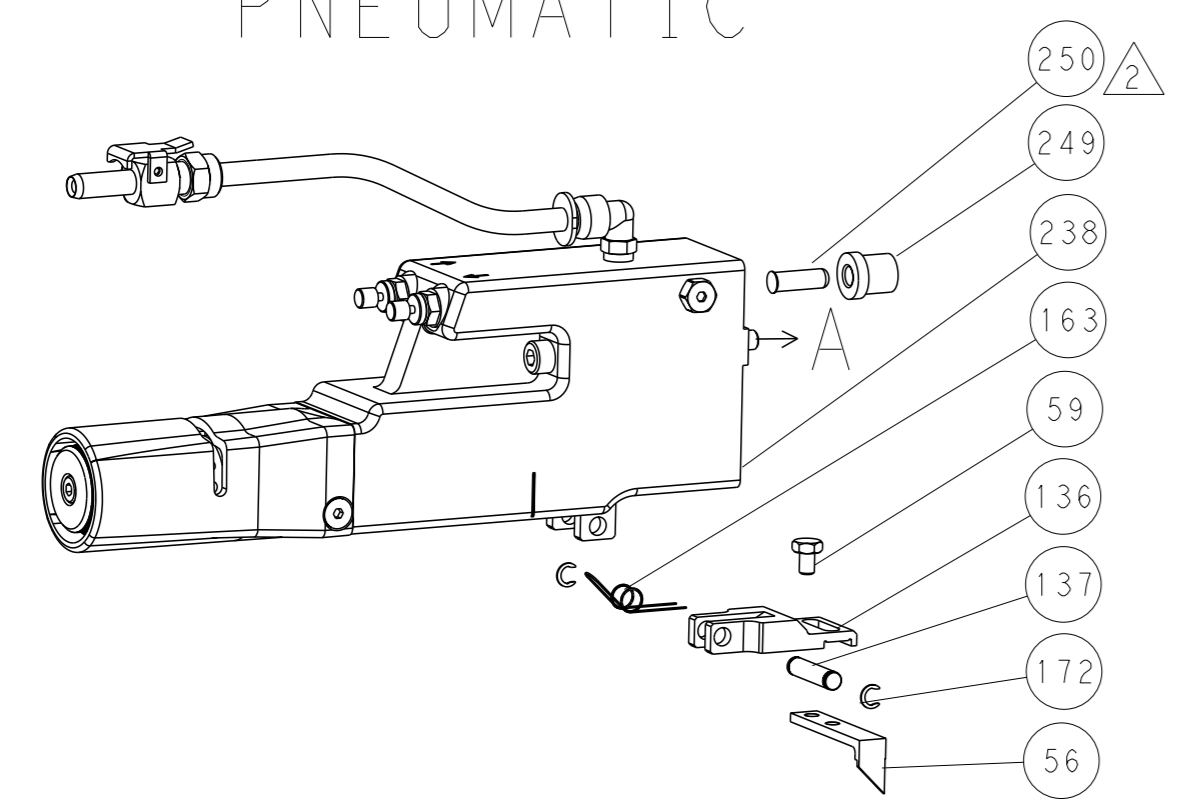
<small>THE DIMENSIONS TO WHICH THIS DRAWING IS REFERRED IN THE TOLERANCE SPECIFICATIONS ARE UNLESS OTHERWISE SPECIFIED TO BE IN MILLIMETERS AND TO BE TO THE CLOSEST PRACTICAL TOLERANCE.</small>		<small>OWN: R. KNEPPER 22-Oct-13 CHK: G. BAILEY 22-Oct-13 APVD: M. CLIFFORD 22-Oct-13 PRODUCT SPEC: - APPLICATION SPEC: - MATERIAL: - FINISH: -</small>		STE TE Connectivity Harrisburg, PA 17105-3608 NAME: Ocean Side Feed Applicator SIZE: A1 CASE CODE: 00779 DRAWING NO: 2266125 RESTRICTED TO: - Customer Accessible Production Drawing SCALE: 1:2 SHEET: 3 OF 4 REV: D	
---	--	---	--	--	--

LOC		DIST		REVISIONS			
A	66	P	LYR	DESCRIPTION	DATE	OWN	APVD
		-		SEE SHEET 1			

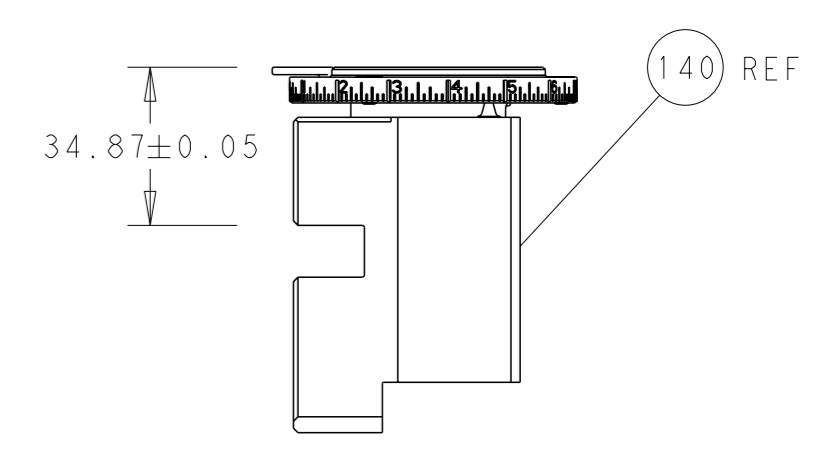
FEED TYPE MECHANICAL



PNEUMATIC

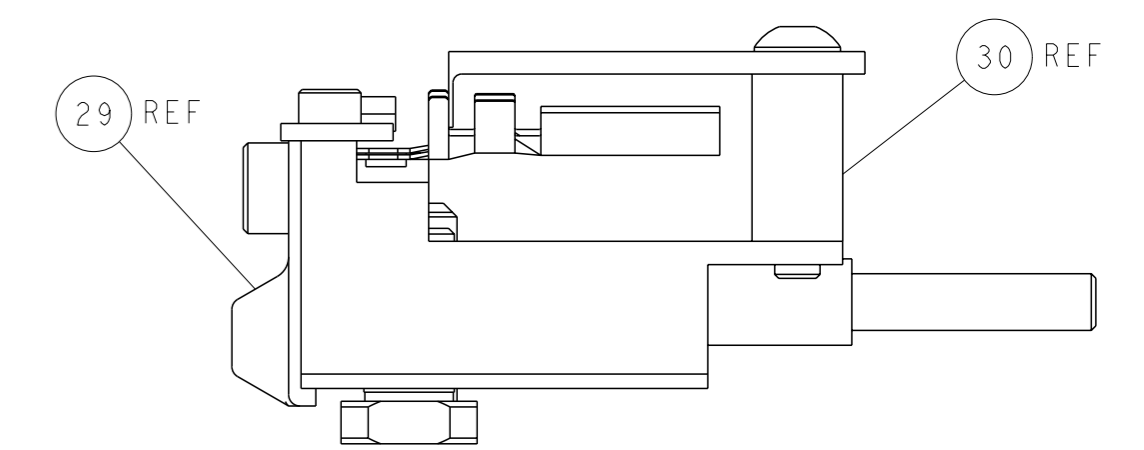


TERMINAL SUPPORT LOCATION



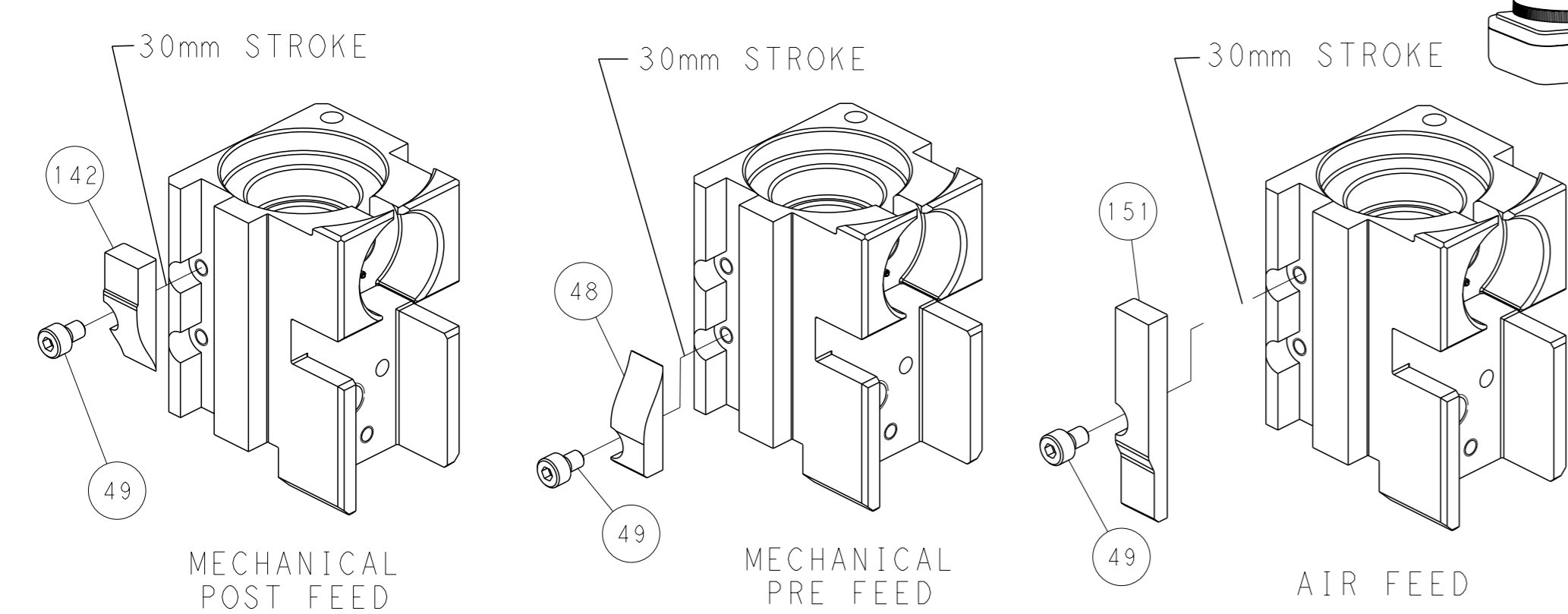
RAM SET-UP

ITEM 30 LOCATED AT REAR HOLES



FEED TRACK POSITION GUIDE BY INSULATION BARREL

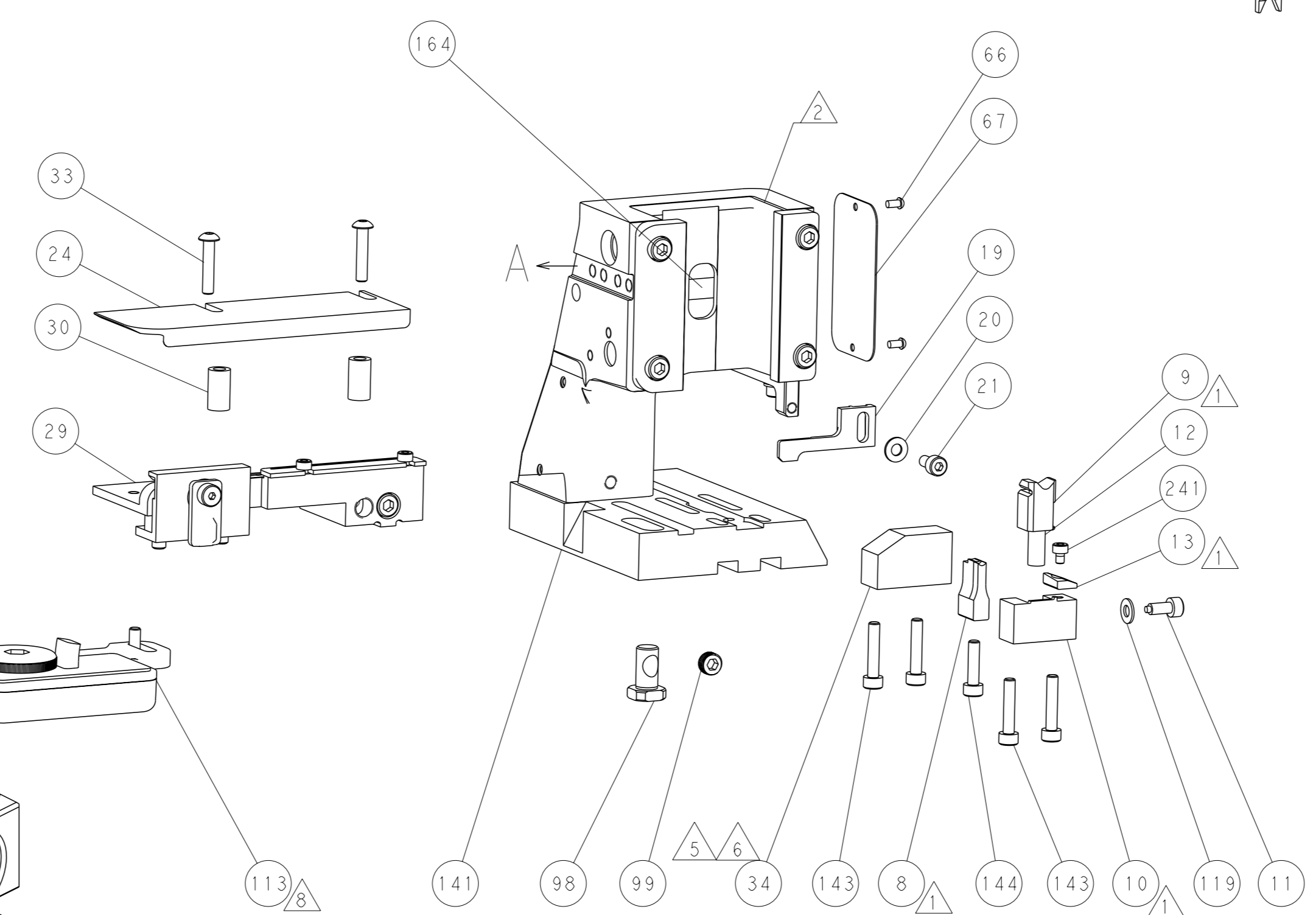
CAM POSITIONS



MECHANICAL POST FEED

MECHANICAL PRE FEED

AIR FEED



PACIFIC VERSION
 Shown on sheets 3 of 4 & 4 of 4
 (Atlantic version shown on sheets 1 of 4 & 2 of 4)

<small>THIS DRAWING IS A CONTROLLED DOCUMENT FOR TYCO ELECTRONICS CORPORATION. IT IS SUBJECT TO CHANGE AND THE CONTROLLER'S ENGINEERING ORGANIZATION SHOULD BE CONTACTED FOR THE LATEST REVISION.</small>		OWN: R. KNEPPER 22-Oct-13 CHK: G. BAILEY 22-Oct-13 APVD: M. CLIFFORD 22-Oct-13 PRODUCT SPEC: - APPLICATION SPEC: - WEIGHT: - MATERIAL: -	NAME: Ocean Side Feed Applicator SIZE: A1 CAGE CODE: 00779 DRAWING NO: C=2266125 SCALE: 1:2 SHEET: 4 of 4 REV: D	TE Connectivity Harrisburg, PA 17105-3608
---	--	--	--	--