
MNOG22-xD8C-xxT1

Features

- ◆ Single Fiber GPON ONU Transceiver
 - 1310nm burst-mode 1.24416 Gb/s transmitter with DFB laser
 - 1490nm continuous-mode 2.488Gb/s APD receiver
- ◆ Compliant with ITU-T G.984.2 Class B+
- ◆ Compliant with ITU-T G.984.5
- ◆ Digital diagnostic monitoring (DDM) with internal calibration
- ◆ 2×10 Small Form Factor (SFF) Metallic Package with SC/UPC pigtail optical interface
- ◆ Burst On/Off time is less than 12.8ns
- ◆ +3.3V separated power supply
- ◆ LVTTTL interface logic level for AC or DC coupled data input
- ◆ CML interface logic level for AC coupled data output
- ◆ LVTTTL for burst signal input
- ◆ LVTTTL for receiver loss of signal detect indication
- ◆ Compliant with RoHS 2.0
- ◆ Operating temperature range: 0°C~+70°C

Applications

- ◆ Gigabit-Passive Optical Network (GPON) ONT
- ◆ FTTx

Description

The transmitter is designed for single mode fiber and operates at wavelength of 1310nm. The transmitter module uses a DFB laser diode and fully compliant with IEC60825 and CDRH class 1 eye safety. It contains APC functions, a temperature compensation circuit to ensure compliance with G.984.2 requirement at operating temperature, data inputs and AC or DC coupling circuit.

The receiver section uses a hermetic packaged APD-TIA (APD with trans-impedance amplifier) and a limiting amplifier. The APD converts optical power into electrical current and the current is transformed to voltage by the trans-impedance amplifier. The differential DATA and /DATA CML data signals are produced by the limiting amplifier. The APD-TIA is AC coupled to the limiting amplifier through a low pass filter.

Specification

Absolute Maximum Ratings						
Parameter	Symbol	Min.	Max.	Unit	Note	
Storage Ambient Temperature	T _{STG}	-40	85	°C		
Operating Humidity	H _{OPR}	5	95	%		
Power Supply Voltage	V _{CC}	-0.3	4	V		
Receiver Damaged Threshold		3		dBm		

Recommended Operating Conditions						
Parameter	Symbol	Min.	Typ.	Max.	Unit	Note
Power Supply Voltage	V _{CC}	3.135	3.3	3.465	V	3.3V±5%
Operating Case Temperature	T _{case}	0		70	°C	
Operating Humidity Range	H _{OPR}	5		95	%	
Data Rate			1244		Mbps	

Transmitter Optical and Electrical Characteristics						
Parameter	Symbol	Min.	Typ.	Max.	Unit	Note
Optical Transmitter Power	P _{OUT}	0.5	2.5	5	dBm	1
Output Center Wavelength	λ _C	1290	1310	1330	nm	
Output Spectrum Width	Δλ			1	nm	
Side Mode Suppression Ratio	SMSR	30			dB	
Output Power At Transmit Off	P _{OFF}			-45	dBm	
Extinction Ratio	ER	10			dB	
Tx Enable/Disable Time				12.8	ns	3
Transmitter and Dispersion Penalty	TDP			1.0	dB	
Optical Eye Diagram	Compliant With ITU-T G984.2					2,4
Data Input Differential Swing	V _{IN}	200		1600	mV	5
Input Differential Impedance	Z _{IN}	90	100	110	Ω	
Tx_Burst Voltage		0		0.8	V	LVTTTL
		2.0		V _{CC}	V	
Tx_Fault Voltage		0		0.4	V	LVTTTL
		2.4		V _{CC}	V	
Tx_SD Voltage		0		0.4	V	LVTTTL
		2.4		V _{CC}	V	
Tx_SD Assert	t _A			200	ns	
Tx_SD Deassert	t _D			200	ns	

Note 1: Launched into 9/125um SMF.

Note 2: Measured with PRBS 2²³-1 @1244.16Mbit/s, and the 4th Bessel-Thompson filter is turned on.

Note 3: Refer to Timing Parameter Definition in Burst Mode Sequence.

Note 4: Transmitter eye mask definition in ITU-T G984.2.

Note 5: Compatible with LVPECL input.

Receiver Optical and Electrical Characteristics						
Parameter	Symbol	Min.	Typ.	Max.	Unit	Notes
Operating Wavelength	λ_C	1480	1490	1500	nm	
Receiver Sensitivity	P_{SEN}			-28	dBm	1
Overload Input Optical Power	P_{SAT}	-8			dBm	
Signal-Detected Assert Level	P_{SDA}			-30	dBm	2
Signal-Detected De-assert Level	P_{SDD}	-44			dBm	3
Signal-Detected Hysteresis	$P_{SDA}-P_{SDD}$	0.5	3	6	dBm	
Receiver Reflectance				-20	dB	$\lambda=1490nm$
WDM Filter Isolation	ISO1	30			dB	1260~1450nm
	ISO2	30			dB	1539~1675nm
1310nm Tx to 1490nm Rx Crosstalk				-45	dB	
Data Output Differential Swing	V_{OUT}	300		1200	mV	4
RX_SD Voltage		0		0.4	V	LVTTTL
		2.4		V_{CC}	V	
Signal-Detected Assert Time	T_{ASS}			100	us	
Signal-Detected Deassert Time	T_{DAS}			100	us	

Note 1: Measured with PRBS 2²³-1 @2488.32Mbit/s, ER=10dB, BER =10⁻¹⁰.

Note 2: A decrease in optical power below the specified level will cause the Signal Detect output to switch from a high state to a low state.

Note 3: An increase in optical power above the specified level will cause the Signal Detect output to switch from a low state to a high state.

Note 4: CML output, AC coupled internally, guaranteed in the full range of input optical power.

Digital Diagnostic Monitoring Information

Parameter	Range	Accuracy	Calibration
Temperature	0 to 70°C	±3°C	Internal
Voltage	3.0 to 3.6V	±3%	Internal
Bias Current	0 to 100mA	±10%	Internal
TX Power	0.5 to 5dBm	±3dB	Internal
RX Power	-28 to -8dBm	±3dB	Internal

Digital Diagnostic Memory Map

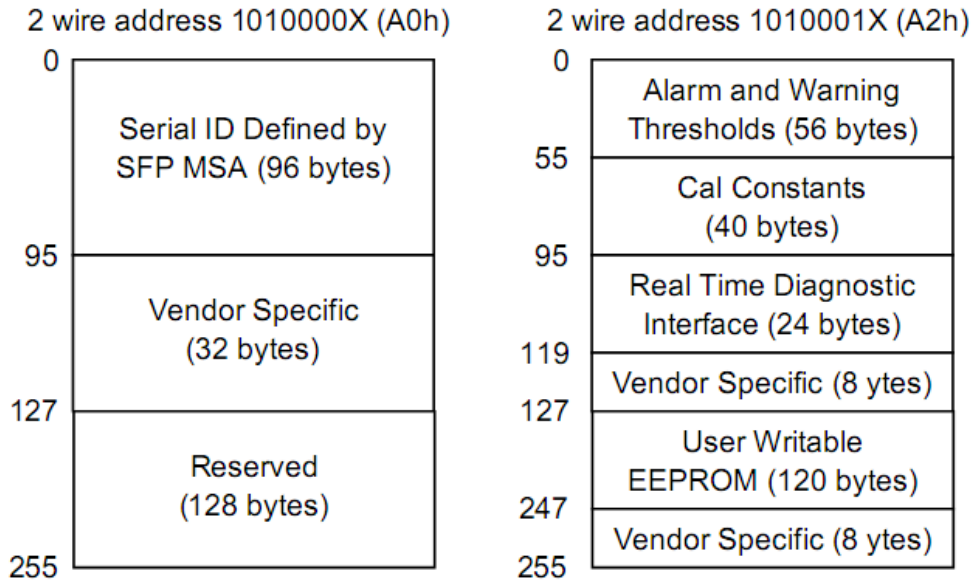


Figure1

EEPROM Serial ID Memory Contents

The optical transceiver contains an EEPROM. It provides access to sophisticated identification information that describes the transceiver's capabilities, standard interfaces, manufacturer, and other information. When the serial protocol is activated, the host generates the serial clock signal SCL. The positive edge clocks data into those segments of the EEPROM that are not writing protected within the SFF transceiver. The negative edge clocks data from the SFF transceiver. The serial data signal SDA is bi-directional for serial data transfer. The host uses SDA in conjunction with SCL to mark the start and end of serial protocol activation. The memories are organized as a series of 8-bit data words that can be addressed individually or sequentially.

The Module provides diagnostic information about the present operating conditions. The transceiver generates this diagnostic data by digitization of internal analog signals. Calibration and alarm/warning threshold data is written during device manufacture. Received power monitoring, transmitted power monitoring, bias current monitoring, supply voltage monitoring and temperature monitoring all are implemented. The diagnostic data are raw A/D values and must be converted to real world units using calibration constants stored in EEPROM locations 56 – 95 at wire serial bus address A2h. The digital diagnostic memory map specific data fields define as following.

EEPROM Serial ID Memory Contents (2-Wire Address A0h)

Address	Name of field	Hex	Description
BASE ID Fields			
00	Identifier	02	SFF transceiver
01	Ext. Identifier	08	Not defined
02	Connector	0B	Optical pigtail
03-05	Transceiver Codes	00 00 00	Not defined
06	Transceiver Codes	02	1000BASE-LX
07-10	Transceiver Codes	00 00 00 00	Not defined
11	Encoding	03	NRZ
12	BR, Nominal	0D	1300 MBps
13	Rate Identifier	00	Not defined
14	Length(9um)-km	14	20 km
15	Length(9um)-m	C8	20000 m
16	Length(50um)	00	Transceiver transmit distance
17	Length(62.5um)	00	
18	Length(cable)	00	Not support cable
19	Length(OM3)	00	Not support OM3
20-35	Vendor Name	4D 45 4E 54 45 43 48 4F 50 54 4F 20 20 20 20 20	"MENTECHOPTO"(ASCII character)
36	Reserved	00	Not defined
37-39	Vendor OUI	00 00 00	Not defined
40-55	Vendor P/N	4D 4E 4F 47 32 32 2D 4C 44 38 43 2D 41 43 54 31	"MNOG22-LD8C-ACT1"(ASCII character)
56-59	Vendor P/N Rev.	31 2E 30 20	"1.0"(ASCII character)
60-61	Laser Wavelength	05 1E	1310nm
62	Reserved	00	Not defined
63	CC_BASE	xx	Check sum of bytes 0-62
Extended ID Fields			
64-65	Options	00 1C	TX_Disable、TX_Faultand RX_SD are implemented
66	BR, max	14	1560 MBps
67	BR, min	14	1040 MBps
68-83	Vendor SN	xx xx xx xx xx xx xx xx xx xx xx xx xx xx xx xx	Vendor Serial Number in ASCII character
84-91	Date Code	xx xx xx xx xx xx xx xx	Vendor Date Code in ASCII character
92	Diagnostic Monitoring Type	68	Digital Diagnostic monitoring implemented "Internally calibrated " is implemented, RX measurement

			type is "Average Power"
93	Enhanced options	E0	Optional Alarm/warning flags, soft Tx_Disable control and monitoring, soft Tx_Fault monitoring are implemented
94	SFF-8472 compliant	02	SFF-8472 compliant with revision 9.5
95	CC-EXT	xx	Check sum of bytes 64-94
Vendor Specific ID Field			
96-127	Vendor Specific	00	Vendor specific EEPROM
128-255	Reserved	00	Reserved for future use

Digital Diagnostic Monitoring Interface: Alarm and Warning Thresholds (2-Wire Address A2h)

Address	#Bytes	Name	Real Value	Unit	Hex
00-01	2	Temp High Alarm	120	°C	
02-03	2	Temp Low Alarm	-45	°C	
04-05	2	Temp High Warning	110	°C	
06-07	2	Temp Low Warning	-40	°C	
08-09	2	Voltage High Alarm	3.6	V	
10-11	2	Voltage Low Alarm	2.9	V	
12-13	2	Voltage High Warning	3.5	V	
14-15	2	Voltage Low Warning	3	V	
16-17	2	Bias High Alarm	70	mA	
18-19	2	Bias Low Alarm	2	mA	
20-21	2	Bias High Warning	65	mA	
22-23	2	Bias Low Warning	3	mA	
24-25	2	TX Power High Alarm	6	dBm	
26-27	2	TX Power Low Alarm	-2	dBm	
28-29	2	TX Power High Warning	5	dBm	
30-31	2	TX Power Low Warning	0	dBm	
32-33	2	RX Power High Alarm	-6	dBm	
34-35	2	RX Power Low Alarm	-37	dBm	
36-37	2	RX Power High Warning	-8	dBm	
38-39	2	RX Power Low Warning	-34	dBm	
40-55	16	Reserved	Reserved		

Pin Description

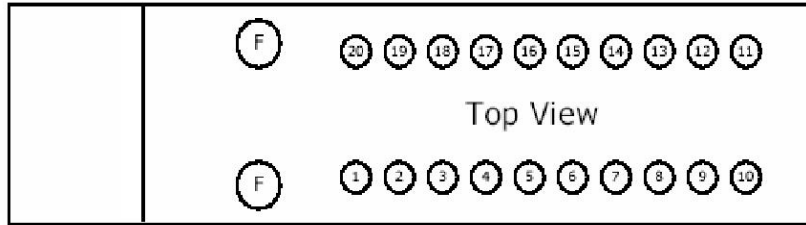


Figure2

Pin No	Name	Default Description	Note
1	NC	No Function Definition, needs to be connected to Ground.	
2	GND	Ground	
3	GND	Ground	
4	NC	No Function Definition	
5	NC	No Function Definition	
6	V _{EER}	Receiver Signal Ground	
7	V _{CCR}	Receiver Power Supply	
8	Rx_SD	Receiver Signal-Detected Indication (LVTTTL), internally pull up, "1": Optical Signal-Detected.	1
9	RD-	Inverted Receiver Data Output(CML/AC coupled)	
10	RD+	Non-inverted Receiver Data Output(CML/AC coupled)	
11	V _{CCT}	Transmitter Power Supply	
12	V _{EET}	Transmitter Signal Ground	
13	Tx_Burst	Transmitter Burst Control (LVTTTL)	2
14	TD+	Non-inverted Transmitter Data Input(LVPECL)	3
15	TD-	Inverted Transmitter Data Input(LVPECL)	3
16	V _{EET}	Transmitter Signal Ground	
17	SCL	Clock Line of the I ² C interface (LVTTTL)	4
18	SDA	Data Line of the I ² C interface (LVTTTL)	4
19	Tx_Fault	Transmitter Fault Indication (LVTTTL), internally pull up, "1": Fault.	5
20	Tx_SD	Transmitter Signal-Detected Indication (LVTTTL), "1": Optical Signal-Detected.	
F	MS	Mounting Studs	

Note 1: LVTTTL logic output, with 4.7~10KΩ pull-up resistor internally. Optical Signal-Detected: High.

Note 2: A positive level enable optical signal output under burst mode.

Note 3: AC or DC coupled internally.

Note 4: I²C interface, they should be pulled up with 4.7~10KΩ resistors externally.

Note 5: LVTTTL logic output, with 4.7~10KΩ pull-up resistor internally.

Function Description

The transceiver provides high-speed Bi-directional serial optical link for GPON application up to 20km.

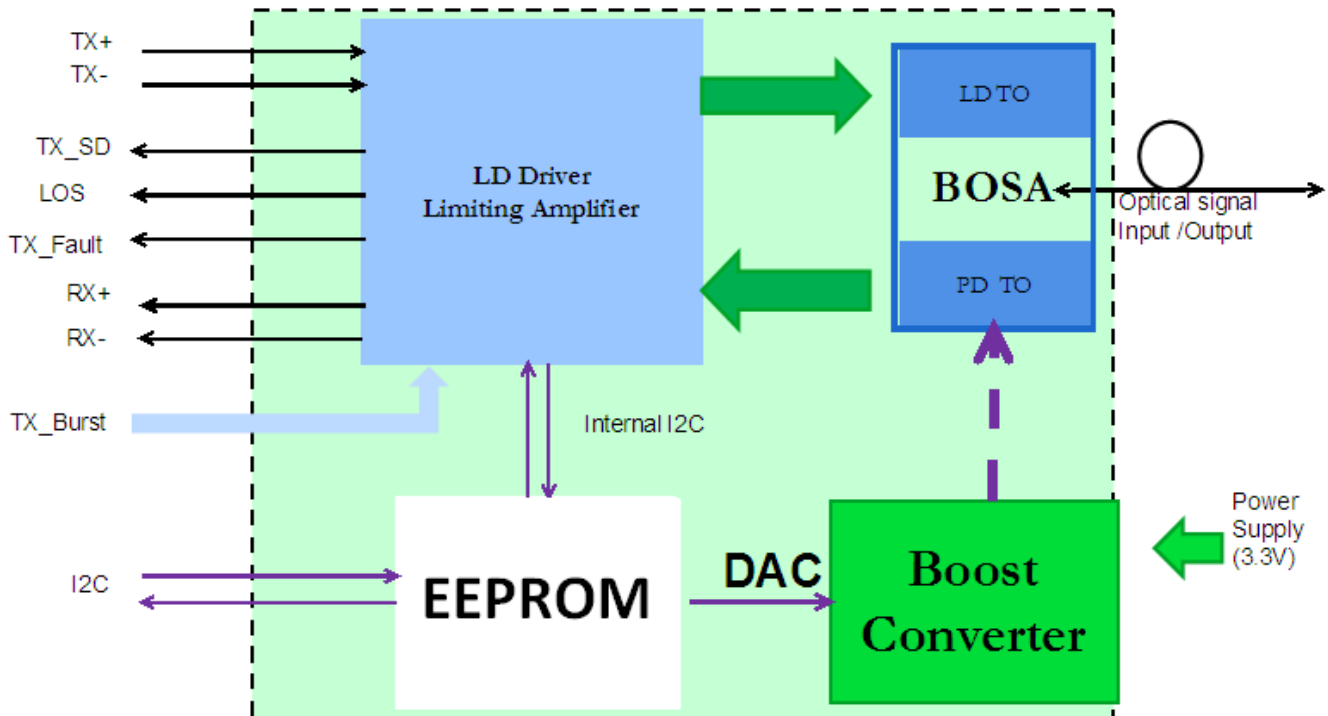


Figure3 Block diagram

The burst-mode transmitter part has a 1310nm DFB laser. It features AC or DC-coupled differential data inputs. Tx_Burst is a LVTTTL input for TX shut down control. When Tx_Burst is "H", Logic "1" open the LD driver; When Tx_Burst is "L", Logic "0" open the LD driver.

The 1490nm continuous-mode receiver part has a high performance photo detector. The preamplifier (TIA) and limiting amplifier amplify the incoming optical signal into the stable range and convert the signal to differential AC-coupled CML outputs. SD is LVTTTL output, which logic"0" indicates the input power is lower than the threshold, logic"1" indicates the input power is above the threshold.

Interface Circuit

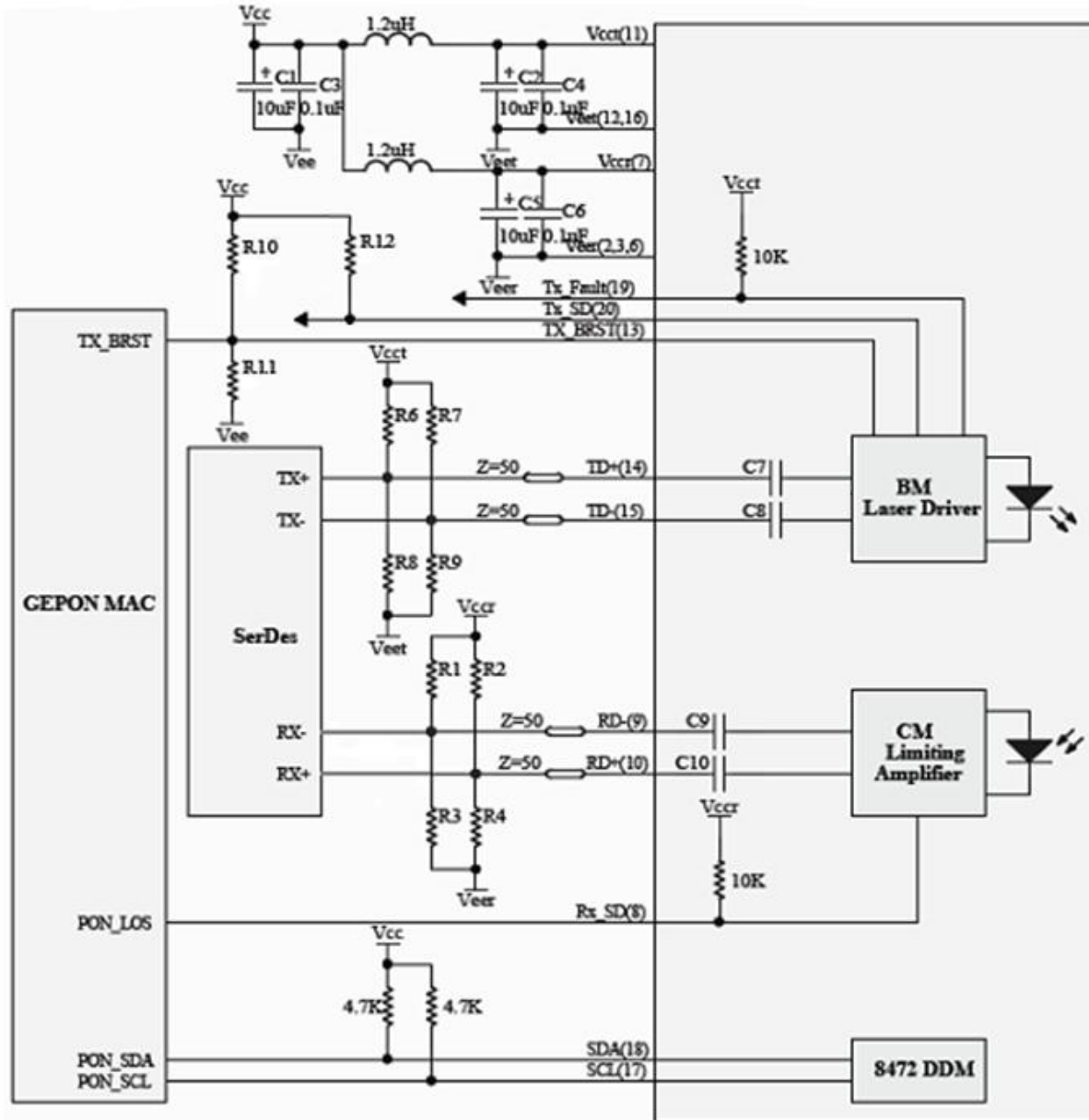


Figure4

Note A: When the Tx_Burst is "H", The configure is R10=NC, R11=10K;

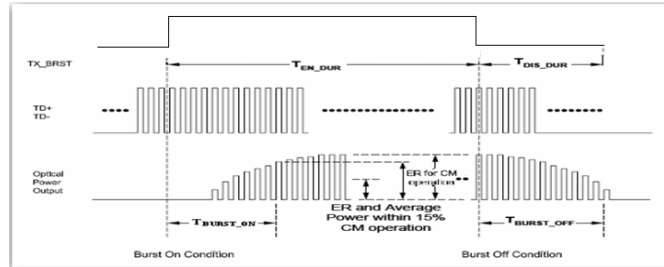
When the Tx_Burst is "L", The configure is R10=10K, R11=NC;

Note B: When input is "DC" coupled internally, The configure is R6=R7=130Ω, R8=R9=82Ω, C7=C8=0Ω;

When input is "AC" coupled internally, The configure is R6=R7=R8=R9=NC, C7=C8=0.1uF;

Burst Mode Sequence

When the Tx_Burst is "H":



When the Tx_Burst is "L":

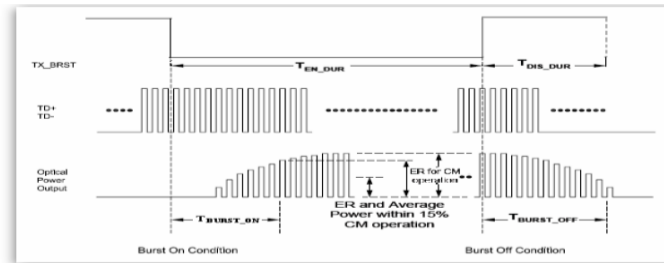


Figure5

Package Outline

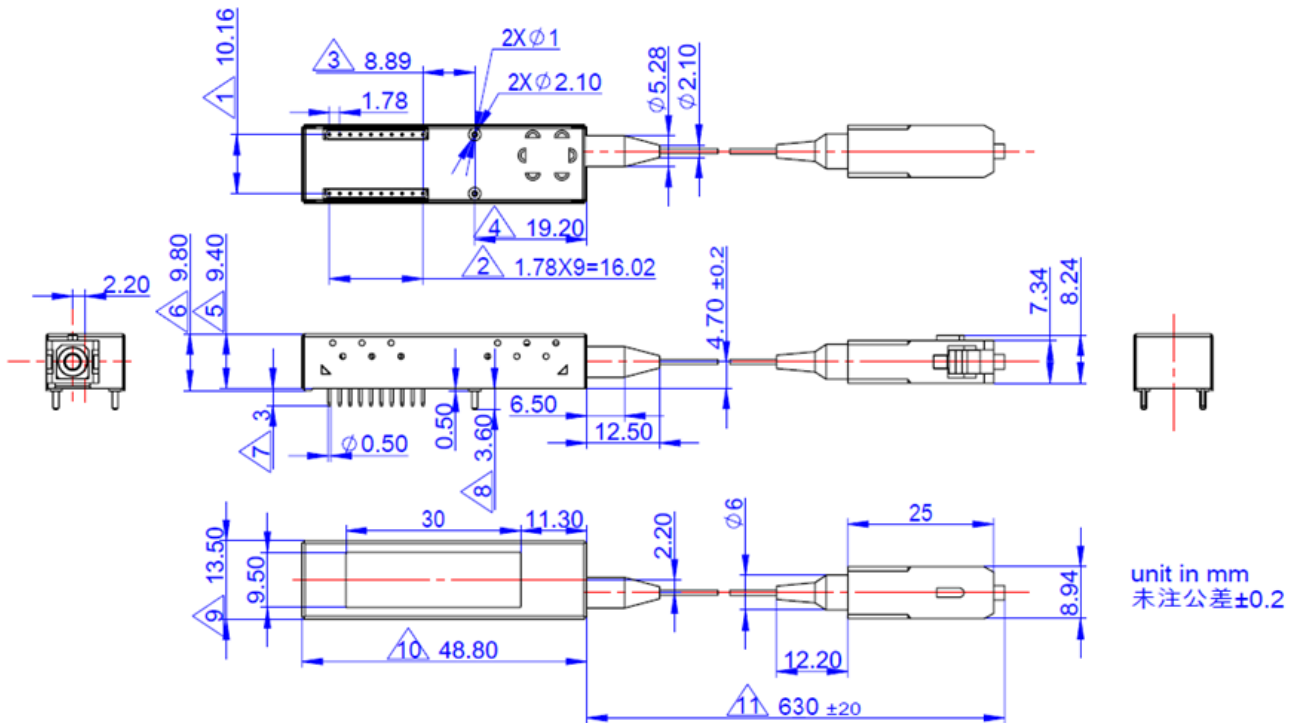


Figure 6

Ordering information

Model NO.	Specifications									
	Package	Data Rate Tx/Rx	Tx (nm)	Po (dBm)	Rx (nm)	Sen (dBm)	Temp (°C)	Reach (Km)	DDM	Others
MNOG22-D8C -ACT1	SFF	1.25/2.5G	1310 DFB	0.5~5	1490 APD	<-28	0~70	20	Y	SC/UPC pigtail, High-Burst On, TD+/-:AC
MNOG22-D8C -DCT1	SFF	1.25/2.5G	1310 DFB	0.5~5	1490 APD	<-28	0~70	20	Y	SC/UPC pigtail, High-Burst On, TD+/-:DC
MNOG22-LD8 C-ACT1	SFF	1.25/2.5G	1310 DFB	0.5~5	1490 APD	<-28	0~70	20	Y	SC/UPC pigtail, LOW-Burst On, TD+/-:AC
MNOG22-LD8 C-DCT1	SFF	1.25/2.5G	1310 DFB	0.5~5	1490 APD	<-28	0~70	20	Y	SC/UPC pigtail, LOW-Burst On, TD+/-:DC