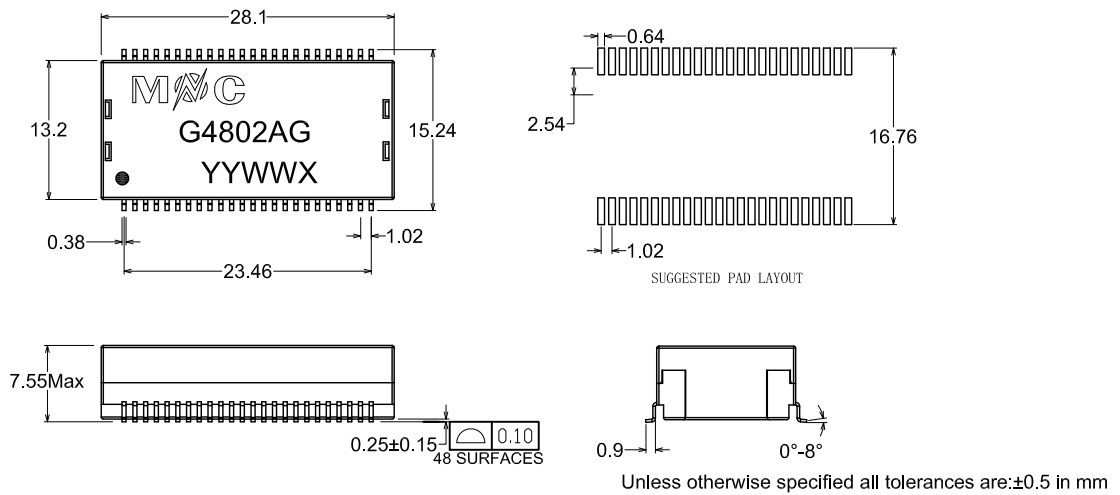


- Meets IEEE 802.3 & ANSI X3.263 Standards.
- RoHS Compliant.
- 10/100/1000 Base-T, Surface Mount Type, Assembly Header.
- Operating temperature range: 0°C to +70°C



Electrical Specifications @25°C											
Part Number	OCL(uH Min) @100KHz,0.2V	Turns Ratio (±5%)	Insertion Loss (dB Max)			Return Loss (dB Min)		Cross talk (dB Min)		CMRR (dB Min) 0.5-100MHz	HI-POT (Vrms)
	With 8mA DC Bias		0.5-100MHz	0.5-40MHz	40.1-100MHz	0.5-40MHz	40.1-100MHz	0.5-40MHz	40.1-100MHz		
G4802AG	350	1CT:1CT	-1.1	-18	-12+20*log(f/80)	-35	-33+20*log(f/50)	-30	1500		

MECHANICAL



SCHEMATICS

