

# 型号 : SBT610RT



## 特点与用途/Features&Application

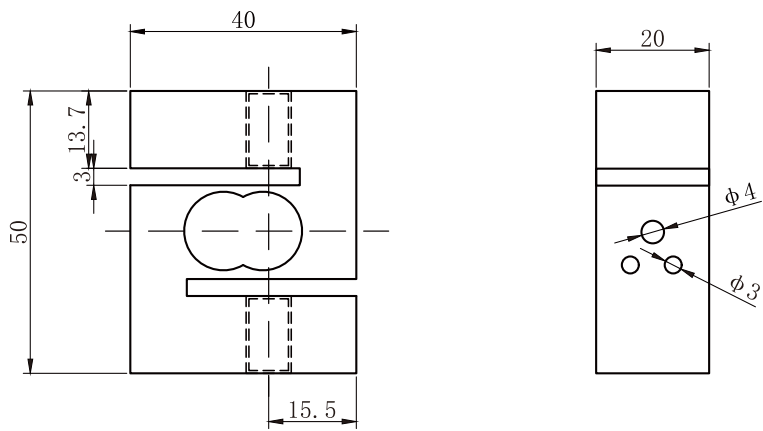
广泛应用于拉力试验机,料斗称,材料试验机,推拉力计等各种工业自动化设备。

测量精度优于0.05%,长期稳定性好,重复性高,可靠性高。

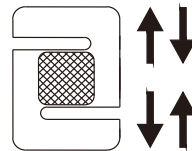
采用传感器专用铝合金材质

Widely used in tensile testing machine, hopper, material testing machine, push pull meter and other industrial automation equipment.,The measurement accuracy is better than 0.05%, good long-term stability, high repeatability and high reliability.Use of special aluminum alloy material for sensor.

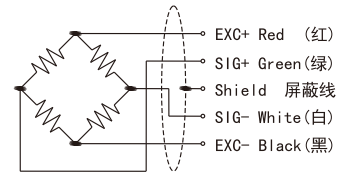
## 安装尺寸/Mounting Dimension



## 受力方式/Load Direction



## 接线图/Wiring



## 技术参数/Technical Parameters

参数	Specifications	技术指标/Technique
传感器量程	Rated load	0.5, 1, 2kg
综合误差	Comprehensive error	≤ ±0.03%
非线性	Non-linearity	0.03%
灵敏度	Rated output	2.0 ± 0.005mV/V
蠕变	Creep	±0.3%F.S./30min
零点输出	Zero balance	±2.0F.S.
输入阻抗	Input resistance	410 ± 10Ω
输出阻抗	Output resistance	350 ± 5Ω
绝缘电阻	Insulation resistance	≥ 5000MΩ/100VDC
灵敏度温度影响	Temp. effect on span	±0.025%F.S./10°C
零点温度影响	Temp. effect on zero	±0.025%F.S./10°C
温度补偿范围	Compensated temp range	-10~40°C
使用温度范围	Use temp range	-20~80°C
激励电压	Excitasion voltage	5~12V
安全过载范围	Safe overload	150%F.S.
极限过载范围	Ultimate overload	200%F.S.
防护等级	Defend grade	Ip65