

型号 : SBT640

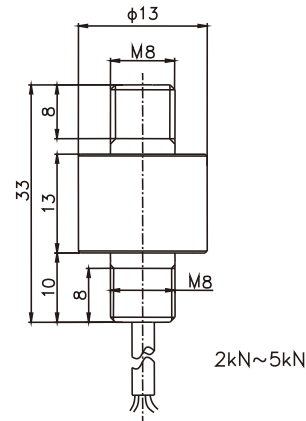
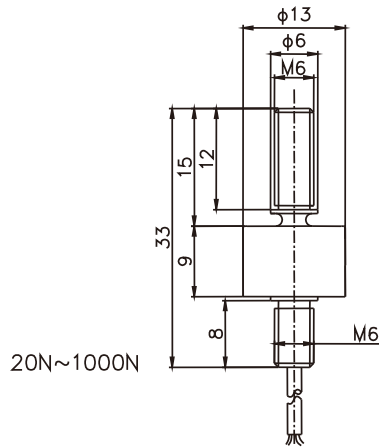


特点与用途/Features&Application

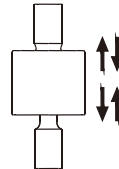
不锈钢或铝合金材料微型传感器。采用金属箔式应变片技术。适用于各种小空间的测力，广泛应用于工业、研发等领域的测量和控制

Miniature load cell with metal foil strain gauge technology, made of stainless steel or aluminum alloy. Suitable for force measurement in limited spaces. Widely used for industrial measurement and control, R&D and other applications

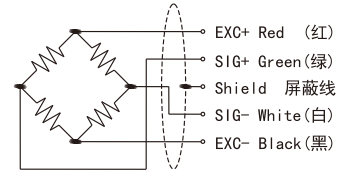
安装尺寸/Mounting Dimension



受力方式/Load Direction



接线图/Wiring



技术参数/Technical Parameters

参数	Specifications	技术指标/Technique
传感器量程	Rated load	20, 50, 100, 150, 200, 300, 500N 1, 2, 3, 4, 5kN
综合误差	Comprehensive error	≤ ±0.5%
非线性	Non-linearity	0.5%
灵敏度	Rated output	2.0 ± 20% mV/V
蠕变	Creep	±0.05% F.S. / 30min
零点输出	Zero balance	±0.05% F.S.
输入阻抗	Input resistance	800 ± 10 Ω
输出阻抗	Output resistance	800 ± 5 Ω
绝缘电阻	Insulation resistance	≥ 5000 MΩ / 100VDC
灵敏度温度影响	Temp. effect on span	±0.05% F.S. / 10°C
零点温度影响	Temp. effect on zero	±0.05% F.S. / 10°C
温度补偿范围	Compensated temp range	-10 ~ 60°C
使用温度范围	Use temp range	-20 ~ 80°C
激励电压	Excitation voltage	5 ~ 10V
安全过载范围	Safe overload	150% F.S.
极限过载范围	Ultimate overload	200% F.S.
防护等级	Defend grade	Ip66