

## 型号 : SBT641C

## 特点与用途/Features&Application

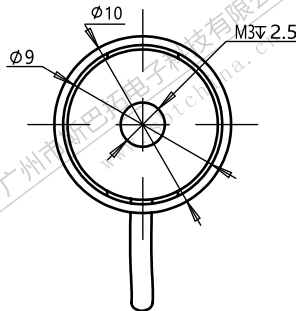
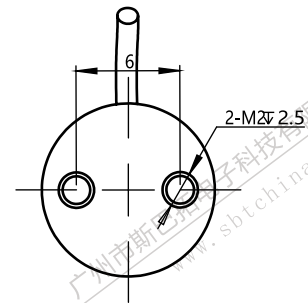
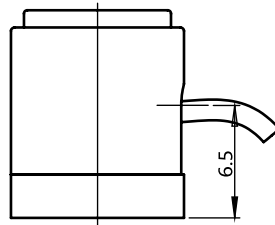
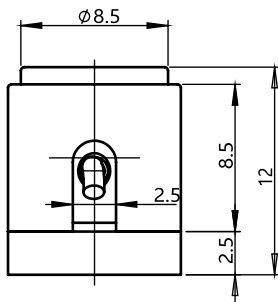
微型拉压力传感器，体积小，高度低，变形量小，圆柱外形，不锈钢材料，拉压双向

主要用于推、拉力计，各种工业测力及称重系统等。

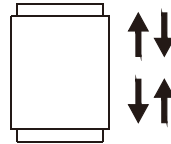


Micro pressure sensor, small volume, low altitude, the deformation is small, cylindrical shape, stainless steel materials, tension and compression bidirectional  
Mainly for the push, pull, all kinds of industrial measuring and weighing system and so on.

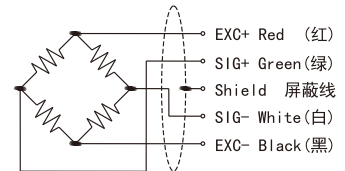
## 安装尺寸/Mounting Dimension



## 受力方式/Load Direction



## 接线图/Wiring



## 技术参数/Technical Parameters

参数	Specifications	技术指标/Technique
传感器量程	Rated load	10, 20, 30, 50, 100, 200N
综合误差	Comprehensive error	≤ ±0.1%
非线性	Non-linearity	0.1%
灵敏度	Rated output	2.0 ± 10% mV/V
蠕变	Creep	±0.1% F.S. / 30min
零点输出	Zero balance	±2.0% F.S.
输入阻抗	Input resistance	350 ± 30 Ω
输出阻抗	Output resistance	350 ± 10 Ω
绝缘电阻	Insulation resistance	≥ 5000 MΩ / 100VDC
灵敏度温度影响	Temp. effect on span	±0.05% F.S. / 10°C
零点温度影响	Temp. effect on zero	±0.05% F.S. / 10°C
温度补偿范围	Compensated temp range	-10 ~ 40°C
使用温度范围	Use temp range	-20 ~ 60°C
激励电压	Excitation voltage	5 ~ 15V
安全过载范围	Safe overload	150% F.S.
极限过载范围	Ultimate overload	200% F.S.
防护等级	Defend grade	Ip66