

型号 : SBT650

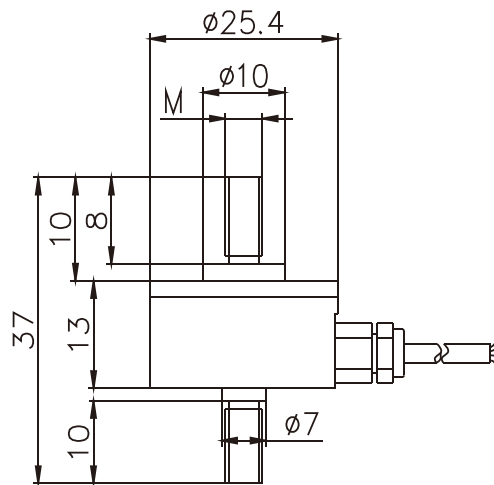


特点与用途/Features&Application

微型传感器，高度低，变形量小，不锈钢材料，拉压双向，主要用于汽车压装、自动化组装、3C产品测试、新能源产品组装、医疗检测、机器人领域、模具组装等工业自动化领域

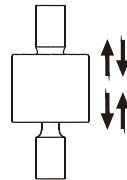
Micro sensor, high low, small deformation, stainless steel material, tension and compression bidirectional, mainly used in automotive pressure equipment, automated assembly, 3 c product testing, new energy, medical testing, product assembly robot, mold assembly, and other areas of the industrial automation field

安装尺寸/Mounting Dimension

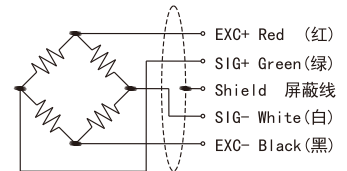


Capacity (N)	M	Weight Approx.
50~500	M5	0.1kg
1000	M6	0.1kg

受力方式/Load Direction



接线图/Wiring



技术参数/Technical Parameters

参数	Specifications	技术指标/Technique
传感器量程	Rated load	50, 100, 200, 300, 500, 1000, 2000N
综合误差	Comprehensive error	≤ ±0.1%
非线性	Non-linearity	0.1%
灵敏度	Rated output	2.0 ± 10% mV/V
蠕变	Creep	±0.05% F.S. / 30min
零点输出	Zero balance	±0.05% F.S.
输入阻抗	Input resistance	800~1100Ω
输出阻抗	Output resistance	800~1100Ω
绝缘电阻	Insulation resistance	≥ 5000MΩ / 100VDC
灵敏度温度影响	Temp. effect on span	±0.05% F.S. / 10°C
零点温度影响	Temp. effect on zero	±0.05% F.S. / 10°C
温度补偿范围	Compensated temp range	-10~60°C
使用温度范围	Use temp range	-20~80°C
激励电压	Excitasion voltage	10~15V
安全过载范围	Safe overload	150% F.S.
极限过载范围	Ultimate overload	200% F.S.
防护等级	Defend grade	Ip66