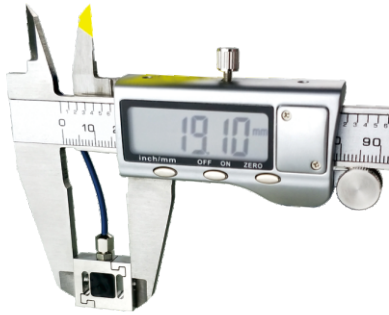


型号 : SBT630



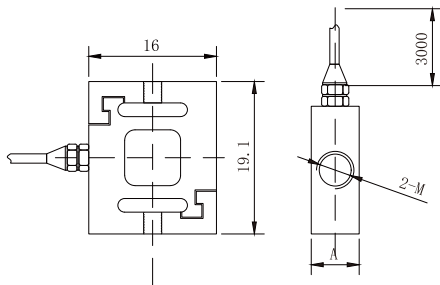
特点与用途/Features&Application

传感器专用不锈钢材料，采用金属箔式应变片技术，带过载保护。
主要用于推拉力计，料斗秤，工业测量系统

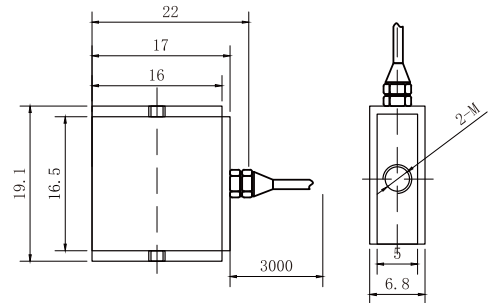
Tension and compression load cell with metal foil strain gauge technology and over load protection, made of stainless steel. Mainly used for pull and push dynamometer, hopper scale and industrial measuring systems.

安装尺寸/Mounting Dimension

2-500N 不带壳

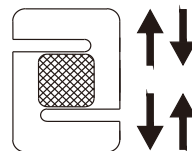


2-20N 带壳

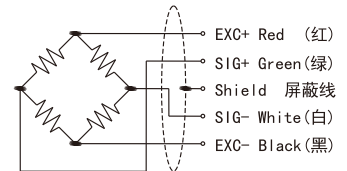


| 量程 | A | M | 备注 |
|------------------------|---|---|------|
| 2.5, 5, 10, 20 | 5 | 3 | 可带外壳 |
| 50, 100, 200, 300, 500 | 6 | 4 | 不带外壳 |

受力方式/Load Direction



接线图/Wiring



技术参数/Technical Parameters

| 参数 | Specifications | 技术指标/Technique |
|---------|------------------------|--|
| 传感器量程 | Rated load | 5, 10, 15, 20, 30, 50, 100, 200, 300, 500, 1000N |
| 综合误差 | Comprehensive error | ≤ ±0.1% |
| 非线性 | Non-linearity | 0.1% |
| 灵敏度 | Rated output | 2.0 ± 10% mV/V |
| 蠕变 | Creep | ±0.05% F.S. / 30min |
| 零点输出 | Zero balance | ±0.2 F.S. |
| 输入阻抗 | Input resistance | 350 ± 30 Ω |
| 输出阻抗 | Output resistance | 350 ± 5 Ω |
| 绝缘电阻 | Insulation resistance | ≥ 5000 MΩ / 100VDC |
| 灵敏度温度影响 | Temp. effect on span | ±0.057% F.S. / 10°C |
| 零点温度影响 | Temp. effect on zero | ±0.05% F.S. / 10°C |
| 温度补偿范围 | Compensated temp range | -10 ~ 60°C |
| 使用温度范围 | Use temp range | -20 ~ 80°C |
| 激励电压 | Excitation voltage | 9 ~ 12V |
| 安全过载范围 | Safe overload | 150% F.S. |
| 极限过载范围 | Ultimate overload | 300% F.S. |
| 防护等级 | Defend grade | Ip66 |