

型号 : SBT650B

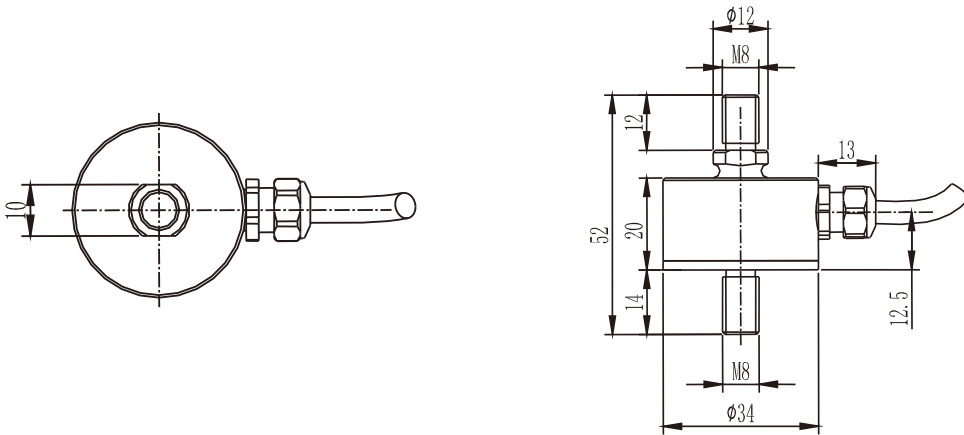


特点与用途/Features&Application

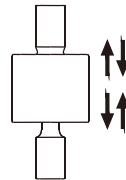
微型传感器，高度低，变形量小，动态响应频率高，不锈钢材料，拉压双向，主要用于汽车压装、3C产品测试、新能源组装、医疗检测、机器人领域、模具组装等自动化领域

Micro sensor, high low, small deformation, dynamic day should be of high frequency of stainless steel materials, tension and compression bidirectional, mainly used in automobile, 3 c product testing, installation of new energy assembly, medical testing, robotics, and mold assembly automation

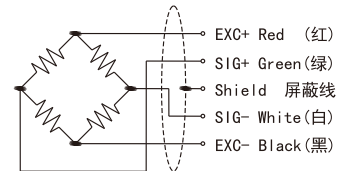
安装尺寸/Mounting Dimension



受力方式/Load Direction



接线图/Wiring



技术参数/Technical Parameters

参数	Specifications	技术指标/Technique
传感器量程	Rated load	0.5, 1, 1.5, 2, 3, 5KN
综合误差	Comprehensive error	$\leq \pm 0.2\%$
非线性	Non-linearity	0.2%
灵敏度	Rated output	$1.5 \pm 20\% \text{mV/V}$
蠕变	Creep	$\pm 0.05\% \text{F.S.}/30\text{min}$
零点输出	Zero balance	$\pm 0.1 \text{F.S.}$
输入阻抗	Input resistance	$700 \pm 10 \Omega$
输出阻抗	Output resistance	$700 \pm 10 \Omega$
绝缘电阻	Insulation resistance	$\geq 5000 \text{M}\Omega/100\text{VDC}$
灵敏度温度影响	Temp. effect on span	$\pm 0.05\% \text{F.S.}/10^\circ\text{C}$
零点温度影响	Temp. effect on zero	$\pm 0.05\% \text{F.S.}/10^\circ\text{C}$
温度补偿范围	Compensated temp range	$-10 \sim 60^\circ\text{C}$
使用温度范围	Use temp range	$-20 \sim 80^\circ\text{C}$
激励电压	Excitasion voltage	$5 \sim 15\text{V}$
安全过载范围	Safe overload	150%F.S.
极限过载范围	Ultimate overload	200%F.S.
防护等级	Defend grade	Ip66