

# 型号 : SBT751A

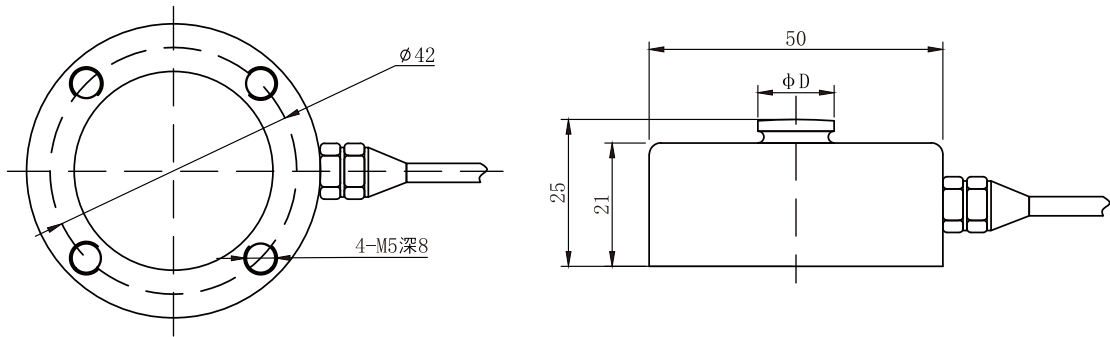
## 特点与用途/Features&Application

采用传感器专用不锈钢材质，重复性，可靠性高，长期稳定性好。小身材大量程  
 广泛应用于压力试验机，工件压装，材料试验机等各种工业自动化设备。



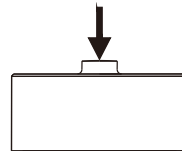
Sensors use special stainless steel material, repeatability, high reliability, good long-term stability. Small body big range  
 Widely used in pressure testing machine, the workpiece installation, material testing machine and other various industrial automation equipment.

## 安装尺寸/Mounting Dimension

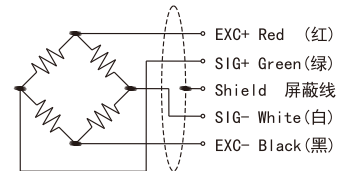


量程(KN)	D	重量
1,2,5,10,20	13	0.4kg
50	16	0.4kg
100	21	0.4kg

### 受力方式/Load Direction



### 接线图/Wiring



## 技术参数/Technical Parameters

参数	Specifications	技术指标/Technique
传感器量程	Rated load	0.5, 1, 2, 5, 10, 20, 50, 100KN
综合误差	Comprehensive error	≤ ±0.1%
非线性	Non-linearity	0.1%
灵敏度	Rated output	2.0 ± 10% mV/V
蠕变	Creep	±0.1% F.S. / 30min
零点输出	Zero balance	±0.02% F.S.
输入阻抗	Input resistance	350 ± 10 Ω
输出阻抗	Output resistance	350 ± 5 Ω
绝缘电阻	Insulation resistance	≥ 5000 MΩ / 100VDC
灵敏度温度影响	Temp. effect on span	±0.05% F.S. / 10°C
零点温度影响	Temp. effect on zero	±0.05% F.S. / 10°C
温度补偿范围	Compensated temp range	-10 ~ 60°C
使用温度范围	Use temp range	-20 ~ 80°C
激励电压	Excitation voltage	5 ~ 15V
安全过载范围	Safe overload	120% F.S.
极限过载范围	Ultimate overload	150% F.S.
防护等级	Defend grade	Ip66