

## 型号 : SBT750A

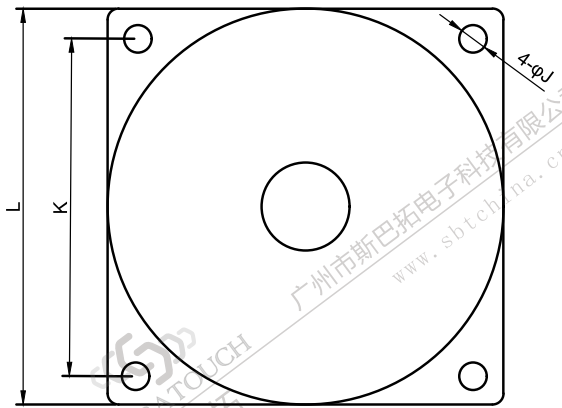
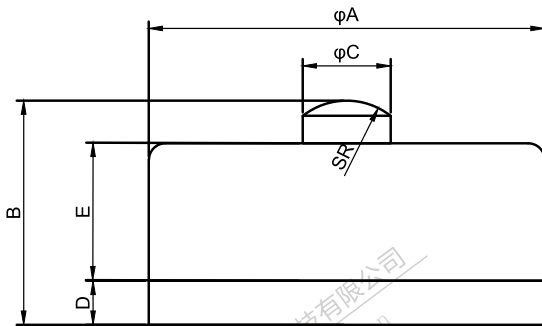
## 特点与用途/Features&Application



采用传感器专用不锈钢材质，重复性，可靠性高，长期稳定性好。小身材大量程  
广泛应用于压力试验机，工件压装，材料试验机等各种工业自动化设备。

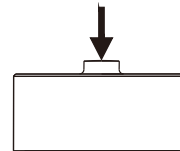
Sensors use special stainless steel material, repeatability, high reliability, good long-term stability. Small body big range  
Widely used in pressure testing machine, the workpiece installation, material testing machine and other various industrial automation equipment.

## 安装尺寸/Mounting Dimension

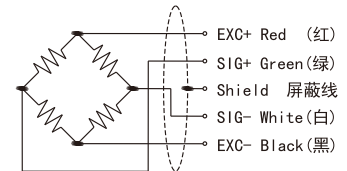


量程T	φA	B	φC	D	E	K	L	SR	φJ
0.2~0.7	72	41	16	8	25	62	72	8	4.6
1~8	88	53	20	10	34	75	88	12	5.6
10~15	114	70	25	13	46	95	114	25	6.5
20~30	145	91	32	16	60	120	145	30	11

## 受力方式/Load Direction



## 接线图/Wiring



## 技术参数/Technical Parameters

参数	Specifications	技术指标/Technique
传感器量程	Rated load	0.2, 0.5, 0.7, 1, 2, 5, 8, 10, 15, 20, 30 T
综合误差	Comprehensive error	≤ 0.03%
非线性	Non-linearity	0.03
灵敏度	Rated output	2.0 ± 0.5 mV/V
蠕变	Creep	± 0.03% F.S. / 30min
零点输出	Zero balance	± 1.0% F.S.
输入阻抗	Input resistance	750 ± 20 Ω
输出阻抗	Output resistance	700 ± 5 Ω
绝缘电阻	Insulation resistance	≥ 5000 MΩ / 50VDC
灵敏度温度影响	Temp. effect on span	± 0.03% F.S. / 10°C
零点温度影响	Temp. effect on zero	± 0.03% F.S. / 10°C
温度补偿范围	Compensated temp range	-10 ~ 60°C
使用温度范围	Use temp range	-20 ~ 80°C
激励电压	Excitation voltage	10 ~ 15V
安全过载范围	Safe overload	150% F.S.
极限过载范围	Ultimate overload	200% F.S.
防护等级	Defend grade	Ip66