

型号 : SBT771

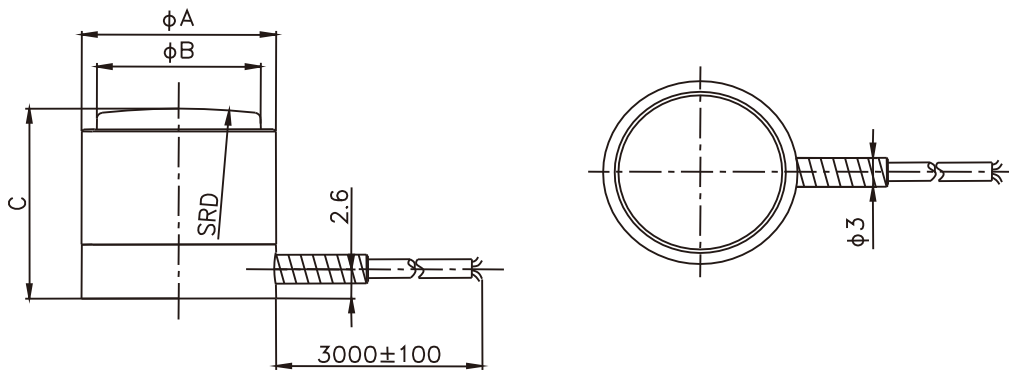


特点与用途/Features&Application

外形尺寸小，量程大，变形量小，传感器专用不锈钢材料。适用于各种小空间的大量程测力，广泛应用于工业，研发，自动化制造等领域的测量和控制。

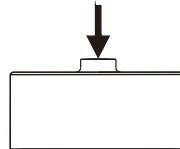
Small overall dimensions, range is big, small deformation, sensor special stainless steel materials. Apply to all sorts of small space in a wide range of load, are widely used in industry, research and development, manufacturing automation, etc. Measurement and control.

安装尺寸/Mounting Dimension

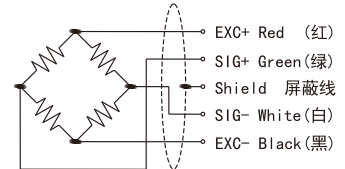


量程(KN)	A	B	C	D
10,20	15.9	13.4	16.5	100
50,75	22.4	20.4	22.4	100
100,150	31.8	28.9	28.7	125

受力方式/Load Direction



接线图/Wiring



技术参数/Technical Parameters

参数	Specifications	技术指标/Technique
传感器量程	Rated load	10, 20, 50, 75, 100, 150KN
综合误差	Comprehensive error	≤ ±0.5%
非线性	Non-linearity	0.5%
灵敏度	Rated output	2.0 ± 15% mV/V
蠕变	Creep	±0.5% F.S. / 30min
零点输出	Zero balance	±0.05% F.S.
输入阻抗	Input resistance	380 ± 20 Ω
输出阻抗	Output resistance	350 ± 10 Ω
绝缘电阻	Insulation resistance	≥ 5000 MΩ / 100VDC
灵敏度温度影响	Temp. effect on span	±0.05% F.S. / 10°C
零点温度影响	Temp. effect on zero	±0.05% F.S. / 10°C
温度补偿范围	Compensated temp range	-10 ~ 60°C
使用温度范围	Use temp range	-20 ~ 80°C
激励电压	Excitation voltage	5 ~ 15V
安全过载范围	Safe overload	200% F.S.
极限过载范围	Ultimate overload	300% F.S.
防护等级	Defend grade	Ip65